



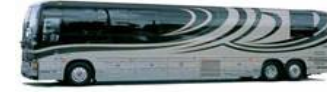
XLII SHELL



REV.	DATE	O.C.	EFF.	DESCRIPTION	PAGE(S)	BY	CK.	APPR.
0	2006-06-01	2006002		6-9010, 6-9024, EFF : 7-9096 -		PGAG	DGRA	DGRA
01	20/9/2006	2006002		General Review for production	0, 1.1, 10.1, 11.1, 12.1, 14.1, 16.1, 18.1, 18.2, 19.1, 2.1, 20.1, 24.1, 24.2, 25.1, 26.1, 26.2, 26.3, 26.4, 3.1, 3.2, 4.1, 5.1, 8.1, 9.1, C3., C3, C3, E, F, G, H, J, K, L	PGAG	DGRA	DGRA
02	12/04/2006	2006002	7-9096	General Review	1., 0, B,	PGAG	DGRA	DGRA
03	12/05/2006	2006002	7-9096	General Review	0, 10.1, 14.1, 15.1, 16.1, 18.1, 18.2, 19.1, 2.1, 20.1, 24.1, 24.2, 25.1, 26.1, 26.2, 26.3, 27.1, 29.1, 3.1, 3.2, 3.3, 31.1, 4.1, 5.1, 7.1, 8.1	PGAG	DGRA	DGRA
04	19/6/2007	2005002	8-9277	COOLING 2007, ESP	0, 2.1, 3.1, 3.2, 3.3, 30.1, 4.1, 5.1, 6.1, 6.2, 12.1, 14.1, 15.1, 16.1, 16.2, A, B1, B2, B3, C1, C3, E, F, G, H, J, K, L,	SLEB	DGRA	DGRA
05	30/08/2007	N/A	8-9308	CB60+CB61 For Lugg. Door Lock Pages Correction Update	0,F,L,5,1 C1,18,1,26,3	ELAN	CLEM	CLEM
06	2007-10-02		8-9346	Pages Updated	A,F,L,4,1	ELAN	CLEM	CLEM
07	2008-09-01	2006025	8-9422	Introduction of Control on Steering Wheel and TPMS	10.1, 12.1, 13.1, 14.1, 14.2, 15.1, 18.1, 19.1, 2.1, 21.1, 22.1, 24.2, 26.3, 3.2, 30.1, 31.1, 32.1, 33.1, 34.1, 4.1, 5.1, 6.1, 7.1, 8.1, 9.1, B1, B2, B3, E, F, G, H, J, K, L, A,	PGAG	CLEM	CLEM
08	2008-04-15	2007097	8-9470	Pages Updated	0, 3.1	ELAN	CLEM	CLEM
09	2008-07-17	2007087	8-9600	Automatic Fire Suppression System	2.1, 3.3, 9.1, 14.1, 35.1	ELAN	DGRA	DGRA
10	2009-04-28	2007120	9-9818	Brushless Axial Condensor Fans	0, B3, C1, F, H, K, 2.1, 3.1, 18.2	ELAN	CLEM	CLEM



XIII SHFTI



REV.	DATE	O.C.	EFF.	DESCRIPTION	PAGE(S)	BY	CK.	APPR.
11	2009-02-07	2008058 2009046 2009043		MIRROR LED, SNOW MUD, ENTER DOOR	16.1, 2.1, 21.1, 29.1, 4.1, 0, 22.1, 26.1 19.1	EOUE SDEB SBEL	DGRA	DGRA
12	2010-03-31	N/A		Configuration on starter Melco	3.2	MPOU	DGRA	CLEM
13	2014-05-12	N/A		Pages Update	3.2, 0	SBEL	CLEM	CLEM

WIRING DIAGRAM INDEX

Information Pages

Multiplexed Devices Index	B1 – B8
Arrangement – Harness	C1
Glossary	D
Circuit Number Listing	E
Circuit Breaker code	F
Connectors code	G
Diode Number Code	H
Resistors Number Code	J
Fuses Code	L
Relay Code	K

Functions

A	
Abs	16.1
B	
Back-up Lights and Alarm	26.3
Battery and Equalizer	1.1
Brake Pedal Sensor	12.1
C	
Charging System	3.2
Cigar Lighter	30.1
Clearance lights rear & front	26.1,26.2
Converter Interface	21.1
Cluster	10.1
Cornering Lights	26.3
Cruise Control	14.1
D	
Dash Lights	19.1
Differential Lock	23.1
Docking Lights	26.3
Driver's Light and Backlight	19.1
Driver's Power Window	30.1
Driver's Seat	17.1
E	
Engine Brake and Retarder	12.1
Engine Cmpt. Lighting	25.1
Engine Start	3.2
Engine ECM	14.1

Engine Override	14.1
Entrance door	29.1
Ether Switch	13.1
Engine Bloc Heater	11.1

F

Fast Idle	14.1
Fire Alarm	9.1
Flashers	26.1,26.2
Fog Lights	26.3
Fuel Sender	10.1
Fuel Prime Pump	13.1
Fuel Water Filter	13.1

G

Ground	2.1
--------	-----

H

Hazard	26.1
Head Lights	26.1
Horn	9.1
Hostess Chime	22.1
Hvac Driver's Area	18.1
Hvac Passenger	18.2

K

Keyless Keypad	29.1
----------------	------

L

Level Low	28.1
Luggage Cmpt. Lighting	25.1
Luggage Door Lock/Unlock	24.2
Luggage Door Switchs	24.1

M

Main Distribution Ignition & Batt.	3.1
Main Distribution Wake-Up	3.3
Marker Lights	26.1,26.2
Mirror Ramco	22.1
Multiplexing Power	7.1
Multiplexing Network	6.1

N

P

Park Brake Sensor	12.1
-------------------	------

Park Brake Trailer Sensor	12.1
Power Distribution FJB	4.1
Power Distribution RJB	5.1
Power Outlet	30.1
Pre-Heater	17.1
Prime Pump	13.1
Pneumatic Cut-Out Acc.	9.1

R

Radiator Fan Clutch	13.1
Rear Junction Box Fan	11.1

S

Service Brake Relay	12.1
Slide Out	20.1
Spare Wires	8.1
Stop Lights	26.2
Sun Visor	30.1
Steering Control ZF	23.1

T

Tag	28.1
Tail and Licence Lights	26.2
Test Switch	9.1
Transmission ECU	15.1
Trailer Package	26.4

W

Window Ajar and Awning	27.1
Wiper & Washer	31.1

WIRING DIAGRAM INDEX

Information Pages		E	M	T			
Multiplexed Devices Index	B1 - B8	Engine brake and Retarder	12.1	Main Distribution Ignition & Batt.	3.1	Tag	32.1
Arrangement - Harness	C1	Engine compt lighting	25.1	Main Distribution Wake-Up	3.3	Tail and Licence Lights	26.2
NetWork Layout	C3	Engine Start	3.2	Marker Lights	26.1,26.2	Test Switch	9.1
Glossary	D	Engine ECM	14.1	Mirror Ramco	31.1	Transmission ECU	15.1-15.2
Circuit Number Listing	E	Engine Override	14.1	Multiplexing power distribution	7.1	Trailer Package	26.4
Circuit Breaker code	F	Entrance door	29.1	Multiplexing Network	6.1		
Connectors code	G	Ether Switch	13.1				
Diode Number Code	H	Engine bloc heater	11.1				
Resistors Number Code	J			N		W	
Fuses Code	L			Network J1939 and 1587	6.2	Window Ajar &Awning	27.1
Relay Code	K	F				Wiper & Washer	34.1
		Fast Idle	14.1				
Functions		Fire Alarm	9.1	P			
A		Flashers	26.1,26.2	Park Brake Sensor	12.1		
Abs	16.1	Fog lights	26.3	Trailer Brake Sensor	12.1		
Abs-Esp	16.2	Fuel Sender	10.1	Parking Brake Release Switch	32.1		
		Fuel Prime Pump	13.1	Power Distribution FJB	4.1		
		Fuel water Filter	13.1	Power Distribution RJB	5.1		
B				Power Outlet	30.1		
Back-up Camera	28.1			Prime Pump	13.1		
Back-up lights and alarm	26.3	G		Prodriver	11.1		
Battery and Equalizer	1.1	Grounds	2.1	Pneumatic Cut-Out Acc sol	9.1		
Battery Charger	17.1						
Brake	12.1			R			
		H		Radiator Fan Clutch	13.1		
		Hazard	26.1	Rear junction box door fan	11.1		
C		Head Lights	26.1				
Charging System	3.2	Horn	9.1	S			
Clearance lights rear & front	26.1,26.2	Hvac Defroster	18.1	Service Brake Relay	12.1		
Cluster	10.1	Hvac Passenger	18.2	Slide out	23.1		
Converter interface	36.1	Hvac Driver only	18.3	Slide out (single)	23.2		
Cornering Lights	26.3			Slide out (double)	23.3		
Cruise control	14.1	K		Spare Wires	8.1		
		Keyless keypad	29, 0.1	Stop lights	26.2		
D				Sun Visor	30.1		
Dash Lights	19.1	L		Steering Control ZF	37.1		
Differential lock	37.1	Level low	32.1				
Docking Lights	26.3	Luggage compt lighting	25.1				
Driver's Light and Backlight	19.1	Luggage door Lock/Unlock	33.1				
Driver's Power Window	30.1	Luggage door switches	24, 0.1				
Driver's seat	35.2						

WIRING DIAGRAM INDEX

Information Pages		E	M	T			
Multiplexed Devices Index	B1 - B8	Engine brake and Retarder	12,1	Main Distribution Ignition & Batt.	3,1	Tag	28,1
Arrangement - Harness	C1	Engine compt lighting	25,1	Main Distribution Wake-Up	3,3	Tail and Licence Lights	26,2
NetWork Layout	C3	Engine Start	3,2	Marker Lights	26.1,26.2	Test Switch	9,1
Glossary	D	Engine ECM	14,1	Mirror Ramco	22,1	Transmission ECU	15.1-15.2
Circuit Number Listing	E	Engine Override	14,1	Multiplexing power distribution	7,1	Trailer Package	26,4
Circuit Breaker code	F	Entrance door	29,1	Multiplexing Network	6,1		
Connectors code	G	Ether Switch	13,1			W	
Diode Number Code	H	Engine bloc heater	11,1			Window Ajar &Awning	27,1
Resistors Number Code	J			N		Wiper & Washer	31,1
Fuses Code	L			Network J1939 and 1587	6,2		
Relay Code	K	F					
		Fast Idle	14,1				
		Fire Alarm	9,1	P			
		Flashers	26.1,26.2	Park Brake Sensor	12,1		
		Fog lights	26,3	Trailer Brake Sensor	12,1		
A		Fuel Sender	10,1	Parking Brake Release Switch	32,1		
Abs	16,1	Fuel Prime Pump	13,1	Power Distribution FJB	4,1		
Abs-Esp	16,2	Fuel water Filter	13,1	Power Distribution RJB	5,1		
				Power Outlet	30,1		
				Prime Pump	13,1		
B				Prodriver	11,1		
Back-up lights and alarm	26,3	G		Pneumatic Cut-Out Acc sol	9,1		
Battery and Equalizer	1,1	Grounds	2,1				
Battery Charger	17,1						
Brake	12,1	H		R			
		Hazard	26,1	Radiator Fan Clutch	13,1		
		Head Lights	26,1	Rear junction box door fan	11,1		
C		Horn	9,1				
Charging System	3,2	Hvac Defroster	18,1	S			
Clearance lights rear & front	26.1,26.2	Hvac Passenger	18,2	Service Brake Relay	12,1		
Cluster	10,1	Hvac Driver only	18,3	Slide out	23,1		
Converter interface	36,1			Slide out (single)	23,2		
Cornering Lights	26,3	K		Slide out (double)	23,3		
Cruise control	14,1	Keyless keypad	29, 0.1	Spare Wires	8,1		
				Stop lights	26,2		
D				Sun Visor	30,1		
Dash Lights	19,1	L		Steering Control ZF	37,1		
Differential lock	37,1	Level low	28,1				
Docking Lights	26,3	Luggage compt lighting	25,1				
Driver's Light and Backlight	19,1	Luggage door Lock/Unlock	33,1				
Driver's Power Window	30,1	Luggage door switches	24, 0.1				
Driver's seat	35,2						

WIRING DIAGRAM PAGES LIST

Information pages		C		H		S	
Multiplex output list	B1	Charging System	3.2	Hazard	26.1	Service Brake Relay	12.1
Multiplex input list	B2	Clearance lights rear & front	26.1,26.2	Head Lights	26.1	Slide out	20.1
Multiplex error messages list	B3	Cluster	10.1	Horn	9.1	Spare Wires	8.1
Arrangement - Harness	C1	Cornering Lights (Optional)	26.3	Hvac Defroster	18.1	Stop lights	26.2
Can Configuration	C3	Cruise control	14.1	Hvac Passenger	18.2	Sun Visor	30.1
Glossary	D	Converter interface	21.1	Hvac Driver only	18.3	Steering Control ZF	37.1
Circuit Number Listing	E					Steering Wheel Control	32.1
Circuit Breaker code	F	D		J			
Connectors code	G	Dash Lights	19.1	J1939 and 1587 Network	6.2		
Diode Number Code	H	Differential lock	23.1				
Resistors Number Code	J	Docking Lights	26.3	K			
Fuses Code	L	Driver's Light and Backlight	19.1	Keyless keypad	29.1		
Relay Code	K	Driver's Power Window	30.1			T	
Multiplex Output List	B1	Driver's seat	17.1	L		Tag	28.1
Multiplex Input List	B2			Level low	28.1	Tail and Licence Lights	26.2
Multiplex error Messages List	B3	E		Luggage compt lighting	25.1	Test Switch	9.1
		Engine brake and Retarder	12.1	Luggage door Lock/Unlock	24.2	Transmission ECU	15.1-15.2
		Engine compt lighting	25.1	Luggage door switches	24.1	Trailer Package	26.4
		Engine Start	3.2			Tire Pressure Monitoring Sys.	33.1
		Engine ECM	14.1	M			
		Engine Override	14.1	Main Distribution Ignition & Batt.	3.1		
A		Entrance door	29.1	Main Distribution Wake-Up	3.3		
Abs	16.1	Ether Switch	13.1	Marker Lights	26.1,26.	W	
Abs-Esp	16.2	Engine bloc heater	11.1	Mirror Ramco	22.1	Window Ajar &Awning	27.1
		Engine Volvo	14.2	Multiplexing Power	7.1	Wiper & Washer	31.1
B				Multiplexing Network	6.1		
Back-up Camera	28.1						
Back-up lights and alarm	26.3			P			
Battery and Equalizer	1.1	F		Park Brake Sensor	12.1		
Battery Charger	17.1	Fast Idle	14.1	Trailer Brake Sensor	12.1		
Brake Pedal Sensor	12.1	Fire Alarm	9.1	Power Distribution FJB	4.1		
		Flashers	26.1,26.2	Power Distribution RJB	5.1		
		Fog lights	26.3	Power Outlet	30.1		
		Fuel Sender	10.1	Prime Pump	13.1		
		Fuel Prime Pump	13.1	Prodriver	11.1		
		Fuel water Filter	13.1	Pneumatic Cut-Out Acc sol	9.1		
		G		R			
		Grounds	2.1	Radiator Fan Clutch	13.1		
				Rear junction box door fan	11.1		

MULTIPLEX DEVICES LIST

Device ID	Description	Name	Module ID	Module Pin#	Page
A24	Driver Defroster Fan Motor	O_DrvDefFanMo	A47	J1:1	18.1
A30	Passenger defrost fan speed control	O_RHDefrostFan	A47	J1:7	18.1
A31	Keyless door unlock signal	I_KeylessDrUnl	A41	J1:4	29.1
A31		I_KeylessEntReq	A41	J1:21	29.1
A31	Keyless intrusion signal	I_KeylessIntru	A41	J1:7	29.1
A31	Keyless lock all doors signal	I_KeylessLockAll	A41	J1:19	29.1
A31	Keyless luggages doors unlock signal	I_KeylessLuggUnl	A41	J1:18	29.1
A31	Keyless panic button signal	I_KeylessPanic	A41	J1:6	29.1
A31		I_KeylessPanic2	A41	J1:1	29.1
A31		O_KeylessPwr	A44	J1:6	29.1
A36		O_WakeUpA41	A41	J1:16	9.1
A41	Wake up signal (Fire alarm, horn, keyless module)	I_WakeUp	A36	JB:5	9.1
A8	Check Engine Signal	I_ChkEngSe	A42	J1:10	14.1
A8	Stop Engine Sensor	I_StopEngSe	A42	J1:9	14.1
A9	Signal Abs Warning from ABS Module	I_AbsSignalWrn	A36	JB:16	16.1
C360	Backup Monitor Signal	O_BackUpMon	A44	J1:7	
CC2		O_VehicleSpeed	A36	JA:19	21.1
L16	Driver Light Bulb	O_DriverLtLb	A47	J1:6	19.1
L17	Entrance Door Light Bulb	O_EntDorLtLb	A47	J1:8	29.1
L176-L177-L178-L179-L180-L181-L182-L183-L287-L288	Under Floor Light Bulb	O_UdrFirLb	A46	J1:20	25.1
L18-L19-L211	Entrance Door Step Light Bulb	O_EntDorStpLb	A47	J1:5	29.1
L203	Driver Recycle Trap	O_DrvRecTrap	A47	J1:2	18.1
L205	A/C Pass. Gaz Cylinder Recycle	O_ACRecPass	A54	J1:20	18.2
L21-L22-L23-L24-L25-L26-L27	Front Clearance Lights Bulb	O_FrClearLb	A44	J1:8	26.1
L59	Right Hand Hi Beam Light Bulb	O_RHHiBeamLb	A48	J1:3	26.1
L59	Right Hand Low Beam Light Bulb	O_RHLwBeamLb	A48	J1:4	26.1
L60	Left Hand Hi Beam Light Bulb	O_LHHiBmLb	A45	J1:6	26.1
L60	Left Hand Low Beam Light Bulb	O_LHLwBmLb	A45	J1:7	26.1
L61	Right Hand Front Flasher Light Bulb	O_RHFrFishLb	A48	J1:6	26.1
L61	Right Hand Front Markers Light Bulb	O_RHFrMrkLb	A48	J1:7	26.1
L62-L65	Left Hand Front Markers Light Bulb	O_LHFrMkrLb	A45	J1:21	26.1
L62-L66	Left Hand Front Flasher Light Bulb	O_LHFrFishLb	A45	J1:3	26.1
L64	RH Front Side Flasher L-Bulb	O_RHFrSidFishLb	A48	J1:20	26.1
L95	Left Hand Fog Light Bulb	O_LHFogLb	A45	J1:4	26.3
L95	Right Hand Fog Light	O_RHFogLb	A48	J1:8	26.3
L97	Left Hand Cornering Light Bulb	O_LHCornerLb	A45	J1:5	26.3
L98	Right Hand Cornering Light Bulb	O_RHCornerLb	A48	J1:5	26.3
Mo12	Hvac Water Pump	O_ACWaterPmp	A54	J1:4	18.2
Mo19-Mo20	Lower Wiper Washer Pump	O_LwWshPmp	A46	J1:3	31.1
Mo26	Entrance door lock motor	O_DoorLockMo	A48	J1:2	29.1
Mo26	Entrance door unlock motor	O_DoorUnlockMo	A48	J1:1	29.1
Mo3	Dash Trap Motor Return	O_DashTrapNMo	A44	J1:2	18.1
Mo3	Dash Trap Motor	O_DashTrapPMo	A44	J1:1	18.1

MULTIPLEX DEVICES LIST

Device ID	Description	Name	Module ID	Module Pin#	Page
Mo4A	Foot Trap Solenoid	O_FootTrpPSol	A45	J1:1	18.1
Mo4B	Foot Trap Solenoid	O_FootTrpNSol	A45	J1:2	18.1
Mo50	Auxiliary water pump	O_AuxWaterPump	A47	J1:20	18.1
Mo53	Hvac Passenger Heat Led	O_RJBFanMo	A46	J1:7	11.1
Mo9	Evaporator Fan Speed 2	O_EvaSpd2Rel	A54	J1:2	18.2
Pot1	Dash BackLighting	O_DashBackLit	A44	J1:20	19.1
R1		O_MasterRlyLatch	A36	JA:14	
R10	Condensor Fan Speed 1 Relay	O_CndSpd1Rel	A54	J1:5	18.2
R12	Evaporator Fan Speed 1 Relay	O_EvaSpd1Rel	A54	J1:7	18.2
R16	Flasher Audible Relay	O_FlshAudiRel	A45	J1:8	26.1
R17-R18-R19	WakeUp Relay	O_WakeUp	A36	JA:15	3.3
R21	Emergency CutOut Relay	O_CutOutRel	A36	JA:24	3.2
R23	Lower Wiper Speed 1	O_LwWipSpd1	A47	J1:3	31.1
R30-R31	Luggages doors locks relays	O_DrLockRly	A36	JA:7	24.2
R32-R33	Luggages doors unlocks relays	O_DrUnlockRly	A36	JA:6	24.2
R9	Condensor Fan Speed 2 Relay	O_CndSpd2Rel	A54	J1:1	18.2
Se17	Entrance Door Open Sensor	I_EntDorOpSe	A41	J1:5	29.1
Se18	Paking Brake Sensor	I_ParkBrSe	A36	JB:9	12.1
Se19	Brake Lights Sensor	I_BrkLtSeFrSig	A36	JB:13	12.1
Se21	Driver Temperature sensor	I_DrvTempSe	A46	J1:13	18.1
Se25	Passenger temperature sensor	I_PassTempSe	A54	J1:13	18.2
Se45		I_WipWshLowLvl	A42	J1:17	31.1
Se46		I_TrailerPrkBkSe	A42	J1:1	12.1
Se52	Coil sensing thermostat	I_CoilTherSe	A47	J1:11	18.1
So11	Passenger Refrigerent Solenoid	O_PasRfgSol	A54	J1:3	18.2
So13	Passenger Heat Solenoid Valve	O_PasHeatSol	A54	J1:8	18.2
So7	Driver refrigerent solenoid	O_DrvRfgSol	A46	J1:5	18.1
So8	Driver Heat Solenoid	O_DrvHeatSol	A46	J1:6	18.1
Sw1	Lower Wiper Intermitant Switch	I_LwWipIntSw	A42	J1:8	31.1
Sw1	Courtesy Blink Switch	I_BlinkSw	A43	J1:20	26.1
Sw1	Head Lights High and Low Beam Switch	I_HdLthiLowBmSw	A43	J1:8	26.1
Sw1	Left Hand Flasher Switch	I_LHFishSw	A45	J1:9	26.1
Sw1	Lower Wiper Washer Switch	I_LwWshSw	A46	J1:9	31.1
Sw1	Right Hand Flasher Switch	I_RHFishSw	A48	J1:12	26.1
Sw102	Low docking lights switch	I_LowDockLtsSw	A43	J1:5	26.3
Sw103	Reverse alarm switch	I_RevAlrmSw	A43	J1:6	26.3
Sw104	VIP Entrance Door Lock Switch	I_EntDorLockSw	A41	J1:9	29.1
Sw104	Entrance door unlock switch	I_EntDrUnlockSw	A41	J1:8	29.1
Sw104	Entrance door unlock switch	I_EntDrUnSw	A48	J1:9	29.1
Sw119	Back up camera switch	I_BackUpCamSw	A42	J1:6	
Sw122	Passenger defrost speed increase switch	I_DefrostHighSw	A47	J1:10	18.1
Sw122	Passenger defrost speed decrease switch	I_DefrostLowSw	A47	J1:12	18.1
Sw13		I_InoutTest	A36	JB:11	9.1

MULTIPLEX DEVICES LIST

Device ID	Description	Name	Module ID	Module Pin#	Page
Sw14	Fast Idle Switch	I_FastIdleSw	A44	J1:11	14.1
Sw18	Luggage Door Lock Switch	I_LugDorLkSw	A41	J1:17	24.2
Sw18	Luggage Door Unlock Switch	I_LugDorULkSw	A41	J1:20	24.2
Sw2	Head Light Switch Position Markers	I_HdLtPos1Sw	A43	J1:4	26.1
Sw2	Hi/Low Beam Switch	I_HiBeamCallSw	A43	J1:3	26.1
Sw2	Head Light Switch Beam Position 2 LH	I_HdLtPos2SwLH	A45	J1:12	26.1
Sw2	Head Light Switch Beam Position 2 RH	I_HdLtPos2SwRH	A48	J1:10	26.1
Sw22	Radiator Fan Switch	I_EngFanSw	A36	JB:14	13.1
Sw22		I_EngFanSw2	A36	JB:1	
Sw23	Ether Switch	I_EtherSw	A42	J1:5	13.1
Sw24	Driver Light Switch	I_DrvLtSw	A41	J1:2	19.1
Sw3	Fog Lights Switch	I_FogLightSw	A43	J1:10	26.3
Sw35	Cruise Control Enable Switch	I_CruiseEnSw	A42	J1:3	14.1
Sw4	Hazard Switch	I_HazardSw	A36	JB:4	26.1
Sw40		I_TrailerPrkBkSw	A42	J1:4	12.1
Sw44	Front Junction Box Door Open	I_FJBLtSw	A43	J1:17	25.1
Sw82	Rear Junction Box CutOut Switch	I_RrCutOutSw	A36	JB:21	3.2
Sw83	Accessories Key switch	I_AccKeySw	A36	JB:6	3.2
Sw83	Front Engine Start Switch	I_FrEngStaSw	A36	JB:22	3.2
Sw83	Ignition Key switch	I_IgnKeySw	A36	JB:2	3.2
Sw99	Cornering Light Switch	I_CorneringLtSw	A43	J1:21	26.3
Sw99	Docking Lights Switch	I_DockingLtSw	A43	J1:7	26.3
		I_BatMonMod41	A41	J1:24	6.1
		I_BatMonMod42	A42	J1:24	6.1
		I_HeadLmpWshSw	A42	J1:18	31.1
		I_BatMonMod43	A43	J1:24	6.1
		I_BatMonMod44	A44	J1:24	6.1
		I_BatMonMod45	A45	J1:24	6.1
		I_BatMonMod46	A46	J1:24	6.1
		O_HeadLmpWshMo	A46	J1:21	31.1
		I_BatMonMod47	A47	J1:24	6.1
		I_BatMonMod48	A48	J1:24	6.1
		I_BatMonMod54	A54	J1:24	6.1

MULTIPLEX OUTPUT LIST

O_xx... = Physical Output Pin ; I_xx... = Physical Input Pin ; D_xx... = CAN Network Signal from the HVAC control Head ; B_xx.. = Multiplex system global Network Variable

Module.Pin#	Signal name	Description	Page	Connected devices	Input involved		
	O_FrClearLb	Front Clearance Lights Bulb			B_BatterySaver	.	
					B_BatterySaver	.	
					B_BatterySaver	.	
					B_BatterySaver	.	
					B_BatterySaver	.	
					B_BatterySaver	.	
					B_BatterySaver	.	
					B_BatterySaver	.	
					B_BatterySaver	.	
					B_BatterySaver	.	
					B_EngineRun	.	
					B_EngineRun	.	
					B_EngineRun	.	
					B_EngineRun	.	
					B_EngineRun	.	
					B_EngineRun	.	
					B_OneAltCharging	.	
					B_TstModExtLight	.	
					B_TstModExtLight	.	
					B_TstModExtLight	.	
					B_TstModExtLight	.	
					B_TstModExtLight	.	
					B_TstModExtLight	.	
					B_TstModExtLight	.	
					D_OnOffDrvSw	.	
					I_AccKeySw	.	
					I_AccKeySw	.	
					I_AccKeySw	.	
					I_AccKeySw	.	
					I_AccKeySw	.	
					I_AccKeySw	.	
					I_AccKeySw	.	
					I_AccKeySw	.	
					I_BackUpCamSw	.	
					I_BatMonMod56	A56.J1:24	6.1
					I_BatMonMod56	A56.J1:24	6.1
					I_BatMonMod57	A57.J1:24	6.1
					I_BatMonMod57	A57.J1:24	6.1
					I_BlinkSw	.	
					I_BlinkSw	.	
					I_CorneringLtSw	.	
					I_DrvLtSw	.	
					I_EntDorLockSw	.	
					I_EntDorOpSe	.	
					I_EntDrUnlockSw	.	

MULTIPLEX OUTPUT LIST

O_xx... = Physical Output Pin ; I_xx... = Physical Input Pin ; D_xx... = CAN Network Signal from the HVAC control Head ; B_xx.. = Multiplex system global Network Variable

Module.Pin#	Signal name	Description	Page	Connected devices	Input involved
	O_DrLockRly	Luggages doors locks relays			I_EntDrUnlockSw .
					I_EntDrUnlockSw .
					I_EntDrUnlockSw .
					I_EntDrUnlockSw .
					I_FireExt1stAlm .
					I_FireExt2ndAlm .
					I_FireExt2ndAlm .
					I_FireSensorA36 .
					I_FireSensorA36 .
					I_FogLightSw .
					I_FrontOutTemp .
					I_FrontOutTemp A47.J1:14 18.1
					I_HazardSw .
					I_HazardSw .
					I_HazardSw .
					I_HazardSw .
					I_HazardSw .
					I_HazardSw .
					I_HdLtHiLowBmSw .
					I_HdLtPos1Sw .
					I_HdLtPos1Sw .
					I_HdLtPos1Sw .
					I_HdLtPos2SwLH .
					I_HdLtPos2SwLH .
					I_HdLtPos2SwLH .
					I_HdLtPos2SwLH .
					I_HdLtPos2SwLH .
					I_HeadLmpWshSw .
					I_HiBeamCallSw .
					I_HornSw .
					I_HornSw .
					I_IgnKeySw .
					I_IgnKeySw .
					I_IgnKeySw .
					I_IgnKeySw .
					I_IgnKeySw .
					I_IgnKeySw .
					I_IgnKeySw .
					I_IgnKeySw .
					I_IgnKeySw .
					I_IgnKeySw .
					I_IgnKeySw .
					I_IgnKeySw .
					I_IgnKeySw .
					I_IgnKeySw .
					I_KeylessDrUnl .
					I_KeylessDrUnl .

MULTIPLEX OUTPUT LIST

O_xx... = Physical Output Pin ; I_xx... = Physical Input Pin ; D_xx... = CAN Network Signal from the HVAC control Head ; B_xx.. = Multiplex system global Network Variable

Module.Pin#	Signal name	Description	Page	Connected devices	Input involved	
	O_WakeUpA41	Electric Horn			I_KeylessEntReq	.
					I_KeylessIntru	.
					I_KeylessIntru	.
					I_KeylessIntru	.
					I_KeylessLockAll	.
					I_KeylessLockAll	.
					I_KeylessLockAll	.
					I_KeylessLuggUni	.
					I_KeylessLuggUni	.
					I_KeylessLuggUni	.
					I_KeylessPanic	.
					I_KeylessPanic	.
					I_LHFishSw	.
					I_LHFishSw	.
					I_LHFishSw	.
					I_LHFishSwRrSig	A51.J1:9 26.2
					I_LHFishSwRrSig	A51.J1:9 26.2
					I_LugDorLkSw	.
					I_LugDorLkSw	.
					I_LugDorLkSw	.
					I_LugDorULkSw	.
					I_LugDorULkSw	.
					I_LwWshSw	.
					I_OutDoorTempSe	A54.J1:14 18.1
					I_OutDoorTempSe	A54.J1:14 18.1
					I_RHFishSw	A48.J1:12 26.1
					I_RHFishSwRrSig	A51.J1:12 26.2
					I_RHFishSwRrSig	A51.J1:12 26.2
					I_RrCutOutSw	.
					I_RrCutOutSw	.
					I_RrCutOutSw	.
					I_RrCutOutSw	.
					I_RrCutOutSw	.
					I_RrCutOutSw	.
					I_SldO1CloseSw	A56.J1:10 20.1
					I_SldO1CloseSw	A56.J1:10 20.1
					I_SldO1LimiOutSw	A56.J1:14 20.1
					I_SldO1LimiOutSw	A56.J1:14 20.1
					I_SldO1LimitInSe	A56.J1:11 20.1
					I_SldO1LimitInSe	A56.J1:11 20.1
					I_SldO1OpenSw	A56.J1:9 20.1
					I_SldO1OpenSw	A56.J1:9 20.1
					I_SldO1PBrakeSw	A56.J1:12 20.1

MULTIPLEX OUTPUT LIST

O_xx... = Physical Output Pin ; I_xx... = Physical Input Pin ; D_xx... = CAN Network Signal from the HVAC control Head ; B_xx.. = Multiplex system global Network Variable

Module.Pin#	Signal name	Description	Page	Connected devices	Input involved		
	O_SldO1MotOut	Front Slide Out extending			I_SldO1PBrakeSw	A56.J1:12	20.1
					I_SldO1VacPrSe	A56.J1:13	20.1
					I_SldO1VacPrSe	A56.J1:13	20.1
					I_SldO1VacPrSe	A56.J1:13	20.1
					I_SldO1VacPrSe	A56.J1:13	20.1
					I_SldO2CloseSw	A57.J1:10	20.1
					I_SldO2CloseSw	A57.J1:10	20.1
					I_SldO2LimiOutSw	A57.J1:14	20.1
					I_SldO2LimiOutSw	A57.J1:14	20.1
					I_SldO2LimitInSe	A57.J1:11	20.1
					I_SldO2LimitInSe	A57.J1:11	20.1
					I_SldO2OpenSw	A57.J1:9	20.1
					I_SldO2OpenSw	A57.J1:9	20.1
					I_SldO2PBrakeSw	A57.J1:12	20.1
					I_SldO2PBrakeSw	A57.J1:12	20.1
					I_UpperDefFanSw	.	
					I_UpperDefFanSw	.	
					I_WakeUp	.	
					I_WakeUp	.	
					I_WakeUp	.	
I_WakeUp	.						
I_WakeUp	.						
A47.J1:2	O_DrvRecTrap	Driver Recycle Trap	18.1	L203:A	B_BatterySaver	.	
					B_EngineRun	.	
					B_TestMode	.	
					B_TstModHvac	.	
					D_OnOffDrvSw	.	
					D_RecSw	.	
A47.J1:20	O_AuxWaterPump	Auxiliary water pump	18.1		B_BatterySaver	.	
					B_EngineRun	.	
					B_OneAltCharging	.	
					B_TestMode	.	
					D_DriverSetPts	.	
					D_DrvFnSpdBit0	.	
					D_DrvFnSpdBit1	.	
					D_DrvFnSpdBit2	.	
					D_OnOffDrvSw	.	
					I_FrontOutTemp	A47.J1:14	18.1
					I_OutDoorTempSe	A54.J1:14	18.1
A47.J1:3	O_LwWipSpd1	Lower Wiper Speed 1	31.1	R23:86	B_BatterySaver	.	
					I_LwWipIntSw	.	
					I_LwWshSw	.	
A47.J1:5	O_EntDorStnl h	Entrance Door Step Light	29.1	I18 A:1	I_AccKevSw	.	

MULTIPLEX OUTPUT LIST

O_xx... = Physical Output Pin ; I_xx... = Physical Input Pin ; D_xx... = CAN Network Signal from the HVAC control Head ; B_xx.. = Multiplex system global Network Variable

Module.Pin#	Signal name	Description	Page	Connected devices	Input involved
A47.J1:5	O_EntDorStpLb	Entrance Door Step Light Bulb	29.1	L18.A:1	I_EntDorOpSe . I_EntDrUnlockSw . I_HazardSw . I_IgnKeySw . I_KeylessDrUnl . I_KeylessLuggUnl . I_LugDorLkSw . I_RrCutOutSw . I_WakeUp .
A47.J1:6	O_DriverLtLb	Driver Light Bulb	19.1	L16:1	B_BatterySaver . I_DrvLtSw .
A48.J1:1	O_DoorUnlockMo	Entrance door unlock motor	29.1	Mo26:A	I_AccKeySw . I_EntDorOpSe . I_EntDrUnlockSw . I_EntDrUnSw A48.J1:9 29.1 I_HazardSw . I_IgnKeySw . I_KeylessDrUnl . I_RrCutOutSw . I_WakeUp .
A48.J1:2	O_DoorLockMo	Entrance door lock motor	29.1	Mo26:B	I_AccKeySw . I_EntDorLockSw . I_EntDorOpSe . I_EntDrUnlockSw . I_HazardSw . I_IgnKeySw . I_KeylessLockAll . I_RrCutOutSw . I_WakeUp .
A48.J1:20	O_RHFrSidFishLb	RH Front Side Flasher L-Bulb	26.1	L64:1	B_BatterySaver . B_TstModExtLight . I_LHFishSwRrSig A51.J1:9 26.2 I_RHFishSw A48.J1:12 26.1 I_RHFishSwRrSig A51.J1:12 26.2
A48.J1:3	O_RHHiBeamLb	Right Hand Hi Beam Light Bulb	26.1	L57.B:1, L59.B:1	B_BatterySaver . B_EngineRun . B_OneAltCharging . B_TstModExtLight . I_HdLthiLowBmSw . I_HdLtPos2SwLH . I_HiBeamCallSw .
A48.J1:4	O_RHLwBeamLb	Right Hand Low Beam Light Bulb	26.1	L57.A:B, L59.A:1	B_BatterySaver . B_TstModExtLight .

MULTIPLEX OUTPUT LIST

O_xx... = Physical Output Pin ; I_xx... = Physical Input Pin ; D_xx... = CAN Network Signal from the HVAC control Head ; B_xx.. = Multiplex system global Network Variable

Module.Pin#	Signal name	Description	Page	Connected devices	Input involved		
A48.J1:4	O_RHLwBeamL	Right Hand Low Beam Light Bulb	26.1	L57.A:B, L59.A:1	I_HdLtPos2SwRH	A48.J1:10	26.1
A48.J1:5	O_RHCornerLb	Right Hand Cornering Light Bulb	26.3	L98.A:1	B_BatterySaver	.	
					B_TstModExtLight	.	
					I_CorneringLtSw	.	
					I_RHFishSw	A48.J1:12	26.1
A48.J1:6	O_RHFrFishLb	Right Hand Front Flasher Light Bulb	26.1	L61:3	B_BatterySaver	.	
					B_TstModExtLight	.	
					I_LHFishSwRrSig	A51.J1:9	26.2
					I_RHFishSw	A48.J1:12	26.1
					I_RHFishSwRrSig	A51.J1:12	26.2
A48.J1:7	O_RHFrMrkLb	Right Hand Front Markers Light Bulb	26.1		B_BatterySaver	.	
					B_TstModExtLight	.	
					I_BlinkSw	.	
					I_HdLtPos1Sw	.	
					I_HdLtPos2SwLH	.	
					I_KeylessIntru	.	
					I_KeylessPanic	.	
A50.J1:2	O_TransInhibit	Transmission Inhibit	15.1	A1:1	I_SldO1LimitInSe	A56.J1:11	20.1
					I_SldO1PBrakeSw	A56.J1:12	20.1
					I_SldO2LimitInSe	A57.J1:11	20.1
					I_SldO2PBrakeSw	A57.J1:12	20.1
A50.J1:20	O_RevAlarm	Back up alarm	26.3	L187:A	B_BatterySaver	.	
					B_EngineRun	.	
					B_TestMode	.	
					B_TestSwBuz2	.	
					B_TestSwBuzzer	.	
					B_TstModExtLight	.	
					B_TstModHvacNext	.	
					B_TstModSACNext	.	
					B_TstSwBuz3	.	
A50.J1:3	O_RevLbBuz	Reverse Alarm and Light Bulb	26.3		B_BatterySaver	.	
					B_EngineRun	.	
					B_TestMode	.	
					B_TestSwBuz2	.	
					B_TestSwBuzzer	.	
					B_TstModExtLight	.	
					B_TstModHvacNext	.	
					B_TstModSACNext	.	
					B_TstSwBuz3	.	
					I_RevAlrmSw	.	
A50.J1:4	O_ReClearLb	Rear Clearance Light Bulb	26.2		B_BatterySaver	.	
					B_TstModExtLight	.	
					I_BlinkSw	.	

MULTIPLEX OUTPUT LIST

O_xx... = Physical Output Pin ; I_xx... = Physical Input Pin ; D_xx... = CAN Network Signal from the HVAC control Head ; B_xx.. = Multiplex system global Network Variable

Module.Pin#	Signal name	Description	Page	Connected devices	Input involved		
A50.J1:4	O_ReClearLb	Rear Clearance Light Bulb	26.2		I_HdLtPos1Sw	.	
					I_HdLtPos2SwLH	.	
A50.J1:5	O_LHCtrFishLb	Water Filter Indicator Warning	26.2		B_BatterySaver	.	
					B_TstModExtLight	.	
					I_LHFishSwRrSig	A51.J1:9	26.2
					I_RHFishSwRrSig	A51.J1:12	26.2
A50.J1:7	O_RHCtrFishLb	Wheel Chair Lift Warning Indicator	26.2		B_BatterySaver	.	
					B_TstModExtLight	.	
					I_LHFishSwRrSig	A51.J1:9	26.2
					I_RHFishSwRrSig	A51.J1:12	26.2
A50.J1:8	O_CtrSdMrkLb	Tag Axle Warning Indicator	26.2		B_BatterySaver	.	
					B_TstModExtLight	.	
					I_BlinkSw	.	
					I_HdLtPos1Sw	.	
					I_HdLtPos2SwLH	.	
A51.J1:21	O_LHReFishLb	Left Hand Rear Flasher Light Bulb			B_BatterySaver	.	
					B_TstModExtLight	.	
					I_LHFishSwRrSig	A51.J1:9	26.2
					I_RHFishSwRrSig	A51.J1:12	26.2
A51.J1:3	O_RHReFishLb	Right Hand Rear Flasher Light Bulb			B_BatterySaver	.	
					B_TstModExtLight	.	
					I_LHFishSwRrSig	A51.J1:9	26.2
					I_RHFishSwRrSig	A51.J1:12	26.2
A51.J1:4	O_LHDockLb	Left Hand Docking Light Bulb	26.3	L93.A:1	B_BatterySaver	.	
					B_TstModExtLight	.	
					I_DockingLtSw	.	
					I_LowDockLtsSw	.	
A51.J1:5	O_RHDockLb	Right Hand Docking Light Bulb	26.3	L94.A:1	B_BatterySaver	.	
					B_TstModExtLight	.	
					I_DockingLtSw	.	
					I_LowDockLtsSw	.	
A51.J1:8	O_ReTailMkLb	Rear Tail Markers Light Bulb	26.2		B_BatterySaver	.	
					B_TstModExtLight	.	
					I_AccKeySw	.	
					I_BlinkSw	.	
					I_EntDrUnlockSw	.	
					I_HazardSw	.	
					I_HdLtPos1Sw	.	
					I_HdLtPos2SwLH	.	
					I_IgnKeySw	.	
					I_KeylessDrUnl	.	
					I_KeylessIntru	.	
					I_KeylessPanic	.	

MULTIPLEX OUTPUT LIST

O_xx... = Physical Output Pin ; I_xx... = Physical Input Pin ; D_xx... = CAN Network Signal from the HVAC control Head ; B_xx.. = Multiplex system global Network Variable

Module.Pin#	Signal name	Description	Page	Connected devices	Input involved		
A51.J1:8	O_ReTailMkLb	Rear Tail Markers Light Bulb	26.2		I_RrCutOutSw	.	
					I_WakeUp	.	
A52.J1:1	O_EngFanSpd1	Engine Fan Radiator Speed 1	13.1		B_BatterySaver	.	
					B_EngineRun	.	
					B_TestMode	.	
					D_OnOffDrvSw	.	
					I_AcPresHiSse	A52.J1:13	18.2
					I_EngFanSpd1	A52.J1:9	13.1
					I_EngFanSw	.	
					I_FireExt1stAl	.	
					I_FireExt2ndAlm	.	
					I_FireSensorA36	.	
A52.J1:2	O_EngFanSpd2	Engine Fan Radiator Speed 2	13.1		B_BatterySaver	.	
					B_EngineRun	.	
					B_TestMode	.	
					D_OnOffDrvSw	.	
					I_AcPresHiSse	A52.J1:13	18.2
					I_EngFanSpd2	A52.J1:10	13.1
					I_EngFanSw2	.	
					I_FireExt1stAl	.	
					I_FireExt2ndAlm	.	
					I_FireSensorA36	.	
A52.J1:20	O_AcCluSol	Hvac AC Clutch Solenoid			B_BatterySaver	.	
					B_EngineRun	.	
					B_TestMode	.	
					D_OnOffDrvSw	.	
					I_AcPresHiSse	A52.J1:13	18.2
					I_AcPresLoSse	A52.J1:14	18.2
A52.J1:21	O_AcUnldRH	Hvac Right Hand Cylinder Unloader	18.2		D_PassSetPts	.	
					I_AcPresHiSse	A52.J1:13	18.2
					I_AcPresLoSse	A52.J1:14	18.2
A52.J1:5	O_EngCmptLbZF	Engine Compartment Light Switch	25.1		I_EngCmptLtSw	A52.J1:11	25.1
A52.J1:8	O_AcUnldLH	Hvac Left Hand Cylinder Unloader			D_PassSetPts	.	
					I_AcPresHiSse	A52.J1:13	18.2
					I_AcPresLoSse	A52.J1:14	18.2
A53.J1:1	O_StarterRlyRtn	Starter Relay Return	3.2	Term49	I_IgnKeySw	.	
A54.J1:1	O_CndSpd2Rel	Condensor Fan Speed 2 Relay	18.2	R9.A:2	B_EngineRun	.	
					B_LowVoltage	.	
					D_DriverSetPts	.	
					D_OnOffDrvSw	.	
					D_OnOffPassSw	.	
					D_PassSetPts	.	
					I_AcPresHiSse	A52.J1:13	18.2

MULTIPLEX OUTPUT LIST

O_xx... = Physical Output Pin ; I_xx... = Physical Input Pin ; D_xx... = CAN Network Signal from the HVAC control Head ; B_xx.. = Multiplex system global Network Variable

Module.Pin#	Signal name	Description	Page	Connected devices	Input involved		
A54.J1:1	O_CndSpd2Rel	Condensor Fan Speed 2 Relay	18.2	R9.A:2	I_AcPresLoSse	A52.J1:14	18.2
					I_CoilTherSe	A47.J1:11	18.1
					I_FireExt1stAl	.	
					I_FireExt2ndAlm	.	
					I_FireSensorA36	.	
					I_FrontOutTemp	A47.J1:14	18.1
					I_OutDoorTempSe	A54.J1:14	18.1
A54.J1:2	O_EvaSpd2Rel	Evaporator Fan Speed 2	18.2	TermMo9	B_EngineRun	.	
					B_LowVoltage	.	
					D_OnOffPassSw	.	
					D_PassSetPts	.	
					I_Alt2Voltage	A49.J1:9	
					I_FireExt1stAl	.	
					I_FireExt2ndAlm	.	
					I_FireSensorA36	.	
A54.J1:20	O_ACRecPass	A/C Pass. Gaz Cylinder Recycle	18.2	L205.A:1	B_BatterySaver	.	
					B_EngineRun	.	
					B_TestMode	.	
					B_TstModHvac	.	
					D_OnOffDrvSw	.	
					D_RecSw	.	
A54.J1:3	O_PasRfgSol	Passenger Refrigerent Solenoid	18.2	D11.A:1	B_EngineRun	.	
					B_LowVoltage	.	
					D_DriverSetPts	.	
					D_OnOffDrvSw	.	
					D_OnOffPassSw	.	
					D_PassSetPts	.	
					I_CoilTherSe	A47.J1:11	18.1
					I_FireExt1stAl	.	
					I_FireExt2ndAlm	.	
					I_FireSensorA36	.	
					I_FrontOutTemp	A47.J1:14	18.1
					I_OutDoorTempSe	A54.J1:14	18.1
A54.J1:4	O_ACWaterPmp	Hvac Water Pump			B_EngineRun	.	
					B_OneAltCharging	.	
					B_TestMode	.	
					D_DrvFnSpdBit0	.	
					D_DrvFnSpdBit1	.	
					D_DrvFnSpdBit2	.	
					D_OnOffPassSw	.	
					D_PassSetPts	.	
					I_FireExt1stAl	.	
					I_FireExt2ndAlm	.	

MULTIPLEX OUTPUT LIST

O_xx... = Physical Output Pin ; I_xx... = Physical Input Pin ; D_xx... = CAN Network Signal from the HVAC control Head ; B_xx.. = Multiplex system global Network Variable

Module.Pin#	Signal name	Description	Page	Connected devices	Input involved		
A54.J1:4	O_ACWaterPmp	Hvac Water Pump			I_FireSensorA36	.	
					I_FrontOutTemp	A47.J1:14	18.1
					I_OutDoorTempSe	A54.J1:14	18.1
A54.J1:5	O_CndSpd1Rel	Condensor Fan Speed 1 Relay	18.2	R10.A:2	B_EngineRun	.	
					B_LowVoltage	.	
					D_DriverSetPts	.	
					D_OnOffDrvSw	.	
					D_OnOffPassSw	.	
					D_PassSetPts	.	
					I_AcPresHiSse	A52.J1:13	18.2
					I_AcPresLoSse	A52.J1:14	18.2
					I_CoilTherSe	A47.J1:11	18.1
					I_FireExt1stAl	.	
					I_FireExt2ndAlm	.	
					I_FireSensorA36	.	
					I_FrontOutTemp	A47.J1:14	18.1
					I_OutDoorTempSe	A54.J1:14	18.1
A54.J1:7	O_EvaSpd1Rel	Evaporator Fan Speed 1 Relay	18.2	R12.A:2	B_EngineRun	.	
					B_LowVoltage	.	
					D_OnOffPassSw	.	
					I_FireExt1stAl	.	
					I_FireExt2ndAlm	.	
					I_FireSensorA36	.	
A54.J1:8	O_PasHeatSol	Passenger Heat Solenoid Valve	18.2	So13.A:1	B_BatterySaver	.	
					B_EngineRun	.	
					B_OneAltCharging	.	
					B_TestMode	.	
					D_DriverSetPts	.	
					D_DrvFnSpdBit0	.	
					D_DrvFnSpdBit1	.	
					D_DrvFnSpdBit2	.	
					D_OnOffDrvSw	.	
					D_OnOffPassSw	.	
					D_PassSetPts	.	
					I_FireExt1stAl	.	
					I_FireExt2ndAlm	.	
					I_FireSensorA36	.	
					I_FrontOutTemp	A47.J1:14	18.1
					I_OutDoorTempSe	A54.J1:14	18.1
A56.J1:1	O_SldO1MoSpeedA	Slide-Out 1 Motor Speed Control A			I_BatMonMod56	A56.J1:24	6.1
					I_SldO1CloseSw	A56.J1:10	20.1
					I_SldO1LimiOutSw	A56.J1:14	20.1
					I_SldO1LimitInSe	A56.J1:11	20.1

MULTIPLEX OUTPUT LIST

O_xx... = Physical Output Pin ; L_xx... = Physical Input Pin ; D_xx... = CAN Network Signal from the HVAC control Head ; B_xx.. = Multiplex system global Network Variable

Module.Pin#	Signal name	Description	Page	Connected devices	Input involved		
A56.J1:1	O_SldO1MoSpeedA	Slide-Out 1 Motor Speed Control A			I_SldO1OpenSw	A56.J1:9	20.1
					I_SldO1PBrakeSw	A56.J1:12	20.1
					I_SldO1VacPrSe	A56.J1:13	20.1
A56.J1:2	O_SldO1MoSpeedB	Slide-Out 1 Motor Speed Control B	20.1		I_BatMonMod56	A56.J1:24	6.1
					I_SldO1CloseSw	A56.J1:10	20.1
					I_SldO1LimiOutSw	A56.J1:14	20.1
					I_SldO1LimitInSe	A56.J1:11	20.1
					I_SldO1OpenSw	A56.J1:9	20.1
					I_SldO1PBrakeSw	A56.J1:12	20.1
					I_SldO1VacPrSe	A56.J1:13	20.1
A56.J1:20	O_SldO1Motpos	Slide_Out 1 Motor +	20.1	RSo1.B:1	I_BatMonMod56	A56.J1:24	6.1
					I_SldO1CloseSw	A56.J1:10	20.1
					I_SldO1LimiOutSw	A56.J1:14	20.1
					I_SldO1LimitInSe	A56.J1:11	20.1
					I_SldO1OpenSw	A56.J1:9	20.1
					I_SldO1PBrakeSw	A56.J1:12	20.1
					I_SldO1VacPrSe	A56.J1:13	20.1
A56.J1:21	O_SldO1SecuPinSo	Slide-Out 1 Security Pins	20.1		I_SldO1LimitInSe	A56.J1:11	20.1
					I_SldO1PBrakeSw	A56.J1:12	20.1
					I_SldO2LimitInSe	A57.J1:11	20.1
					I_SldO2PBrakeSw	A57.J1:12	20.1
A56.J1:3	O_SldO1RemoteLed	Slide_Out 1 Remote Led	20.1	SwSo1.A:2	I_BatMonMod56	A56.J1:24	6.1
					I_SldO1CloseSw	A56.J1:10	20.1
					I_SldO1LimiOutSw	A56.J1:14	20.1
					I_SldO1LimitInSe	A56.J1:11	20.1
					I_SldO1OpenSw	A56.J1:9	20.1
					I_SldO1PBrakeSw	A56.J1:12	20.1
					I_SldO1Supply5v	A56.J1:15	20.1
A56.J1:4	O_SldO1SealInfSo	Slide_Out 1 Seal Inflating Valve	20.1	SoSo5:1	I_SldO1CloseSw	A56.J1:10	20.1
					I_SldO1LimiOutSw	A56.J1:14	20.1
					I_SldO1LimitInSe	A56.J1:11	20.1
					I_SldO1OpenSw	A56.J1:9	20.1
A56.J1:5	O_SldO1SealDefSo	Slide_Out 1 Seal Deflating Valve	20.1	SoSo1:1	I_BatMonMod56	A56.J1:24	6.1
					I_SldO1CloseSw	A56.J1:10	20.1
					I_SldO1LimiOutSw	A56.J1:14	20.1
					I_SldO1LimitInSe	A56.J1:11	20.1
					I_SldO1OpenSw	A56.J1:9	20.1
A56.J1:6	O_SldO1VaccGenSo	Slide_Out 1 Seal Vaccum Generator	20.1	SoSo2:1	I_SldO1PBrakeSw	A56.J1:12	20.1
					I_BatMonMod56	A56.J1:24	6.1
					I_BatMonMod57	A57.J1:24	6.1
					I_SldO1CloseSw	A56.J1:10	20.1
					I_SldO1LimiOutSw	A56.J1:14	20.1

MULTIPLEX OUTPUT LIST

O_xx... = Physical Output Pin ; I_xx... = Physical Input Pin ; D_xx... = CAN Network Signal from the HVAC control Head ; B_xx.. = Multiplex system global Network Variable

Module.Pin#	Signal name	Description	Page	Connected devices	Input involved		
A56.J1:6	O_SldO1VaccGenSo	Slide_Out 1 Seal Vaccum Generator	20.1	SoSo2:1	I_SldO1LimitInSe	A56.J1:11	20.1
					I_SldO1OpenSw	A56.J1:9	20.1
					I_SldO1PBrakeSw	A56.J1:12	20.1
					I_SldO2CloseSw	A57.J1:10	20.1
					I_SldO2LimiOutSw	A57.J1:14	20.1
					I_SldO2LimitInSe	A57.J1:11	20.1
					I_SldO2OpenSw	A57.J1:9	20.1
					I_SldO2PBrakeSw	A57.J1:12	20.1
A56.J1:7	O_SldO1Motneg	Slide_Out 1 Motor -	20.1	RSo2.B:1	I_BatMonMod56	A56.J1:24	6.1
					I_SldO1CloseSw	A56.J1:10	20.1
					I_SldO1LimiOutSw	A56.J1:14	20.1
					I_SldO1LimitInSe	A56.J1:11	20.1
					I_SldO1OpenSw	A56.J1:9	20.1
					I_SldO1PBrakeSw	A56.J1:12	20.1
					I_SldO1VacPrSe	A56.J1:13	20.1
					I_SldO1VacPrSe	A56.J1:13	20.1
A57.J1:1	O_SldO2MoSpeedA	Slide-Out 2 Motor Speed Control A	20.1		I_BatMonMod57	A57.J1:24	6.1
					I_SldO1VacPrSe	A56.J1:13	20.1
					I_SldO2CloseSw	A57.J1:10	20.1
					I_SldO2LimiOutSw	A57.J1:14	20.1
					I_SldO2LimitInSe	A57.J1:11	20.1
					I_SldO2OpenSw	A57.J1:9	20.1
					I_SldO2PBrakeSw	A57.J1:12	20.1
A57.J1:2	O_SldO2MoSpeedB	Slide-Out 2 Motor Speed Control B	20.1		I_BatMonMod57	A57.J1:24	6.1
					I_SldO1VacPrSe	A56.J1:13	20.1
					I_SldO2CloseSw	A57.J1:10	20.1
					I_SldO2LimiOutSw	A57.J1:14	20.1
					I_SldO2LimitInSe	A57.J1:11	20.1
					I_SldO2OpenSw	A57.J1:9	20.1
					I_SldO2PBrakeSw	A57.J1:12	20.1
A57.J1:20	O_SldO2Motpos	Slide_Out 2 Motor +	20.1	RSo3.B:1	I_BatMonMod57	A57.J1:24	6.1
					I_SldO1VacPrSe	A56.J1:13	20.1
					I_SldO2CloseSw	A57.J1:10	20.1
					I_SldO2LimiOutSw	A57.J1:14	20.1
					I_SldO2LimitInSe	A57.J1:11	20.1
					I_SldO2OpenSw	A57.J1:9	20.1
					I_SldO2PBrakeSw	A57.J1:12	20.1
A57.J1:3	O_SldO2RemoteLed	Slide_Out 2 Remote Led	20.1	SwSo2.A:2	I_BatMonMod57	A57.J1:24	6.1
					I_SldO1VacPrSe	A56.J1:13	20.1
					I_SldO2CloseSw	A57.J1:10	20.1
					I_SldO2LimiOutSw	A57.J1:14	20.1
					I_SldO2LimitInSe	A57.J1:11	20.1
					I_SldO2OpenSw	A57.J1:9	20.1
					I_SldO2PBrakeSw	A57.J1:12	20.1

MULTIPLEX OUTPUT LIST

O_xx... = Physical Output Pin ; I_xx... = Physical Input Pin ; D_xx... = CAN Network Signal from the HVAC control Head ; B_xx.. = Multiplex system global Network Variable

Module.Pin#	Signal name	Description	Page	Connected devices	Input involved		
A57.J1:3	O_SldO2RemoteLed	Slide_Out 2 Remote Led	20.1	SwSo2.A:2	I_SldO2Supply5v	A57.J1:15	20.1
A57.J1:4	O_SldO2SealInfSo	Slide_Out 2 Seal Inflating Valve	20.1		I_SldO2CloseSw	A57.J1:10	20.1
					I_SldO2LimiOutSw	A57.J1:14	20.1
					I_SldO2LimitInSe	A57.J1:11	20.1
					I_SldO2OpenSw	A57.J1:9	20.1
A57.J1:5	O_SldO2SealDefSo	Slide_Out 2 Seal Deflating Valve	20.1	SoSo3:1	I_BatMonMod57	A57.J1:24	6.1
					I_SldO2CloseSw	A57.J1:10	20.1
					I_SldO2LimiOutSw	A57.J1:14	20.1
					I_SldO2LimitInSe	A57.J1:11	20.1
					I_SldO2OpenSw	A57.J1:9	20.1
					I_SldO2PBrakeSw	A57.J1:12	20.1
A57.J1:7	O_SldO2Motneg	Slide_Out 2 Motor -	20.1	RS04.B:1	I_BatMonMod57	A57.J1:24	6.1
					I_SldO1VacPrSe	A56.J1:13	20.1
					I_SldO2CloseSw	A57.J1:10	20.1
					I_SldO2LimiOutSw	A57.J1:14	20.1
					I_SldO2LimitInSe	A57.J1:11	20.1
					I_SldO2OpenSw	A57.J1:9	20.1
					I_SldO2PBrakeSw	A57.J1:12	20.1

MULTIPLEX OUTPUT LIST

O_xx... = Physical Output Pin ; I_xx... = Physical Input Pin ; D_xx... = CAN Network Signal from the HVAC control Head ; B_xx.. = Multiplex system global Network Variable

Module.Pin#	Signal name	Description	Page	Connected devices	Input involved		
A41.J1:16	O_WakeUpA41		9,1	A36.JB:5	I_IgnKeySw	A36.JB:2	3,2
					I_KeylessDrUnl	A41.J1:4	29,1
					I_KeylessEntReq	A41.J1:21	29,1
					I_KeylessIntru	A41.J1:7	29,1
					I_KeylessLockAll	A41.J1:19	29,1
					I_KeylessLuggUnl	A41.J1:18	29,1
					I_LugDorLkSw	A41.J1:17	24,2
					I_LugDorULkSw	A41.J1:20	24,2
					I_RrCutOutSw	A36.JB:21	3,2
					I_WakeUp	A36.JB:5	9,1
A42.J1:11	O_ConvIgnition	Converter ignition signal	21,1	CC2:5, FREE:FREE, CC2:5	I_IgnKeySw	A36.JB:2	3,2
A42.J1:12	O_ConvEngRun	Converter engine run signal	21,1	CC2:6, FREE:FREE, CC2:6	B_EngineRun	.	
A42.J1:13	O_SldO2MotIn	Rear Slide Out retracting	21,1	CC2:9	I_BatMonMod57	A57.J1:24	6,1
					I_SldO1VacPrSe	A56.J1:13	20,1
					I_SldO2CloseSw	A57.J1:10	20,1
					I_SldO2LimiOutSw	A57.J1:14	20,1
					I_SldO2LimitInSe	A57.J1:11	20,1
					I_SldO2OpenSw	A57.J1:9	20,1
					I_SldO2PBrakeSw	A57.J1:12	20,1
A42.J1:14	O_SldO1MotIn	Front Slide Out retracting	21,1	CC2:7	I_BatMonMod56	A56.J1:24	6,1
					I_SldO1CloseSw	A56.J1:10	20,1
					I_SldO1LimiOutSw	A56.J1:14	20,1
					I_SldO1LimitInSe	A56.J1:11	20,1
					I_SldO1OpenSw	A56.J1:9	20,1
					I_SldO1PBrakeSw	A56.J1:12	20,1
					I_SldO1VacPrSe	A56.J1:13	20,1
A42.J1:15	O_TransShftDown	Transmission Shift Down	32,1	CC1:6	I_VIPSteerWh1	A55.J1:3	32,1
					I_VIPSteerWh2	A55.J1:4	32,1
					I_VIPSteerWh5V	A55.J1:2	32,1
A42.J1:16	O_SldO1MotOut	Front Slide Out extending	21,1	CC2:8	I_BatMonMod56	A56.J1:24	6,1
					I_SldO1CloseSw	A56.J1:10	20,1
					I_SldO1LimiOutSw	A56.J1:14	20,1
					I_SldO1LimitInSe	A56.J1:11	20,1
					I_SldO1OpenSw	A56.J1:9	20,1
					I_SldO1PBrakeSw	A56.J1:12	20,1
					I_SldO1VacPrSe	A56.J1:13	20,1
A42.J1:30	O_TransShftUp	Transmission Shift Up	32,1	CC1:7	I_VIPSteerWh1	A55.J1:3	32,1
					I_VIPSteerWh2	A55.J1:4	32,1
					I_VIPSteerWh5V	A55.J1:2	32,1
A43.J1:11	O_SldO2MotOut	Rear Slide Out extending	21,1	CC2:10	I_BatMonMod57	A57.J1:24	6,1
					I_SldO1VacPrSe	A56.J1:13	20,1
					I_SldO2CloseSw	A57.J1:10	20,1
					I_SldO2LimiOutSw	A57.J1:14	20,1

MULTIPLEX OUTPUT LIST

O_xx... = Physical Output Pin ; I_xx... = Physical Input Pin ; D_xx... = CAN Network Signal from the HVAC control Head ; B_xx.. = Multiplex system global Network Variable

Module.Pin#	Signal name	Description	Page	Connected devices	Input involved		
A43.J1:11	O_SldO2MotOut	Rear Slide Out extending	21,1	CC2:10	I_SldO2LimitInSe	A57.J1:11	20,1
					I_SldO2OpenSw	A57.J1:9	20,1
					I_SldO2PBrakeSw	A57.J1:12	20,1
A43.J1:16	O_BrkRedCompat	Brake Redundant Compatible	32,1	A81:Brake_Redundant	I_BrkLtSeFrSig	A36.JB:13	12,1
					I_BrkLtSeRrSig	A51.J1:10	12,1
					I_IgnKeySw	A36.JB:2	3,2
					I_VIPSteerWh1	A55.J1:3	32,1
					I_VIPSteerWh2	A55.J1:4	32,1
					I_VIPSteerWh5V	A55.J1:2	32,1
A44.J1:1	O_DashTrapPMo	Dash Trap Motor	18,1	Mo3:1	D_AirFlapBit0	.	
					D_AirFlapBit1	.	
					D_AirFlapBit2	.	
					I_IgnKeySw	A36.JB:2	3,2
A44.J1:2	O_DashTrapNMo	Dash Trap Motor Return	18,1	Mo3:3	D_AirFlapBit0	.	
					D_AirFlapBit1	.	
					D_AirFlapBit2	.	
					I_IgnKeySw	A36.JB:2	3,2
A44.J1:20	O_DashBackLit	Dash BackLighting	19,1		I_HdLtPos1Sw	A43.J1:4	26,1
A44.J1:7	O_BackUpMon	Backup Monitor Signal			I_BackUpCamSw	A55.J1:17	
A44.J1:8	O_FrClearLb	Front Clearance Lights Bulb	26,1		B_BatterySaver	.	
					B_TstModExtLight	.	
					I_BlinkSw	A43.J1:20	26,1
					I_HdLtPos1Sw	A43.J1:4	26,1
					I_HdLtPos2SwLH	A45.J1:12	26,1
A45.J1:1	O_FootTrpPSol	Foot Trap Solenoid	18,1	Mo4:A	D_AirFlapBit0	.	
					D_AirFlapBit1	.	
					D_AirFlapBit2	.	
					I_IgnKeySw	A36.JB:2	3,2
A45.J1:2	O_FootTrpNSol	Foot Trap Solenoid	18,1	Mo4:B	D_AirFlapBit0	.	
					D_AirFlapBit1	.	
					D_AirFlapBit2	.	
					I_IgnKeySw	A36.JB:2	3,2
A45.J1:20	O_HornElectric	Horn Electric	9,1		I_AccKeySw	A36.JB:6	3,2
					I_EntDrUnlockSw	A41.J1:8	29,1
					I_FireExt1stAl	A36.JB:23	38,1
					I_FireExt2ndAlm	A44.J1:10	38,1
					I_FireSensorA36	A41.J1:10	9,1
					I_HazardSw	A36.JB:4	26,1
					I_HornSelectSw	A43.J1:7	9,1
					I_HornSw	A41.J1:3	9,1
					I_IgnKeySw	A36.JB:2	3,2
					I_KeylessDrUnl	A41.J1:4	29,1
					I_KeylessIntru	A41.J1:7	29,1

MULTIPLEX OUTPUT LIST

O_xx... = Physical Output Pin ; I_xx... = Physical Input Pin ; D_xx... = CAN Network Signal from the HVAC control Head ; B_xx.. = Multiplex system global Network Variable

Module.Pin#	Signal name	Description	Page	Connected devices	Input involved		
A45.J1:20	O_HornElectric	Horn Electric	9,1		I_KeylessLockAll	A41.J1:19	29,1
					I_KeylessLuggUnl	A41.J1:18	29,1
					I_KeylessPanic	A41.J1:6	29,1
					I_LugDorLkSw	A41.J1:17	24,2
					I_RrCutOutSw	A36.JB:21	3,2
					I_WakeUp	A36.JB:5	9,1
A45.J1:21	O_LHFrMkrLb	Left Hand Front Markers Light Bulb	26,1		B_BatterySaver	.	
					B_TstModExtLight	.	
					I_BlinkSw	A43.J1:20	26,1
					I_HdLtPos1Sw	A43.J1:4	26,1
					I_HdLtPos2SwLH	A45.J1:12	26,1
					I_IgnKeySw	A36.JB:2	3,2
					I_KeylessIntru	A41.J1:7	29,1
					I_KeylessPanic	A41.J1:6	29,1
A45.J1:3	O_LHFrFlshLb	Left Hand Front Flasher Light Bulb	26,1		B_BatterySaver	.	
					B_TstModExtLight	.	
					I_LHFlshSw	A45.J1:9	26,1
					I_LHFlshSwRrSig	A51.J1:9	26,2
					I_RHFlshSwRrSig	A51.J1:12	26,2
A45.J1:4	O_LHFogLb	Left Hand Fog Light Bulb	26,3	L95:A	B_BatterySaver	.	
					B_TstModExtLight	.	
					I_FogLightSw	A55.J1:6	26,3
A45.J1:5	O_LHCornerLb	Left Hand Cornering Light Bulb	26,3	L97.A:1	B_BatterySaver	.	
					B_TstModExtLight	.	
					I_CorneringLtSw	A55.J1:7	26,3
A45.J1:6	O_LHHiBmLb	Left Hand Hi Beam Light Bulb	26,1	L58.B:1, L60.B:1	I_LHFlshSw	A45.J1:9	26,1
					B_BatterySaver	.	
					B_EngineRun	.	
					B_OneAltCharging	.	
A45.J1:7	O_LHLwBmLb	Left Hand Low Beam Light Bulb	26,1	L58.A:1, L60.A:1	B_TstModExtLight	.	
					I_HdLtHiLowBmSw	A43.J1:8	26,1
					I_HdLtPos2SwLH	A45.J1:12	26,1
					I_HiBeamCallSw	A43.J1:3	26,1
					B_BatterySaver	.	
					B_TstModExtLight	.	
A45.J1:8	O_FlshAudiRel	Flasher Audible Relay	26,1	R16:86	I_HdLtPos2SwLH	A45.J1:12	26,1
					I_HazardSw	A36.JB:4	26,1
					I_IgnKeySw	A36.JB:2	3,2
					I_LHFlshSw	A45.J1:9	26,1
					I_LHFlshSwRrSig	A51.J1:9	26,2
					I_RHFlshSw	A48.J1:12	26,1
A46.J1:2	O_UnDefHeater	Upper Defroster Heater #1	18,1	Mo5:3	I_RHFlshSwRrSig	A51.J1:12	26,2
					B_BatterySaver	.	

MULTIPLEX OUTPUT LIST

O_xx... = Physical Output Pin ; I_xx... = Physical Input Pin ; D_xx... = CAN Network Signal from the HVAC control Head ; B_xx.. = Multiplex system global Network Variable

Module.Pin#	Signal name	Description	Page	Connected devices	Input involved		
A46.J1:2	O_UpDefHeater1	Upper Defroster Heater #1	18,1	Mo5:3	B_EngineRun	.	
					B_LowVoltage	.	
					D_OnOffDrvSw	.	
					I_FrontOutTemp	A47.J1:14	18,1
					I_OutDoorTempSe	A54.J1:14	18,1
					I_UpperDefFanSw	A42.J1:19	18,1
A46.J1:21	O_HeadLmpWshM		31,1		I_HeadLmpWshSw	A55.J1:18	31,1
A46.J1:3	O_LwWshPmp	Lower Wiper Washer Pump	31,1		B_BatterySaver	.	
					I_LwWshSw	A46.J1:9	31,1
A46.J1:4	O_UpDefHeater2	Upper Defroster Heater #2	18,1	Mo5:2	B_BatterySaver	.	
					B_EngineRun	.	
					B_LowVoltage	.	
					D_OnOffDrvSw	.	
					I_FrontOutTemp	A47.J1:14	18,1
					I_OutDoorTempSe	A54.J1:14	18,1
					I_UpperDefFanSw	A42.J1:19	18,1
A46.J1:5	O_DrvRfgSol	Driver refrigerent solenoid	18,1	D2.A:1	B_BatterySaver	.	
					B_EngineRun	.	
					B_LowVoltage	.	
					B_TestMode	.	
					B_TstModHvac	.	
					B_TstModSAC	.	
					I_AcPresHiSse	A52.J1:13	18,2
					I_AcPresLoSse	A52.J1:14	18,2
					I_FrontOutTemp	A47.J1:14	18,1
					I_OutDoorTempSe	A54.J1:14	18,1
A46.J1:6	O_DrvHeatSol	Driver Heat Solenoid	18,1	So8:1	B_BatterySaver	.	
					B_EngineRun	.	
					B_LowVoltage	.	
					B_OneAltCharging	.	
					B_TestMode	.	
					B_TstModHvac	.	
					B_TstModSAC	.	
					D_AirFlapBit0	.	
					D_AirFlapBit1	.	
					D_AirFlapBit2	.	
					D_DriverSetPts	.	
					D_DrvFnSpdBit0	.	
					D_DrvFnSpdBit1	.	
					D_DrvFnSpdBit2	.	
					D_OnOffPassSw	.	
					D_PassSetPts	.	
					I_BatMonMod46	A46.J1:24	6,1

MULTIPLEX OUTPUT LIST

O_xx... = Physical Output Pin ; I_xx... = Physical Input Pin ; D_xx... = CAN Network Signal from the HVAC control Head ; B_xx.. = Multiplex system global Network Variable

Module.Pin#	Signal name	Description	Page	Connected devices	Input involved		
A46.J1:6	O_DrvHeatSol	Driver Heat Solenoid	18,1	So8:1	I_BatMonMod54	A54.J1:24	6,1
					I_DefrostHighSw	A47.J1:10	18,1
					I_DefrostLowSw	A47.J1:12	18,1
					I_DrvTempSe	A55.J1:1	18,1
					I_FireExt1stAl	A36.JB:23	38,1
					I_FireExt2ndAlm	A44.J1:10	38,1
					I_FireSensorA36	A41.J1:10	9,1
					I_FrontOutTemp	A47.J1:14	18,1
					I_OutDoorTempSe	A54.J1:14	18,1
A47.J1:1	O_DrvDefFanMo	Driver Defroster Fan Motor	18,1	A24.B:B	B_BatterySaver	.	
					B_EngineRun	.	
					B_LowVoltage	.	
					D_DrvFnSpdBit0	.	
					D_DrvFnSpdBit1	.	
					D_DrvFnSpdBit2	.	
					D_OnOffDrvSw	.	
					I_BatMonMod47	A47.J1:24	6,1
					I_IgnKeySw	A36.JB:2	3,2
A47.J1:2	O_DrvRecTrap	Driver Recycle Trap	18,1	L203:A	B_BatterySaver	.	
					B_EngineRun	.	
					B_TestMode	.	
					B_TstModHvac	.	
					B_TstModSAC	.	
					D_RecSw	.	
A47.J1:20	O_AuxWaterPump	Auxiliary water pump	18,1		B_BatterySaver	.	
					B_EngineRun	.	
					B_OneAltCharging	.	
					B_TestMode	.	
					B_TstModSAC	.	
					D_DriverSetPts	.	
					D_DrvFnSpdBit0	.	
					D_DrvFnSpdBit1	.	
					D_DrvFnSpdBit2	.	
					I_DefrostHighSw	A47.J1:10	18,1
					I_DefrostLowSw	A47.J1:12	18,1
					I_FrontOutTemp	A47.J1:14	18,1
					I_OutDoorTempSe	A54.J1:14	18,1
A47.J1:3	O_LwWipSpd1	Lower Wiper Speed 1	31,1	R23:86	B_BatterySaver	.	
					I_LwWipIntSw	A42.J1:8	31,1
					I_LwWshSw	A46.J1:9	31,1
A47.J1:5	O_EntDorStpLb	Entrance Door Step Light Bulb	29,1	L18.A:1	I_AccKeySw	A36.JB:6	3,2
					I_EntDorOpSe	A41.J1:5	29,1
					I_EntDrUnlockSw	A41.J1:8	29,1

MULTIPLEX OUTPUT LIST

O_xx... = Physical Output Pin ; L_xx... = Physical Input Pin ; D_xx... = CAN Network Signal from the HVAC control Head ; B_xx.. = Multiplex system global Network Variable

Module.Pin#	Signal name	Description	Page	Connected devices	Input involved		
A47.J1:5	O_EntDorStpLb	Entrance Door Step Light Bulb	29,1	L18.A:1	I_HazardSw	A36.JB:4	26,1
					I_IgnKeySw	A36.JB:2	3,2
					I_KeylessDrUnl	A41.J1:4	29,1
					I_KeylessLuggUnl	A41.J1:18	29,1
					I_LugDorLkSw	A41.J1:17	24,2
					I_RrCutOutSw	A36.JB:21	3,2
					I_WakeUp	A36.JB:5	9,1
A47.J1:6	O_DriverLtLb	Driver Light Bulb	19,1	L16:1	B_BatterySaver	.	
					I_DrvLtSw	A41.J1:2	19,1
A47.J1:7	O_RHDefrostFan	Passenger defrost fan speed control	18,1	A30.A:D	B_BatterySaver	.	
					B_EngineRun	.	
					B_LowVoltage	.	
					D_DrvFnSpdBit0	.	
					D_DrvFnSpdBit1	.	
					D_DrvFnSpdBit2	.	
					D_OnOffDrvSw	.	
					I_BatMonMod47	A47.J1:24	6,1
					I_DefrostHighSw	A47.J1:10	18,1
					I_DefrostLowSw	A47.J1:12	18,1
					I_IgnKeySw	A36.JB:2	3,2
A48.J1:1	O_DoorUnlockMo	Entrance door unlock motor	29,1	Mo26:A	I_AccKeySw	A36.JB:6	3,2
					I_EntDorOpSe	A41.J1:5	29,1
					I_EntDrUnlockSw	A41.J1:8	29,1
					I_EntDrUnSw	A48.J1:9	29,1
					I_HazardSw	A36.JB:4	26,1
					I_IgnKeySw	A36.JB:2	3,2
					I_KeylessDrUnl	A41.J1:4	29,1
					I_RrCutOutSw	A36.JB:21	3,2
					I_WakeUp	A36.JB:5	9,1
A48.J1:2	O_DoorLockMo	Entrance door lock motor	29,1	Mo26:B	I_AccKeySw	A36.JB:6	3,2
					I_EntDorLockSw	A41.J1:9	29,1
					I_EntDorOpSe	A41.J1:5	29,1
					I_EntDrUnlockSw	A41.J1:8	29,1
					I_HazardSw	A36.JB:4	26,1
					I_IgnKeySw	A36.JB:2	3,2
					I_KeylessLockAll	A41.J1:19	29,1
					I_RrCutOutSw	A36.JB:21	3,2
					I_WakeUp	A36.JB:5	9,1
A48.J1:20	O_RHFrSidFlshLb	RH Front Side Flasher L-Bulb	26,1	L64:1	B_BatterySaver	.	
					B_TstModExtLight	.	
					I_LHFflshSwRrSig	A51.J1:9	26,2
					I_RHFflshSw	A48.J1:12	26,1
					I_RHFflshSwRrSig	A51.J1:12	26,2

MULTIPLEX OUTPUT LIST

O_xx... = Physical Output Pin ; I_xx... = Physical Input Pin ; D_xx... = CAN Network Signal from the HVAC control Head ; B_xx.. = Multiplex system global Network Variable

Module.Pin#	Signal name	Description	Page	Connected devices	Input involved	
A48.J1:3	O_RHHiBeamLb	Right Hand Hi Beam Light Bulb	26,1	L57.B:1, L59.B:1	B_BatterySaver	.
					B_EngineRun	.
					B_OneAltCharging	.
					B_TstModExtLight	.
					I_HdLtHiLowBmSw	A43.J1:8 26,1
					I_HdLtPos2SwLH	A45.J1:12 26,1
					I_HiBeamCallSw	A43.J1:3 26,1
A48.J1:4	O_RHLwBeamLb	Right Hand Low Beam Light Bulb	26,1	L57.A:B, L59.A:1	B_BatterySaver	.
					B_TstModExtLight	.
					I_HdLtPos2SwRH	A48.J1:10 26,1
A48.J1:5	O_RHCornerLb	Right Hand Cornering Light Bulb	26,3	L98.A:1	B_BatterySaver	.
					B_TstModExtLight	.
					I_CorneringLtSw	A55.J1:7 26,3
					I_RHFfshSw	A48.J1:12 26,1
A48.J1:6	O_RHFrFshLb	Right Hand Front Flasher Light Bulb	26,1	L61:3	B_BatterySaver	.
					B_TstModExtLight	.
					I_LHFfshSwRrSig	A51.J1:9 26,2
					I_RHFfshSw	A48.J1:12 26,1
					I_RHFfshSwRrSig	A51.J1:12 26,2
A48.J1:7	O_RHFrMrkLb	Right Hand Front Markers Light Bulb	26,1		B_BatterySaver	.
					B_TstModExtLight	.
					I_BlinkSw	A43.J1:20 26,1
					I_HdLtPos1Sw	A43.J1:4 26,1
					I_HdLtPos2SwLH	A45.J1:12 26,1
					I_KeylessIntru	A41.J1:7 29,1
					I_KeylessPanic	A41.J1:6 29,1
A50.J1:2	O_TransInhibit	Transmission Inhibit	15,1	A1:1	I_BrkLtSeFrSig	A36.JB:13 12,1
					I_BrkLtSeRrSig	A51.J1:10 12,1
					I_SldO1LimitInSe	A56.J1:11 20,1
					I_SldO2LimitInSe	A57.J1:11 20,1
					I_SldO3LimitInSe	A58.J1:11
A50.J1:20	O_RevLbBuz	Reverse Alarm and Light Bulb	26,3		B_BatterySaver	.
					B_EngineRun	.
					B_TestMode	.
					B_TestSwBuz2	.
					B_TestSwBuzzer	.
					B_TstModExtLight	.
					B_TstModHvac	.
					B_TstModHvacNext	.
					B_TstModSAC	.
					B_TstModSACNext	.
					B_TestSwBuz3	.
A50.J1:3	O_RevAlarm	Back up alarm	26,3	I 187-A	B_BatterySaver	.

MULTIPLEX OUTPUT LIST

O_xx... = Physical Output Pin ; I_xx... = Physical Input Pin ; D_xx... = CAN Network Signal from the HVAC control Head ; B_xx.. = Multiplex system global Network Variable

Module.Pin#	Signal name	Description	Page	Connected devices	Input involved		
A50.J1:3	O_RevAlarm	Back up alarm	26,3	L187:A	B_EngineRun	.	
					B_TestMode	.	
					B_TestSwBuz2	.	
					B_TestSwBuzzer	.	
					B_TstModExtLight	.	
					B_TstModHvac	.	
					B_TstModHvacNext	.	
					B_TstModSAC	.	
					B_TstModSACNext	.	
					B_TstSwBuz3	.	
					D_NextWheel	.	
					I_RevAlrmSw	A43.J1:6	26,3
A50.J1:4	O_ReClearLb	Rear Clearance Light Bulb	26,2		B_BatterySaver	.	
					B_TstModExtLight	.	
					I_BlinkSw	A43.J1:20	26,1
					I_HdLtPos1Sw	A43.J1:4	26,1
					I_HdLtPos2SwLH	A45.J1:12	26,1
A50.J1:5	O_LHCtrFishLb	Water Filter Indicator Warning	26,2		B_BatterySaver	.	
					B_TstModExtLight	.	
					I_LHFishSwRrSig	A51.J1:9	26,2
					I_RHFishSwRrSig	A51.J1:12	26,2
A50.J1:6	O_BrLtLowerLb		26,2		B_BatterySaver	.	
					B_EngineRun	.	
					B_TstModExtLight	.	
					I_BrkLtSeFrSig	A36.JB:13	12,1
					I_BrkLtSeRrSig	A51.J1:10	12,1
					I_EngBrOnSe	A42.J1:18	
					I_IgnKeySw	A36.JB:2	3,2
					I_RetdrSig	A50.J1:12	15,1
A50.J1:7	O_RHCtrFishLb	Wheel Chair Lift Warning Indicator	26,2		B_BatterySaver	.	
					B_TstModExtLight	.	
					I_LHFishSwRrSig	A51.J1:9	26,2
					I_RHFishSwRrSig	A51.J1:12	26,2
A50.J1:8	O_CtrSdMrkLb	Tag Axle Warning Indicator	26,2		B_BatterySaver	.	
					B_TstModExtLight	.	
					I_BlinkSw	A43.J1:20	26,1
					I_HdLtPos1Sw	A43.J1:4	26,1
					I_HdLtPos2SwLH	A45.J1:12	26,1
A51.J1:1	O_SerBrkTrans	Servise Brake Signal For	15,1	A1:62	I_BrkLtSeFrSig	A36.JB:13	12,1
A51.J1:21	O_LHReFishLb	Left Hand Rear Flasher Light Bulb	26,2		B_BatterySaver	.	
					B_TstModExtLight	.	
					I_LHFishSwRrSig	A51.J1:9	26,2
					I_RHFishSwRrSig	A51.J1:12	26,2

MULTIPLEX OUTPUT LIST

O_xx... = Physical Output Pin ; I_xx... = Physical Input Pin ; D_xx... = CAN Network Signal from the HVAC control Head ; B_xx.. = Multiplex system global Network Variable

Module.Pin#	Signal name	Description	Page	Connected devices	Input involved		
A51.J1:3	O_RHReFishLb	Right Hand Rear Flasher Light Bulb	26,2		B_BatterySaver	.	
					B_TstModExtLight	.	
					I_LHFishSwRrSig	A51.J1:9	26,2
					I_RHFishSwRrSig	A51.J1:12	26,2
A51.J1:4	O_LHDockLb	Left Hand Docking Light Bulb	26,3	L93.A:1	B_BatterySaver	.	
					B_TstModExtLight	.	
					I_DockingLtSw	A55.J1:8	26,3
					I_LowDockLtsSw	A55.J1:9	26,3
A51.J1:5	O_RHDockLb	Right Hand Docking Light Bulb	26,3	L94.A:1	B_BatterySaver	.	
					B_TstModExtLight	.	
					I_DockingLtSw	A55.J1:8	26,3
					I_LowDockLtsSw	A55.J1:9	26,3
A51.J1:6	O_BrLtUpperLb		26,2		B_BatterySaver	.	
					B_EngineRun	.	
					B_TstModExtLight	.	
					I_BrkLtSeFrSig	A36.JB:13	12,1
					I_BrkLtSeRrSig	A51.J1:10	12,1
					I_EngBrOnSe	A42.J1:18	
A51.J1:7	O_CyclopeLt	Cyclope Brake Light	26,2	L81.A:1	B_BatterySaver	.	
					B_TstModExtLight	.	
					I_BrkLtSeFrSig	A36.JB:13	12,1
					I_BrkLtSeRrSig	A51.J1:10	12,1
A51.J1:8	O_ReTailMkLb	Rear Tail Markers Light Bulb	26,2		B_BatterySaver	.	
					B_TstModExtLight	.	
					I_AccKeySw	A36.JB:6	3,2
					I_BlinkSw	A43.J1:20	26,1
					I_EntDrUnlockSw	A41.J1:8	29,1
					I_HazardSw	A36.JB:4	26,1
					I_HdLtPos1Sw	A43.J1:4	26,1
					I_HdLtPos2SwLH	A45.J1:12	26,1
					I_IgnKeySw	A36.JB:2	3,2
					I_KeylessDrUnl	A41.J1:4	29,1
					I_KeylessIntru	A41.J1:7	29,1
					I_KeylessPanic	A41.J1:6	29,1
					I_RrCutOutSw	A36.JB:21	3,2
					I_WakeUp	A36.JB:5	9,1
A52.J1:1	O_EngFanSpd1	Engine Fan Radiator Speed 1	13,1		B_BatterySaver	.	
					B_EngineRun	.	
					B_TestMode	.	
					B_TstModHvac	.	
					B_TstModSAC	.	
					I_AcPresHiSse	A52.J1:13	18,2

MULTIPLEX OUTPUT LIST

O_xx... = Physical Output Pin ; L_xx... = Physical Input Pin ; D_xx... = CAN Network Signal from the HVAC control Head ; B_xx.. = Multiplex system global Network Variable

Module.Pin#	Signal name	Description	Page	Connected devices	Input involved		
A52.J1:1	O_EngFanSpd1	Engine Fan Radiator Speed 1	13,1		I_EngFanSpd1	A52.J1:9	13,1
					I_EngFanSw	A36.JB:14	
					I_FireExt1stAl	A36.JB:23	38,1
					I_FireExt2ndAlm	A44.J1:10	38,1
					I_FireSensorA36	A41.J1:10	9,1
A52.J1:2	O_EngFanSpd2	Engine Fan Radiator Speed 2	13,1		B_BatterySaver	.	
					B_EngineRun	.	
					B_TestMode	.	
					B_TstModHvac	.	
					B_TstModSAC	.	
					I_AcPresHiSse	A52.J1:13	18,2
					I_EngFanSpd1	A52.J1:9	13,1
					I_EngFanSpd2	A52.J1:10	13,1
					I_EngFanSw	A36.JB:14	
					I_FireExt1stAl	A36.JB:23	38,1
					I_FireExt2ndAlm	A44.J1:10	38,1
I_FireSensorA36	A41.J1:10	9,1					
A52.J1:20	O_AcCluSol	Hvac AC Clutch Solenoid	18,2		B_BatterySaver	.	
					B_EngineRun	.	
					B_TestMode	.	
					B_TstModHvac	.	
					B_TstModSAC	.	
					I_AcPresHiSse	A52.J1:13	18,2
I_AcPresLoSse	A52.J1:14	18,2					
A52.J1:21	O_AcUnldRH	Hvac Right Hand Cylinder Unloader	18,2		B_BatterySaver	.	
					B_EngineRun	.	
					B_TestMode	.	
					B_TstModHvac	.	
					D_PassSetPts	.	
					I_AcPresHiSse	A52.J1:13	18,2
I_AcPresLoSse	A52.J1:14	18,2					
A52.J1:5	O_EngCmptLbZF	Engine Compartment Light Switch	25,1		I_EngCmptLtSw	A52.J1:11	25,1
A52.J1:8	O_AcUnldLH	Hvac Left Hand Cylinder Unloader	18,2		B_BatterySaver	.	
					B_EngineRun	.	
					B_TestMode	.	
					B_TstModHvac	.	
					D_PassSetPts	.	
					I_AcPresHiSse	A52.J1:13	18,2
I_AcPresLoSse	A52.J1:14	18,2					
A53.J1:1	O_StarterRlyRtn	Starter Relay Return	3,2	Term49	I_IgnKeySw	A36.JB:2	3,2
A53.J1:6	O_StarterRel	Starter Relay	3,2		B_BatterySaver	.	
					B_EngineRun	.	
					B_TestMode	.	

MULTIPLEX OUTPUT LIST

O_xx... = Physical Output Pin ; I_xx... = Physical Input Pin ; D_xx... = CAN Network Signal from the HVAC control Head ; B_xx.. = Multiplex system global Network Variable

Module.Pin#	Signal name	Description	Page	Connected devices	Input involved		
A53.J1:6	O_StarterRel	Starter Relay	3,2		B_TstModHvac	.	
					B_TstModSAC	.	
					I_AccKeySw	A36.JB:6	3,2
					I_EngStaRrSw	A53.J1:11	3,2
					I_EntDrUnlockSw	A41.J1:8	29,1
					I_FrEngStaSw	A36.JB:22	3,2
					I_FrStrtEnSw	A53.J1:9	3,2
					I_HazardSw	A36.JB:4	26,1
					I_IgnKeySw	A36.JB:2	3,2
					I_KeylessDrUnl	A41.J1:4	29,1
					I_KeylessIntru	A41.J1:7	29,1
					I_NeutralSe	A50.J1:11	15,1
					I_RrCutOutSw	A36.JB:21	3,2
					I_RrStrtEnSw	A53.J1:10	3,2
I_StartLockOut	A53.J1:12						
I_WakeUp	A36.JB:5	9,1					
A54.J1:1	O_CndSpd2Rel	Condensor Fan Speed 2 Relay	18,2	R9.A:2	B_BatterySaver	.	
					B_EngineRun	.	
					B_LowVoltage	.	
					B_TestMode	.	
					B_TstModHvac	.	
					D_DriverSetPts	.	
					D_OnOffPassSw	.	
					D_PassSetPts	.	
					I_AcPresHiSSe	A52.J1:13	18,2
					I_AcPresLoSSe	A52.J1:14	18,2
					I_BatMonMod54	A54.J1:24	6,1
					I_CoilTherSe	A47.J1:11	18,1
					I_DrvTempSe	A55.J1:1	18,1
					I_FireExt1stAl	A36.JB:23	38,1
I_FireExt2ndAlm	A44.J1:10	38,1					
I_FireSensorA36	A41.J1:10	9,1					
I_FrontOutTemp	A47.J1:14	18,1					
I_OutDoorTempSe	A54.J1:14	18,1					
A54.J1:2	O_EvaSpd2Rel	Evaporator Fan Speed 2	18,2	TermMo9	B_BatterySaver	.	
					B_EngineRun	.	
					B_LowVoltage	.	
					B_TestMode	.	
					B_TstModHvac	.	
					D_OnOffPassSw	.	
					D_PassSetPts	.	
					I_Alt2Voltage	A49.J1:9	3,2
I_BatMonMod53	A53.J1:24	6,1					

MULTIPLEX OUTPUT LIST

O_xx... = Physical Output Pin ; I_xx... = Physical Input Pin ; D_xx... = CAN Network Signal from the HVAC control Head ; B_xx.. = Multiplex system global Network Variable

Module.Pin#	Signal name	Description	Page	Connected devices	Input involved		
A54.J1:2	O_EvaSpd2Rel	Evaporator Fan Speed 2	18,2	TermMo9	I_BatMonMod54	A54.J1:24	6,1
					I_FireExt1stAl	A36.JB:23	38,1
					I_FireExt2ndAlm	A44.J1:10	38,1
					I_FireSensorA36	A41.J1:10	9,1
A54.J1:20	O_ACRecPass	A/C Pass. Gaz Cylinder Recycle	18,2	L205.A:1	B_BatterySaver	.	
					B_EngineRun	.	
					B_TestMode	.	
					B_TstModHvac	.	
					B_TstModSAC	.	
					D_RecSw	.	
A54.J1:3	O_PasRfgSol	Passenger Refrigerent Solenoid	18,2	D11.A:1	B_BatterySaver	.	
					B_EngineRun	.	
					B_LowVoltage	.	
					B_TestMode	.	
					B_TstModHvac	.	
					D_DriverSetPts	.	
					D_OnOffPassSw	.	
					D_PassSetPts	.	
					I_BatMonMod54	A54.J1:24	6,1
					I_CoilTherSe	A47.J1:11	18,1
					I_DrvTempSe	A55.J1:1	18,1
					I_FireExt1stAl	A36.JB:23	38,1
					I_FireExt2ndAlm	A44.J1:10	38,1
					I_FireSensorA36	A41.J1:10	9,1
					I_FrontOutTemp	A47.J1:14	18,1
					I_OutDoorTempSe	A54.J1:14	18,1
A54.J1:4	O_ACWaterPmp	Hvac Water Pump	18,2		B_BatterySaver	.	
					B_EngineRun	.	
					B_OneAltCharging	.	
					B_TestMode	.	
					B_TstModHvac	.	
					D_DrvFnSpdBit0	.	
					D_DrvFnSpdBit1	.	
					D_DrvFnSpdBit2	.	
					D_OnOffPassSw	.	
					D_PassSetPts	.	
					I_BatMonMod54	A54.J1:24	6,1
					I_FireExt1stAl	A36.JB:23	38,1
					I_FireExt2ndAlm	A44.J1:10	38,1
					I_FireSensorA36	A41.J1:10	9,1
					I_FrontOutTemp	A47.J1:14	18,1
					I_OutDoorTempSe	A54.J1:14	18,1
A54.J1:5	O_CndSnd1Rel	Condensor Fan Speed 1 Relav	18,2	R10.A:2	B_BatterySaver	.	

MULTIPLEX OUTPUT LIST

O_xx... = Physical Output Pin ; I_xx... = Physical Input Pin ; D_xx... = CAN Network Signal from the HVAC control Head ; B_xx.. = Multiplex system global Network Variable

Module.Pin#	Signal name	Description	Page	Connected devices	Input involved	
A54.J1:5	O_CndSpd1Rel	Condensor Fan Speed 1 Relay	18,2	R10.A:2	B_EngineRun	.
					B_LowVoltage	.
					B_TestMode	.
					B_TstModHvac	.
					D_DriverSetPts	.
					D_OnOffPassSw	.
					D_PassSetPts	.
					I_AcPresHiSse	A52.J1:13 18,2
					I_AcPresLoSse	A52.J1:14 18,2
					I_BatMonMod54	A54.J1:24 6,1
					I_CoilTherSe	A47.J1:11 18,1
					I_DrvTempSe	A55.J1:1 18,1
					I_FireExt1stAl	A36.JB:23 38,1
					I_FireExt2ndAlm	A44.J1:10 38,1
					I_FireSensorA36	A41.J1:10 9,1
					I_FrontOutTemp	A47.J1:14 18,1
					I_OutDoorTempSe	A54.J1:14 18,1
A54.J1:7	O_EvaSpd1Rel	Evaporator Fan Speed 1 Relay	18,2	R12.A:2	B_BatterySaver	.
					B_EngineRun	.
					B_LowVoltage	.
					B_TestMode	.
					B_TstModHvac	.
					D_OnOffPassSw	.
					I_BatMonMod54	A54.J1:24 6,1
					I_FireExt1stAl	A36.JB:23 38,1
					I_FireExt2ndAlm	A44.J1:10 38,1
					I_FireSensorA36	A41.J1:10 9,1
A54.J1:8	O_PasHeatSol	Passenger Heat Solenoid Valve	18,2	So13.A:1	B_BatterySaver	.
					B_EngineRun	.
					B_OneAltCharging	.
					B_TestMode	.
					B_TstModHvac	.
					B_TstModSAC	.
					D_DriverSetPts	.
					D_DrvFnSpdBit0	.
					D_DrvFnSpdBit1	.
					D_DrvFnSpdBit2	.
					D_OnOffPassSw	.
					D_PassSetPts	.
					I_BatMonMod54	A54.J1:24 6,1
					I_DefrostHighSw	A47.J1:10 18,1
					I_DefrostLowSw	A47.J1:12 18,1
					I_FireExt1stAl	A36.JB:23 38,1

MULTIPLEX OUTPUT LIST

O_xx... = Physical Output Pin ; I_xx... = Physical Input Pin ; D_xx... = CAN Network Signal from the HVAC control Head ; B_xx.. = Multiplex system global Network Variable

Module.Pin#	Signal name	Description	Page	Connected devices	Input involved		
A54.J1:8	O_PasHeatSol	Passenger Heat Solenoid Valve	18,2	So13.A:1	I_FireExt2ndAlm	A44.J1:10	38,1
					I_FireSensorA36	A41.J1:10	9,1
					I_FrontOutTemp	A47.J1:14	18,1
					I_OutDoorTempSe	A54.J1:14	18,1
A55.J1:12	O_JacobBrk1	Jacob Brake 1	32,1		I_RetarderSel	A55.J1:10	12,1
A55.J1:13	O_SunVisorDown		32,1		I_VIPSteerWh1	A55.J1:3	32,1
					I_VIPSteerWh2	A55.J1:4	32,1
					I_VIPSteerWh5V	A55.J1:2	32,1
A55.J1:14	O_JacobBrk2	Jacob Brake 2	32,1		I_RetarderSel	A55.J1:10	12,1
A55.J1:30	O_SunVisrDrvPass		32,1	R45:86	I_VIPSteerWh1	A55.J1:3	32,1
					I_VIPSteerWh2	A55.J1:4	32,1
					I_VIPSteerWh5V	A55.J1:2	32,1
A56.J1:1	O_SldO1MoSpeedA	Slide-Out 1 Motor Speed Control A	20,1		I_BatMonMod56	A56.J1:24	6,1
					I_SldO1CloseSw	A56.J1:10	20,1
					I_SldO1LimiOutSw	A56.J1:14	20,1
					I_SldO1LimitInSe	A56.J1:11	20,1
					I_SldO1OpenSw	A56.J1:9	20,1
					I_SldO1PBrakeSw	A56.J1:12	20,1
					I_SldO1VacPrSe	A56.J1:13	20,1
A56.J1:2	O_SldO1MoSpeedB	Slide-Out 1 Motor Speed Control B	20,1		I_BatMonMod56	A56.J1:24	6,1
					I_SldO1CloseSw	A56.J1:10	20,1
					I_SldO1LimiOutSw	A56.J1:14	20,1
					I_SldO1LimitInSe	A56.J1:11	20,1
					I_SldO1OpenSw	A56.J1:9	20,1
					I_SldO1PBrakeSw	A56.J1:12	20,1
					I_SldO1VacPrSe	A56.J1:13	20,1
A56.J1:20	O_SldO1Motpos	Slide_Out 1 Motor +	20,1	RSo1.B:1	I_BatMonMod56	A56.J1:24	6,1
					I_SldO1CloseSw	A56.J1:10	20,1
					I_SldO1LimiOutSw	A56.J1:14	20,1
					I_SldO1LimitInSe	A56.J1:11	20,1
					I_SldO1OpenSw	A56.J1:9	20,1
					I_SldO1PBrakeSw	A56.J1:12	20,1
A56.J1:21	O_SldO1SecuPinSo	Slide-Out 1 Security Pins	20,1		I_SldO1VacPrSe	A56.J1:13	20,1
					I_SldO1LimitInSe	A56.J1:11	20,1
					I_SldO1PBrakeSw	A56.J1:12	20,1
					I_SldO2LimitInSe	A57.J1:11	20,1
					I_SldO2PBrakeSw	A57.J1:12	20,1
A56.J1:3	O_SldO1RemoteLed	Slide_Out 1 Remote Led	20,1	SwSo1.A:2	I_SldO3LimitInSe	A58.J1:11	
					I_SldO3PBrakeSw	A58.J1:12	
					I_BatMonMod56	A56.J1:24	6,1
					I_SldO1CloseSw	A56.J1:10	20,1
					I_SldO1LimiOutSw	A56.J1:14	20,1
					I_SldO1LimitInSe	A56.J1:11	20,1

MULTIPLEX OUTPUT LIST

O_xx... = Physical Output Pin ; L_xx... = Physical Input Pin ; D_xx... = CAN Network Signal from the HVAC control Head ; B_xx.. = Multiplex system global Network Variable

Module.Pin#	Signal name	Description	Page	Connected devices	Input involved		
A56.J1:3	O_SldO1RemoteLed	Slide_Out 1 Remote Led	20,1	SwSo1.A:2	I_SldO1OpenSw	A56.J1:9	20,1
					I_SldO1PBrakeSw	A56.J1:12	20,1
					I_SldO1Supply5v	A56.J1:15	20,1
					I_SldO1VacPrSe	A56.J1:13	20,1
A56.J1:4	O_SldO1SealInfSo	Slide_Out 1 Seal Inflating Valve	20,1	SoSo5:1	I_SldO1CloseSw	A56.J1:10	20,1
					I_SldO1LimiOutSw	A56.J1:14	20,1
					I_SldO1LimitInSe	A56.J1:11	20,1
					I_SldO1OpenSw	A56.J1:9	20,1
A56.J1:5	O_SldO1SealDefSo	Slide_Out 1 Seal Deflating Valve	20,1	SoSo1:1	I_BatMonMod56	A56.J1:24	6,1
					I_SldO1CloseSw	A56.J1:10	20,1
					I_SldO1LimiOutSw	A56.J1:14	20,1
					I_SldO1LimitInSe	A56.J1:11	20,1
					I_SldO1OpenSw	A56.J1:9	20,1
					I_SldO1PBrakeSw	A56.J1:12	20,1
A56.J1:6	O_SldO1VaccGenSo	Slide_Out 1 Seal Vaccum Generator	20,1	SoSo2:1	I_BatMonMod56	A56.J1:24	6,1
					I_BatMonMod57	A57.J1:24	6,1
					I_BatMonMod58	A58.J1:24	
					I_SldO1CloseSw	A56.J1:10	20,1
					I_SldO1LimiOutSw	A56.J1:14	20,1
					I_SldO1LimitInSe	A56.J1:11	20,1
					I_SldO1OpenSw	A56.J1:9	20,1
					I_SldO1PBrakeSw	A56.J1:12	20,1
					I_SldO2CloseSw	A57.J1:10	20,1
					I_SldO2LimiOutSw	A57.J1:14	20,1
					I_SldO2LimitInSe	A57.J1:11	20,1
					I_SldO2OpenSw	A57.J1:9	20,1
					I_SldO2PBrakeSw	A57.J1:12	20,1
					I_SldO3CloseSw	A58.J1:10	
					I_SldO3LimiOutSw	A58.J1:14	
					I_SldO3LimitInSe	A58.J1:11	
I_SldO3OpenSw	A58.J1:9						
I_SldO3PBrakeSw	A58.J1:12						
A56.J1:7	O_SldO1Motneg	Slide_Out 1 Motor -	20,1	RSO2.B:1	I_BatMonMod56	A56.J1:24	6,1
					I_SldO1CloseSw	A56.J1:10	20,1
					I_SldO1LimiOutSw	A56.J1:14	20,1
					I_SldO1LimitInSe	A56.J1:11	20,1
					I_SldO1OpenSw	A56.J1:9	20,1
					I_SldO1PBrakeSw	A56.J1:12	20,1
A57.J1:1	O_SldO2MoSpeedA	Slide-Out 2 Motor Speed Control A	20,1		I_SldO1VacPrSe	A56.J1:13	20,1
					I_BatMonMod57	A57.J1:24	6,1
					I_SldO2CloseSw	A57.J1:10	20,1
					I_SldO2LimiOutSw	A57.J1:14	20,1

MULTIPLEX OUTPUT LIST

O_xx... = Physical Output Pin ; I_xx... = Physical Input Pin ; D_xx... = CAN Network Signal from the HVAC control Head ; B_xx.. = Multiplex system global Network Variable

Module.Pin#	Signal name	Description	Page	Connected devices	Input involved		
A57.J1:1	O_SldO2MoSpeedA	Slide-Out 2 Motor Speed Control A	20,1		I_SldO2LimitInSe	A57.J1:11	20,1
					I_SldO2OpenSw	A57.J1:9	20,1
					I_SldO2PBrakeSw	A57.J1:12	20,1
A57.J1:2	O_SldO2MoSpeedB	Slide-Out 2 Motor Speed Control B	20,1		I_BatMonMod57	A57.J1:24	6,1
					I_SldO1VacPrSe	A56.J1:13	20,1
					I_SldO2CloseSw	A57.J1:10	20,1
					I_SldO2LimiOutSw	A57.J1:14	20,1
					I_SldO2LimitInSe	A57.J1:11	20,1
					I_SldO2OpenSw	A57.J1:9	20,1
					I_SldO2PBrakeSw	A57.J1:12	20,1
A57.J1:20	O_SldO2Motpos	Slide_Out 2 Motor +	20,1	RSo3.B:1	I_BatMonMod57	A57.J1:24	6,1
					I_SldO1VacPrSe	A56.J1:13	20,1
					I_SldO2CloseSw	A57.J1:10	20,1
					I_SldO2LimiOutSw	A57.J1:14	20,1
					I_SldO2LimitInSe	A57.J1:11	20,1
					I_SldO2OpenSw	A57.J1:9	20,1
					I_SldO2PBrakeSw	A57.J1:12	20,1
A57.J1:3	O_SldO2RemoteLed	Slide_Out 2 Remote Led	20,1	SwSo2.A:2	I_BatMonMod57	A57.J1:24	6,1
					I_SldO1VacPrSe	A56.J1:13	20,1
					I_SldO2CloseSw	A57.J1:10	20,1
					I_SldO2LimiOutSw	A57.J1:14	20,1
					I_SldO2LimitInSe	A57.J1:11	20,1
					I_SldO2OpenSw	A57.J1:9	20,1
					I_SldO2PBrakeSw	A57.J1:12	20,1
					I_SldO2Supply5v	A57.J1:15	20,1
A57.J1:4	O_SldO2SealInfSo	Slide_Out 2 Seal Inflating Valve	20,1		I_SldO2CloseSw	A57.J1:10	20,1
					I_SldO2LimiOutSw	A57.J1:14	20,1
					I_SldO2LimitInSe	A57.J1:11	20,1
					I_SldO2OpenSw	A57.J1:9	20,1
A57.J1:5	O_SldO2SealDefSo	Slide_Out 2 Seal Deflating Valve	20,1	SoSo3:1	I_BatMonMod57	A57.J1:24	6,1
					I_SldO2CloseSw	A57.J1:10	20,1
					I_SldO2LimiOutSw	A57.J1:14	20,1
					I_SldO2LimitInSe	A57.J1:11	20,1
					I_SldO2OpenSw	A57.J1:9	20,1
					I_SldO2PBrakeSw	A57.J1:12	20,1
A57.J1:7	O_SldO2Motneg	Slide_Out 2 Motor -	20,1	RSo4.B:1	I_BatMonMod57	A57.J1:24	6,1
					I_SldO1VacPrSe	A56.J1:13	20,1
					I_SldO2CloseSw	A57.J1:10	20,1
					I_SldO2LimiOutSw	A57.J1:14	20,1
					I_SldO2LimitInSe	A57.J1:11	20,1
					I_SldO2OpenSw	A57.J1:9	20,1
					I_SldO2PBrakeSw	A57.J1:12	20,1
A58.J1:1	O_SldO3MoSpeedA				I_BatMonMod58	A58.J1:24	

MULTIPLEX OUTPUT LIST

O_xx... = Physical Output Pin ; I_xx... = Physical Input Pin ; D_xx... = CAN Network Signal from the HVAC control Head ; B_xx.. = Multiplex system global Network Variable

Module.Pin#	Signal name	Description	Page	Connected devices	Input involved		
A58.J1:1	O_SldO3MoSpeedA				I_SldO1VacPrSe	A56.J1:13	20,1
					I_SldO3CloseSw	A58.J1:10	
					I_SldO3LimiOutSw	A58.J1:14	
					I_SldO3LimitInSe	A58.J1:11	
					I_SldO3OpenSw	A58.J1:9	
					I_SldO3PBrakeSw	A58.J1:12	
A58.J1:2	O_SldO3MoSpeedB				I_BatMonMod58	A58.J1:24	
					I_SldO1VacPrSe	A56.J1:13	20,1
					I_SldO3CloseSw	A58.J1:10	
					I_SldO3LimiOutSw	A58.J1:14	
					I_SldO3LimitInSe	A58.J1:11	
					I_SldO3OpenSw	A58.J1:9	
A58.J1:20	O_SldO3Motpos				I_BatMonMod58	A58.J1:24	
					I_SldO1VacPrSe	A56.J1:13	20,1
					I_SldO3CloseSw	A58.J1:10	
					I_SldO3LimiOutSw	A58.J1:14	
					I_SldO3LimitInSe	A58.J1:11	
					I_SldO3OpenSw	A58.J1:9	
A58.J1:3	O_SldO3RemoteLed				I_BatMonMod58	A58.J1:24	
					I_SldO1VacPrSe	A56.J1:13	20,1
					I_SldO3CloseSw	A58.J1:10	
					I_SldO3LimiOutSw	A58.J1:14	
					I_SldO3LimitInSe	A58.J1:11	
					I_SldO3OpenSw	A58.J1:9	
A58.J1:4	O_SldO3SealInfSo				I_SldO3CloseSw	A58.J1:10	
					I_SldO3LimiOutSw	A58.J1:14	
					I_SldO3LimitInSe	A58.J1:11	
					I_SldO3OpenSw	A58.J1:9	
					I_SldO3PBrakeSw	A58.J1:12	
					I_SldO3Supply5v	A58.J1:15	
A58.J1:5	O_SldO3SealDefSo				I_BatMonMod58	A58.J1:24	
					I_SldO3CloseSw	A58.J1:10	
					I_SldO3LimiOutSw	A58.J1:14	
					I_SldO3LimitInSe	A58.J1:11	
					I_SldO3OpenSw	A58.J1:9	
					I_SldO3PBrakeSw	A58.J1:12	
A58.J1:7	O_SldO3Motneg				I_BatMonMod58	A58.J1:24	
					I_SldO1VacPrSe	A56.J1:13	20,1
					I_SldO3CloseSw	A58.J1:10	
					I_SldO3LimiOutSw	A58.J1:14	
					I_SldO3LimitInSe	A58.J1:11	

MULTIPLEX OUTPUT LIST

O_xx... = Physical Output Pin ; I_xx... = Physical Input Pin ; D_xx... = CAN Network Signal from the HVAC control Head ; B_xx.. = Multiplex system global Network Variable

Module.Pin#	Signal name	Description	Page	Connected devices	Input involved		
A58.J1:7	O_SldO3Motneg				I_SldO3OpenSw	A58.J1:9	
					I_SldO3PBrakeSw	A58.J1:12	

MULTIPLEX INPUT LIST

O_xx... = Physical Output Pin ; I_xx... = Physical Input Pin ; D_xx... = CAN Network Signal from the HVAC control Head ; B_xx.. = Multiplex system global Network Variable

Module.Pin#	Signal name	Description	Page	Connected devices
.	I_AccKeySw	Accessories Key switch		
.	I_BackUpCamSw	Back up camera switch		
.	I_BlinkSw	Courtesy Blink Switch		
.	I_CorneringLtSw	Cornering Light Switch		
.	I_DockingLtSw	Docking Lights Switch		
.	I_DrvLtSw	Driver Light Switch		
.	I_EngFanSw	Radiator Fan Switch		
.	I_EngFanSw2			
.	I_EntDorLockSw	VIP Entrance Door Lock Switch		
.	I_EntDorOpSe	Entrance Door Open Sensor		
.	I_EntDrUnlockSw	Entrance door unlock switch		
.	I_EtherSw	Ether Switch		
.	I_FireExt1stAl			
.	I_FireExt2ndAlm			
.	I_FireSensorA36	Fire Sensor On A36		
.	I_FogLightSw	Fog Lights Switch		
.	I_HazardSw	Hazard Switch		
.	I_HdLtHiLowBmSw	Head Lights High and Low Beam Switch		
.	I_HdLtPos1Sw	Head Light Switch Position Markers		
.	I_HdLtPos2SwLH	Head Light Switch Beam Position 2 LH		
.	I_HeadLmpWshSw			
.	I_HiBeamCallSw	Hi/Low Beam Switch		
.	I_HornSw	Horn Switch		
.	I_IgnKeySw	Ignition Key switch		
.	I_InputTest			
.	I_KeylessDrUnl	Keyless door unlock signal		
.	I_KeylessEntReq			
.	I_KeylessIntru	Keyless intrusion signal		
.	I_KeylessLockAll	Keyless lock all doors signal		
.	I_KeylessLuggUnl	Keyless luggages doors unlock signal		
.	I_KeylessPanic	Keyless panic button signal		
.	I_LevellowSw	Level low switch		
.	I_LHFishSw	Left Hand Flasher Switch		
.	I_LowDockLtsSw	Low docking lights switch		
.	I_LugDorLkSw	Luggage Door Lock Switch		
.	I_LugDorULkSw	Luggage Door Unlock Switch		
.	I_LwWipIntSw	Lower Wiper Intermitant Switch		
.	I_LwWshSw	Lower Wiper Washer Switch		
.	I_RevAlrmSw	Reverse alarm switch		
.	I_RrCutOutSw	Rear Junction Box CutOut Switch		
.	I_StopEngSe	Stop Engine Sensor		
.	I_UpperDefFanSw	Upper Defrost Dash Switch		
.	I_WakeUp	Wake up signal (Fire alarm. horn. kevless module)		

MULTIPLEX INPUT LIST

O_xx... = Physical Output Pin ; I_xx... = Physical Input Pin ; D_xx... = CAN Network Signal from the HVAC control Head ; B_xx... = Multiplex system global Network Variable

Module.Pin#	Signal name	Description	Page	Connected devices
A47.J1:11	I_CoilTherSe	Coil sensing thermostat	18.1	Se52.A:1
A47.J1:14	I_FrontOutTemp	Front outside temperature sensor	18.1	Se50:B
A48.J1:10	I_HdLtPos2SwRH	Head Light Switch Beam Position 2 RH	26.1	
A48.J1:12	I_RHFlshSw	Right Hand Flasher Switch	26.1	
A48.J1:9	I_EntDrUnSw	Entrance door unlock switch	29.1	D56.A:1, D56.B:1
A49.J1:3	I_AcDorOpSe	Condensor Door Open Switch		
A49.J1:5	I_LuggDrUnSe	Luggages doors unlock sensor	24.1	Sw113:2, Sw134.B:1, Sw134.A:1
A49.J1:9	I_Alt2Voltage			
A51.J1:12	I_RHFlshSwRrSig	RH FlasherSwitch Rear Signal	26.2	
A51.J1:9	I_LHFlshSwRrSig	LH FlasherSwitch Rear Signal	26.2	
A52.J1:10	I_EngFanSpd2	Engine Fan Signal Speed 2	13.1	A73.J2:9
A52.J1:11	I_EngCmptLtSw	Engine Compartment Light Switch	25.1	
A52.J1:13	I_AcPresHiSse	Ac Pressure High Side Sensor	18.2	Se23:C
A52.J1:14	I_AcPresLoSse	Ac Pressure Low Side Sensor	18.2	Se24:C
A52.J1:9	I_EngFanSpd1	Engine Fan Signal Speed 1	13.1	A73.J2:10
A54.J1:14	I_OutDoorTempSe	Outside Temperature Sensor	18.1	Se20:B
A56.J1:10	I_SldO1CloseSw	Slide-Out 1 Close Sw	20.1	SwSo1.A:4
A56.J1:11	I_SldO1LimitInSe	Slide-Out 1 Limit In Detection Sw	20.1	SES02.A:2
A56.J1:12	I_SldO1PBrakeSw	Slide-Out 1 Parking Brake Sw	20.1	
A56.J1:13	I_SldO1VacPrSe	Slide-Out 1 Vaccum Pressure Transducer	20.1	SES01.A:C
A56.J1:14	I_SldO1LimiOutSw	Slide-Out 1 Limit Out Detection Sw	20.1	SES03.A:2
A56.J1:15	I_SldO1Supply5v	Slide Out 1 5v Supply	20.1	
A56.J1:24	I_BatMonMod56		6.1	A56.J1:27
A56.J1:9	I_SldO1OpenSw	Slide-Out 1 Open Sw	20.1	SwSo1.A:5
A57.J1:10	I_SldO2CloseSw	Slide-Out 2 Close Sw	20.1	SwSo2.A:4
A57.J1:11	I_SldO2LimitInSe	Slide-Out 2 Limit In Detection Sw	20.1	SES05.A:2
A57.J1:12	I_SldO2PBrakeSw	Slide-Out 2 Parking Brake Sw	20.1	
A57.J1:14	I_SldO2LimiOutSw	Slide-Out 2 Limit Out Detection Sw	20.1	SES06.A:2
A57.J1:15	I_SldO2Supply5v	Slide Out 2 5v Supply	20.1	
A57.J1:24	I_BatMonMod57		6.1	A57.J1:29
A57.J1:9	I_SldO2OpenSw	Slide-Out 2 Open Sw	20.1	SwSo2.A:5

MULTIPLEX INPUT LIST

O_xx... = Physical Output Pin ; I_xx... = Physical Input Pin ; D_xx... = CAN Network Signal from the HVAC control Head ; B_xx... = Multiplex system global Network Variable

Module.Pin#	Signal name	Description	Page	Connected devices
A36.JB:11	I_InputTest		9.1	Sw13:3
A36.JB:13	I_BrkLtSeFrSig	Brake Lights Sensor	12.1	
A36.JB:14	I_EngFanSw	Radiator Fan Switch		
A36.JB:2	I_IgnKeySw	Ignition Key switch	3.2	
A36.JB:21	I_RrCutOutSw	Rear Junction Box CutOut Switch	3.2	
A36.JB:22	I_FrEngStaSw	Front Engine Start Switch	3.2	Sw83.D:1
A36.JB:23	I_FireExt1stAl		38.1	
A36.JB:4	I_HazardSw	Hazard Switch	26.1	Sw4:3
A36.JB:5	I_WakeUp	Wake up signal (Fire alarm, horn, keyless module)	9.1	A41.J1:16
A36.JB:6	I_AccKeySw	Accessories Key switch	3.2	
A36.JB:9	I_ParkBrSe	Parking Brake Sensor	12.1	
A41.J1:10	I_FireSensorA36	Fire Sensor On A36	9.1	
A41.J1:17	I_LugDorLkSw	Luggage Door Lock Switch	24.2	
A41.J1:18	I_KeylessLuggUnl	Keyless luggages doors unlock signal	29.1	A31.B:11
A41.J1:19	I_KeylessLockAll	Keyless lock all doors signal	29.1	A31.B:22
A41.J1:2	I_DrvLtSw	Driver Light Switch	19.1	Sw24:3
A41.J1:20	I_LugDorULkSw	Luggage Door Unlock Switch	24.2	
A41.J1:21	I_KeylessEntReq		29.1	A31.B:10
A41.J1:3	I_HornSw	Horn Switch	9.1	
A41.J1:4	I_KeylessDrUnl	Keyless door unlock signal	29.1	A31.A:1
A41.J1:5	I_EntDorOpSe	Entrance Door Open Sensor	29.1	D73.A:1
A41.J1:6	I_KeylessPanic	Keyless panic button signal	29.1	A31.B:8
A41.J1:7	I_KeylessIntru	Keyless intrusion signal	29.1	A31.B:9
A41.J1:8	I_EntDrUnlockSw	Entrance door unlock switch	29.1	
A41.J1:9	I_EntDorLockSw	VIP Entrance Door Lock Switch	29.1	Sw104:6
A42.J1:18	I_EngBrOnSe	Engine Brake ACTIVE Sensor		
A42.J1:19	I_UpperDefFanSw	Upper Defrost Dash Switch	18.1	
A42.J1:5	I_EtherSw	Ether Switch	13.1	Sw23:3
A42.J1:7	I_LevelLowSw	Level low switch	28.1	
A42.J1:8	I_LwWiplntSw	Lower Wiper Intermitant Switch	31.1	Sw1.C258:7
A42.J1:9	I_StopEngSe	Stop Engine Sensor		
A43.J1:20	I_BlinkSw	Courtesy Blink Switch	26.1	Sw1.C258:5
A43.J1:3	I_HiBeamCallSw	Hi/Low Beam Switch	26.1	Sw1.C259:4
A43.J1:4	I_HdLtPos1Sw	Head Light Switch Position Markers	26.1	
A43.J1:6	I_RevAlrmSw	Reverse alarm switch	26.3	
A43.J1:7	I_HornSelectSw	Horn Select switch	9.1	Sw63A:3
A43.J1:8	I_HdLtHiLowBmSw	Head Lights High and Low Beam Switch	26.1	Sw1.C258:8
A44.J1:10	I_FireExt2ndAlm		38.1	A130:11
A45.J1:12	I_HdLtPos2SwLH	Head Light Switch Beam Position 2 LH	26.1	
A45.J1:9	I_LHFishSw	Left Hand Flasher Switch	26.1	
A46.J1:24	I_BatMonMod46		6.1	A46.J1:26
A46.J1:9	I_LwWshSw	Lower Wiper Washer Switch	31.1	Sw1.C258:6
A47.J1:10	I_DefrostHighSw	Passenger defrost speed increase switch	18.1	Sw122:3

MULTIPLEX INPUT LIST

O_xx... = Physical Output Pin ; I_xx... = Physical Input Pin ; D_xx... = CAN Network Signal from the HVAC control Head ; B_xx... = Multiplex system global Network Variable

Module.Pin#	Signal name	Description	Page	Connected devices
A47.J1:11	I_CoilTherSe	Coil sensing thermostat	18.1	Se52.A:1
A47.J1:12	I_DefrostLowSw	Passenger defrost speed decrease switch	18.1	Sw122:4
A47.J1:14	I_FrontOutTemp	Front outside temperature sensor	18.1	Se50:B
A47.J1:24	I_BatMonMod47		6.1	A47.J1:27
A48.J1:10	I_HdLtPos2SwRH	Head Light Switch Beam Position 2 RH	26.1	
A48.J1:12	I_RHFlshSw	Right Hand Flasher Switch	26.1	
A48.J1:9	I_EntDrUnSw	Entrance door unlock switch	29.1	D56.A:1, D56.B:1
A49.J1:3	I_AcDorOpSe	Condensor Door Open Switch		
A49.J1:5	I_LuggDrUnSe	Luggages doors unlock sensor	24.1	Sw113:2, Sw134.B:1, Sw134.A:1
A49.J1:9	I_Alt2Voltage		3.2	
A50.J1:11	I_NeutralSe	Neutral Signal Sensor	15.1	A1:41
A50.J1:12	I_RetdrSig	Retarder Signal	15.1	A1:24
A51.J1:10	I_BrkLtSeRrSig	Brake Lights Sensor	12.1	
A51.J1:12	I_RHFlshSwRrSig	RH FlasherSwitch Rear Signal	26.2	
A51.J1:9	I_LHFlshSwRrSig	LH FlasherSwitch Rear Signal	26.2	
A52.J1:10	I_EngFanSpd2	Engine Fan Signal Speed 2	13.1	A73.J2:9
A52.J1:11	I_EngCmptLtSw	Engine Compartment Light Switch	25.1	
A52.J1:13	I_AcPresHiSse	Ac Pressure High Side Sensor	18.2	Se23:C
A52.J1:14	I_AcPresLoSse	Ac Pressure Low Side Sensor	18.2	Se24:C
A52.J1:9	I_EngFanSpd1	Engine Fan Signal Speed 1	13.1	A73.J2:10
A53.J1:10	I_RrStrtEnSw	Rear Start Enable Switch	3.2	
A53.J1:11	I_EngStaRrSw	Engine Start Rear Switch	3.2	Sw59:B
A53.J1:12	I_StartLockOut			
A53.J1:24	I_BatMonMod53		6.1	A53.J1:26
A53.J1:9	I_FrStrtEnSw	Front Start Enable Switch	3.2	Sw58:3
A54.J1:14	I_OutDoorTempSe	Outside Temperature Sensor	18.1	Se20:B
A54.J1:24	I_BatMonMod54		6.1	A54.J1:29
A55.J1:1	I_DrvTempSe	Driver Temperature sensor	18.1	Se21:2
A55.J1:10	I_RetarderSel	Retarder Selected	12.1	Sw16:3
A55.J1:17	I_BackUpCamSw	Back up camera switch		
A55.J1:18	I_HeadLmpWshSw		31.1	Sw6:4
A55.J1:2	I_VIPSteerWh5V		32.1	
A55.J1:3	I_VIPSteerWh1		32.1	A20:1
A55.J1:4	I_VIPSteerWh2		32.1	A20:2
A55.J1:6	I_FogLightSw	Fog Lights Switch	26.3	Sw3:3
A55.J1:7	I_CorneringLtSw	Cornering Light Switch	26.3	Sw99:3
A55.J1:8	I_DockingLtSw	Docking Lights Switch	26.3	Sw99:1
A55.J1:9	I_LowDockLtsSw	Low docking lights switch	26.3	Sw102:3
A56.J1:10	I_SldO1CloseSw	Slide-Out 1 Close Sw	20.1	SwSo1.A:4
A56.J1:11	I_SldO1LimitInSe	Slide-Out 1 Limit In Detection Sw	20.1	SES02.A:2
A56.J1:12	I_SldO1PBrakeSw	Slide-Out 1 Parking Brake Sw	20.1	
A56.J1:13	I_SldO1VacPrSe	Slide-Out 1 Vacuum Pressure Transducer	20.1	SES01.A:C
A56.J1:14	I_SldO1LimiOutSw	Slide-Out 1 Limit Out Detection Sw	20.1	SES03.A:2

MULTIPLEX INTPUT LIST

O_xx... = Physical Ouput Pin ; I_xx... = Physical Input Pin ; D_xx... = CAN Network Signal from the HVAC control Head ; B_xx... = Multiplex system global Network Variable

Module.Pin#	Signal name	Description	Page	Connected devices
A56.J1:15	I_SldO1Supply5v	Slide Out 1 5v Supply	20.1	
A56.J1:24	I_BatMonMod56		6.1	A56.J1:27
A56.J1:9	I_SldO1OpenSw	Slide-Out 1 Open Sw	20.1	SwSo1.A:5
A57.J1:10	I_SldO2CloseSw	Slide-Out 2 Close Sw	20.1	SwSo2.A:4
A57.J1:11	I_SldO2LimitInSe	Slide-Out 2 Limit In Detection Sw	20.1	SES05.A:2
A57.J1:12	I_SldO2PBrakeSw	Slide-Out 2 Parking Brake Sw	20.1	
A57.J1:14	I_SldO2LimiOutSw	Slide-Out 2 Limit Out Detection Sw	20.1	SES06.A:2
A57.J1:15	I_SldO2Supply5v	Slide Out 2 5v Supply	20.1	
A57.J1:24	I_BatMonMod57		6.1	A57.J1:29
A57.J1:9	I_SldO2OpenSw	Slide-Out 2 Open Sw	20.1	SwSo2.A:5
A58.J1:10	I_SldO3CloseSw			
A58.J1:11	I_SldO3LimitInSe			
A58.J1:12	I_SldO3PBrakeSw			
A58.J1:14	I_SldO3LimiOutSw			
A58.J1:15	I_SldO3Supply5v	Slide Out 3 Power Supply		
A58.J1:24	I_BatMonMod58			
A58.J1:9	I_SldO3OpenSw			

MULTIPLEX ERROR MESSAGES LIST

FMI 3 = Shorted High ; FMI 4 = Shorted Low ; FMI 5 = Open Circuit ; FMI 6 = Current above Normal

Cluster message	SID/PSID	FMI	Module.Pin#	Page	Cluster message	SID/PSID	FMI	Module.Pin#	Page
A/C Clutch SO9	PSID #4	3, 4, 5, 6	A52.J1:20		Front Mkr Lts RH L61	PSID #149	3, 4, 6	A48.J1:7	26.1
A/C Pres HiSd SE23	PSID #28	3, 4	A52.J1:13	18.2	Hazard Switch Sw4	PSID #138	3, 4	.	
A/C Pres LoSd SE24	PSID #29	3, 4	A52.J1:14	18.2	Hd Light Call SW1	PSID #140	3, 4	.	
Backup Light & Alm	PSID #167	3, 4, 6	A50.J1:3	26.3	HdLamp Wsh Pmp Mo54	SID #48	3, 4, 6	.	
Blinker SW1	PSID #139	3, 4	.		Head Lights Pos1 SW2	PSID #143	3, 4	.	
Center Flash LH L70	PSID #124	3, 4, 6	A50.J1:5	26.2	Head Lt Sw Pos2 Sw2	PSID #11	3, 4	.	
Center Flash RH L68	PSID #125	3, 4, 6	A50.J1:7	26.2	Hi Low Beam Sw1	PSID #6	3, 4	.	
Center Mkr L67-L70	PSID #27	3, 4, 6	A50.J1:8	26.2	High Beam LH L60	PSID #141	3, 4, 5, 6	.	
Cond Rly spd1 R10	PSID #41	3, 4, 5, 6	A54.J1:5	18.2	High Beam RH L59	PSID #145	3, 4, 5, 6	A48.J1:3	26.1
Cond Rly spd2 R9	PSID #42	3, 4, 5, 6	A54.J1:1	18.2	LH Corner Lts L97	PSID #120	3, 4, 5, 6	.	
Condensor Door Sw7	PSID #7	3, 4	A49.J1:3		LH Docking Light L93	PSID #122	3, 4, 5, 6	A51.J1:4	26.3
Cornering Dash Sw30	PSID #200	3, 4	.		Low Beam LH L60	PSID #142	3, 4, 6	.	
Defr water Pmp Mo50	SID #41	3, 4	A47.J1:20	18.1	Low Beam RH L59	PSID #146	3, 4, 6	A48.J1:4	26.1
Diff Lock sol So35	SID #36	3, 4, 6	A52.J1:4	23.1	Low Wip Spd1 Mo22	PSID #184	3, 4, 5, 6	A47.J1:3	31.1
Docking Dash Sw31	PSID #3	3, 4	.		Lower Washer pmp	PSID #181	4, 6	.	
Driver Light L16	PSID #104	3, 4, 5, 6	A47.J1:6	19.1	Lower Washer SW1	PSID #188	3, 4	.	
Driver Light SW24	PSID #105	3, 4	.		Lower Wip Int SW1	PSID #183	3, 4	.	
Drv Rec Cylind L203	PSID #30	3, 4, 5, 6	A47.J1:2	18.1	Lugg doors locks R30	SID #44	3, 4, 5, 6	.	
Elec Horn L185 L186	PSID #83	3, 4, 5, 6	.		Lugg doors unl R32	SID #45	3, 4, 5, 6	.	
Elec. Horn SW61 SW62	PSID #82	4	.		OutDoor Sens SE20	PSID #161	3, 4, 5	A54.J1:14	18.1
Emergency Relay R21	PSID #44	3, 4, 5, 6	.		Pass Heat Sol SO13	PSID #24	3, 4, 6	A54.J1:8	18.2
Eng Cmpnt Bulb L173	PSID #106	3, 4, 5, 6	A52.J1:5	25.1	Pass Rfg Sol SO11	PSID #23	3, 4, 5, 6	A54.J1:3	18.2
Eng Cmpnt Sw	PSID #107	3, 4	A52.J1:11	25.1	Pass. Wtr pump MO12	PSID #17	4, 6	A54.J1:4	
Eng Ether SW23	PSID #50	3, 4	.		Rear CutOut Sw82	PSID #18	3, 4	.	
Eng Fan Dash SW22	PSID #55	3, 4	.		Rear Flsh LH L71 L75	PSID #131	3, 4, 6	A51.J1:21	
Eng Fan Spd1 Req	PSID #51	3, 4	A52.J1:9	13.1	Rear Flsh RH L73 L76	PSID #132	3, 4, 6	A51.J1:3	
Eng Fan Spd2 Req	PSID #52	3, 4	A52.J1:10	13.1	Rev lights L91 L92	SID #43	3, 4, 5, 6	A50.J1:20	26.3
Eng. Ether Sol SO1	PSID #49	3, 4, 6	A52.J1:6	13.1	RH Corner Light L98	PSID #121	3, 4, 5, 6	A48.J1:5	26.3
Engine Fan Spd1 MO2	PSID #53	3, 4, 5, 6	A52.J1:1	13.1	RH Docking Light L94	PSID #123	3, 4, 5, 6	A51.J1:5	26.3
Engine Fan Spd2 MO2	PSID #54	3, 4, 5, 6	A52.J1:2	13.1	RJB fan Mo53	SID #37	3, 4, 6	.	
Evap Motor Rly R12	PSID #77	3, 4, 5, 6	A54.J1:7	18.2	Rr Clearance lights	PSID #151	3, 4, 6	A50.J1:4	26.2
Evap Spd Ctrl MO9	PSID #78	4, 6	A54.J1:2	18.2	SldO 5v supply	SID #23	3, 4	A56.J1:15	20.1
Fire Sensor	PSID #79	3, 4	.		SldO Close Sw	SID #18	3, 4	A56.J1:10	20.1
Flash RH SW1	PSID #133	3, 4	A48.J1:12	26.1	SldO Limit In Se	SID #19	3, 4	A56.J1:11	20.1
Flasher LH Sw1	PSID #130	3, 4	.		SldO Limit Out Se	SID #20	3, 4	A56.J1:14	20.1
Flsh Audibl Rly R16	PSID #37	3, 4, 5, 6	.		SldO Mot Neg Rly	SID #15	3, 4, 5, 6	A56.J1:7	20.1
Fog's Lights LH L95	PSID #134	3, 4, 6	.		SldO Mot Pos Rly	SID #16	3, 4, 5, 6	A56.J1:20	20.1
Fog's lights RH L96	PSID #136	3, 4, 6	A48.J1:8	26.3	SldO Mot SpeedA Ctr	SID #9	3, 6	A56.J1:1	
FR Clearance lights	PSID #137	3, 4, 6	.		SldO Mot SpeedB Ctr	SID #10	3, 6	A56.J1:2	20.1
Fr Flsh-Mkr LH L62	PSID #128	3, 4, 6	.		SldO Open Sw	SID #17	3, 4	A56.J1:9	20.1
Fr Side Flsh RH L64	PSID #10	3, 4, 6	A48.J1:20	26.1	SldO Park Br Signal	SID #8	3, 4	A56.J1:12	20.1
Front Flash RH L61	PSID #126	3, 4, 6	A48.J1:6	26.1	SldO Remote Led	SID #11	3, 4, 5, 6	A56.J1:3	20.1
Front Mkr Lts LH L62	PSID #148	3, 4, 6	.		SldO Seal Def Sol	SID #13	3, 4, 5, 6	A56.J1:5	20.1

MULTIPLEX ERROR MESSAGES LIST

FMI 3 = Shorted High ; FMI 4 = Shorted Low ; FMI 5 = Open Circuit ; FMI 6 = Current above Normal

Cluster message	SID/PSID	FMI	Module.Pin#	Page	Cluster message	SID/PSID	FMI	Module.Pin#	Page
A/C Clutch SO9	PSID #4	3, 4, 5, 6	A52.J1:20	18,2	Flsh Audibl Rly R16	PSID #37	3, 4, 5, 6	A45.J1:8	26,1
A/C Pres HiSd SE23	PSID #28	3, 4	A52.J1:13	18,2	Fog's Lights LH L95	PSID #134	3, 4, 6	A45.J1:4	26,3
A/C Pres LoSd SE24	PSID #29	3, 4	A52.J1:14	18,2	Fog's lights RH L96	PSID #136	3, 4, 6	A48.J1:8	26,3
Backup Light & Alm	PSID #167	3, 4, 6	A50.J1:20	26,3	Foot trap Mo4	PSID #14	3, 4, 6	A45.J1:2	18,1
Blinker SW1	PSID #139	3, 4	A43.J1:20	26,1	FR Clearance lights	PSID #137	3, 4, 6	A44.J1:8	26,1
Brk Lts Sens SE19	PSID #119	3, 4	A36.JB:13	12,1	Fr Flsh-Mkr LH L62	PSID #128	3, 4, 6	A45.J1:3	26,1
Center Flash LH L70	PSID #124	3, 4, 6	A50.J1:5	26,2	Fr Side Flsh RH L64	PSID #10	3, 4, 6	A48.J1:20	26,1
Center Flash RH L68	PSID #125	3, 4, 6	A50.J1:7	26,2	Fr Start SW83	PSID #58	3, 4	A36.JB:22	3,2
Center Mkr L67-L70	PSID #27	3, 4, 6	A50.J1:8	26,2	Front Flash RH L61	PSID #126	3, 4, 6	A48.J1:6	26,1
Cond Rly spd1 R10	PSID #41	3, 4, 5, 6	A54.J1:5	18,2	FrontMkr Lts LH L62	PSID #148	3, 4, 6	A45.J1:21	26,1
Cond Rly spd2 R9	PSID #42	3, 4, 5, 6	A54.J1:1	18,2	FrontMkr Lts RH L61	PSID #149	3, 4, 6	A48.J1:7	26,1
Condensor Door Sw7	PSID #7	3, 4	A49.J1:3		FrStart Enable SW58	PSID #56	3, 4	A53.J1:9	3,2
Cornering Dash Sw30	PSID #200	3, 4	A55.J1:7	26,3	Hazard Switch Sw4	PSID #138	3, 4	A36.JB:4	26,1
Cyclope Lt L81	PSID #116	3, 4, 6	A51.J1:7	26,2	Hd Light Call SW1	PSID #140	3, 4	A43.J1:3	26,1
Defr water Pmp Mo50	SID #41	3, 4	A47.J1:20	18,1	HdLamp Wsh Pmp Mo54	SID #48	3, 4, 6	A46.J1:21	31,1
Diff Lock sol So35	SID #36	3, 4, 6	A52.J1:4	23,1	Head Lights Pos1SW2	PSID #143	3, 4	A43.J1:4	26,1
Docking Dash Sw31	PSID #3	3, 4	A55.J1:8	26,3	Head Lt Sw Pos2 Sw2	PSID #11	3, 4	A45.J1:12	26,1
Driver Def Fan L198	PSID #180	3, 4, 5, 6	A47.J1:1	18,1	Hi Low Beam Sw1	PSID #6	3, 4	A43.J1:8	26,1
Driver heat Sol SO8	PSID #16	3, 4, 5, 6	A46.J1:6	18,1	High Beam LH L60	PSID #141	3, 4, 5, 6	A45.J1:6	26,1
Driver Light L16	PSID #104	3, 4, 5, 6	A47.J1:6	19,1	High Beam RH L59	PSID #145	3, 4, 5, 6	A48.J1:3	26,1
Driver Light SW24	PSID #105	3, 4	A41.J1:2	19,1	LH Corner Lts L97	PSID #120	3, 4, 5, 6	A45.J1:5	26,3
Driver Rfg Sol SO7	PSID #13	3, 4, 5, 6	A46.J1:5	18,1	LH Docking LightL93	PSID #122	3, 4, 5, 6	A51.J1:4	26,3
Driver Sensor SE21	PSID #12	3, 4, 5	A55.J1:1	18,1	Low Beam LH L60	PSID #142	3, 4, 6	A45.J1:7	26,1
Drv air Trap MO3	PSID #5	3, 4, 6	A44.J1:2	18,1	Low Beam RH L59	PSID #146	3, 4, 6	A48.J1:4	26,1
Drv Rec Cylind L203	PSID #30	3, 4, 5, 6	A47.J1:2	18,1	Low Wip Spd1 Mo22	PSID #184	3, 4, 5, 6	A47.J1:3	31,1
Elec Horn L185 L186	PSID #83	3, 4, 5, 6	A45.J1:20	9,1	Lower Stop Lamps	PSID #153	3, 4, 6	A50.J1:6	26,2
Elec.Horn SW61 SW62	PSID #82		4 A41.J1:3	9,1	Lower Washer pmp	PSID #181	4, 6	A46.J1:3	31,1
Emergency Relay R21	PSID #44	3, 4, 5, 6	A36.JA:24	3,2	Lower Washer SW1	PSID #188	3, 4	A46.J1:9	31,1
Eng Brk Active Sig	PSID #45	3, 4	A42.J1:18		Lower Wip Int SW1	PSID #183	3, 4	A42.J1:8	31,1
Eng Cmpt Bulb L173	PSID #106	3, 4, 5, 6	A52.J1:5	25,1	Lugg doors lock R30	SID #44	3, 4, 5, 6	A36.JA:7	24,2
Eng Cmpt Sw	PSID #107	3, 4	A52.J1:11	25,1	Lugg doors unl R32	SID #45	3, 4, 5, 6	A36.JA:6	24,2
Eng Ether SW23	PSID #50	3, 4	A42.J1:5	13,1	OutDoor Sens SE20	PSID #161	3, 4, 5	A54.J1:14	18,1
Eng Fan Dash SW22	PSID #55	3, 4	A36.JB:14		Park brak Sens Se18	PSID #162	3, 4	A36.JB:9	12,1
Eng Fan Spd1 Req	PSID #51	3, 4	A52.J1:9	13,1	Pass def fan Mo25	SID #38	3, 4, 5, 6	A47.J1:7	18,1
Eng Fan Spd2 Req	PSID #52	3, 4	A52.J1:10	13,1	Pass Heat Sol SO13	PSID #24	3, 4, 6	A54.J1:8	18,2
Eng. Ether Sol SO1	PSID #49	3, 4, 6	A52.J1:6	13,1	Pass Rfg Sol SO11	PSID #23	3, 4, 5, 6	A54.J1:3	18,2
Engine Fan Spd1 MO2	PSID #53	3, 4, 5, 6	A52.J1:1	13,1	Pass. Wtr pump MO12	PSID #17	4, 6	A54.J1:4	18,2
Engine Fan Spd2 MO2	PSID #54	3, 4, 5, 6	A52.J1:2	13,1	Rear CutOut Sw82	PSID #18	3, 4	A36.JB:21	3,2
Evap Motor Rly R12	PSID #77	3, 4, 5, 6	A54.J1:7	18,2	RearFlsh LH L71 L75	PSID #131	3, 4, 6	A51.J1:21	26,2
Evap Spd Ctrl MO9	PSID #78	4, 6	A54.J1:2	18,2	RearFlsh RH L73 L76	PSID #132	3, 4, 6	A51.J1:3	26,2
Fire Sensor	PSID #79	3, 4	A41.J1:10	9,1	Retarder signal	PSID #164	3, 4	A50.J1:12	15,1
Flash RH SW1	PSID #133	3, 4	A48.J1:12	26,1	Rev lights L91 L92	SID #43	3, 4, 5, 6	A50.J1:3	26,3
Flasher LH Sw1	PSID #130	3, 4	A45.J1:9	26,1	RH Corner Light L98	PSID #121	3, 4, 5, 6	A48.J1:5	26,3

MULTIPLEX ERROR MESSAGES LIST

FMI 3 = Shorted High ; FMI 4 = Shorted Low ; FMI 5 = Open Circuit ; FMI 6 = Current above Normal

Cluster message	SID/PSID	FMI	Module.Pin#	Page					
RH Docking LightL94	PSID #123	3, 4, 5, 6	A51.J1:5	26,3					
RJB fan Mo53	SID #37	3, 4, 6	A46.J1:7	11,1					
Rr Clearance lights	PSID #151	3, 4, 6	A50.J1:4	26,2					
Rr Start SW59	PSID #59	3, 4	A53.J1:11	3,2					
RrStart Enable SW58	PSID #57	3, 4	A53.J1:10	3,2					
Ser Brake Trans A1	SID #49	3, 4, 6	A51.J1:1	15,1					
SldO 5v supply	SID #23	3, 4	A56.J1:15	20,1					
SldO Close Sw	SID #18	3, 4	A56.J1:10	20,1					
SldO Limit In Se	SID #19	3, 4	A56.J1:11	20,1					
SldO Limit Out Se	SID #20	3, 4	A56.J1:14	20,1					
SldO Mot Neg Rly	SID #15	3, 4, 5, 6	A56.J1:7	20,1					
SldO Mot Pos Rly	SID #16	3, 4, 5, 6	A56.J1:20	20,1					
SldO Mot SpeedA Ctr	SID #9	3, 6	A56.J1:1	20,1					
SldO Mot SpeedB Ctr	SID #10	3, 6	A56.J1:2	20,1					
SldO Open Sw	SID #17	3, 4	A56.J1:9	20,1					
SldO Park Br Signal	SID #8	3, 4	A56.J1:12	20,1					
SldO Remote Led	SID #11	3, 4, 5, 6	A56.J1:3	20,1					
SldO Seal Def Sol	SID #13	3, 4, 5, 6	A56.J1:5	20,1					
SldO Seal Inf Sol	SID #12	3, 4, 5, 6	A56.J1:4	20,1					
SldO Secu Pin Sol	SID #21	3, 4, 5, 6	A56.J1:21	20,1					
SldO Vacc Gen Sol	SID #14	3, 4, 5, 6	A56.J1:6	20,1					
SldO Vacuum Sensor	SID #5	3, 4	A56.J1:13	20,1					
Starter Relay SO2	PSID #60	4, 6	A53.J1:6	3,2					
Starter Relay SO2	PSID #60	3, 6	A53.J1:1	3,2					
Stop Eng Signal In	PSID #62	3	A42.J1:9						
SunVisor RlyR41-R45	SID #54	3, 4, 5, 6	A55.J1:13	32,1					
Tail Lights	PSID #152	3, 4, 6	A51.J1:8	26,2					
Trans Neutral Sens	PSID #168	3, 4	A50.J1:11	15,1					
Under Floor lights	PSID #112	4, 6	A46.J1:20	25,1					
Unloader LH L200	PSID #31	3, 4, 6	A52.J1:8	18,2					
Unloader RH L199	PSID #32	3, 4, 6	A52.J1:21	18,2					
Upper Brk Lamp	PSID #43	3, 4, 6	A51.J1:6	26,2					
Upper Def Fan MO5	PSID #33	4, 6	A46.J1:8	18,1					

MULTIPLEX ERROR MESSAGES LIST

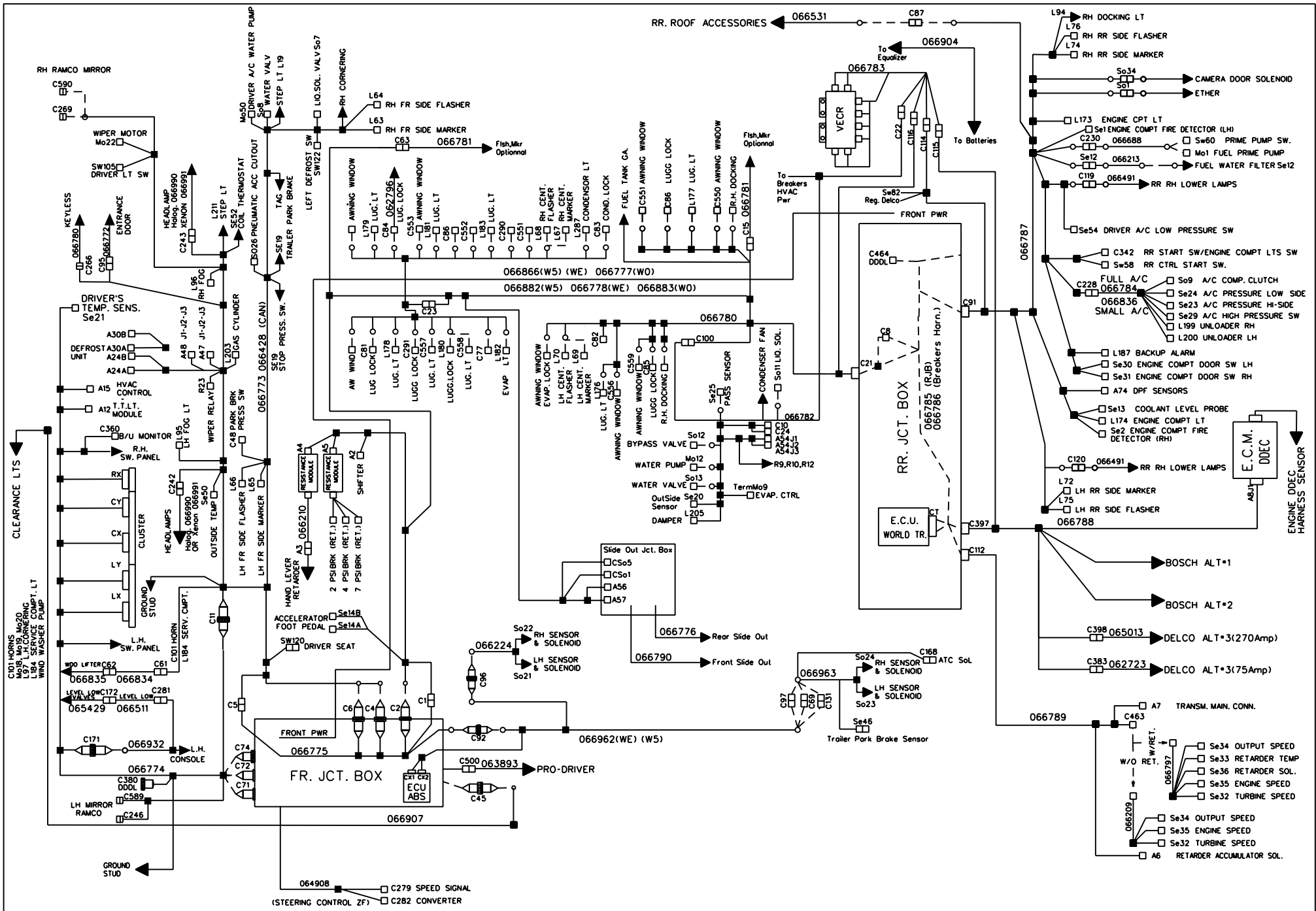
FMI 3 = Shorted High ; FMI 4 = Shorted Low ; FMI 5 = Open Circuit ; FMI 6 = Current above Normal

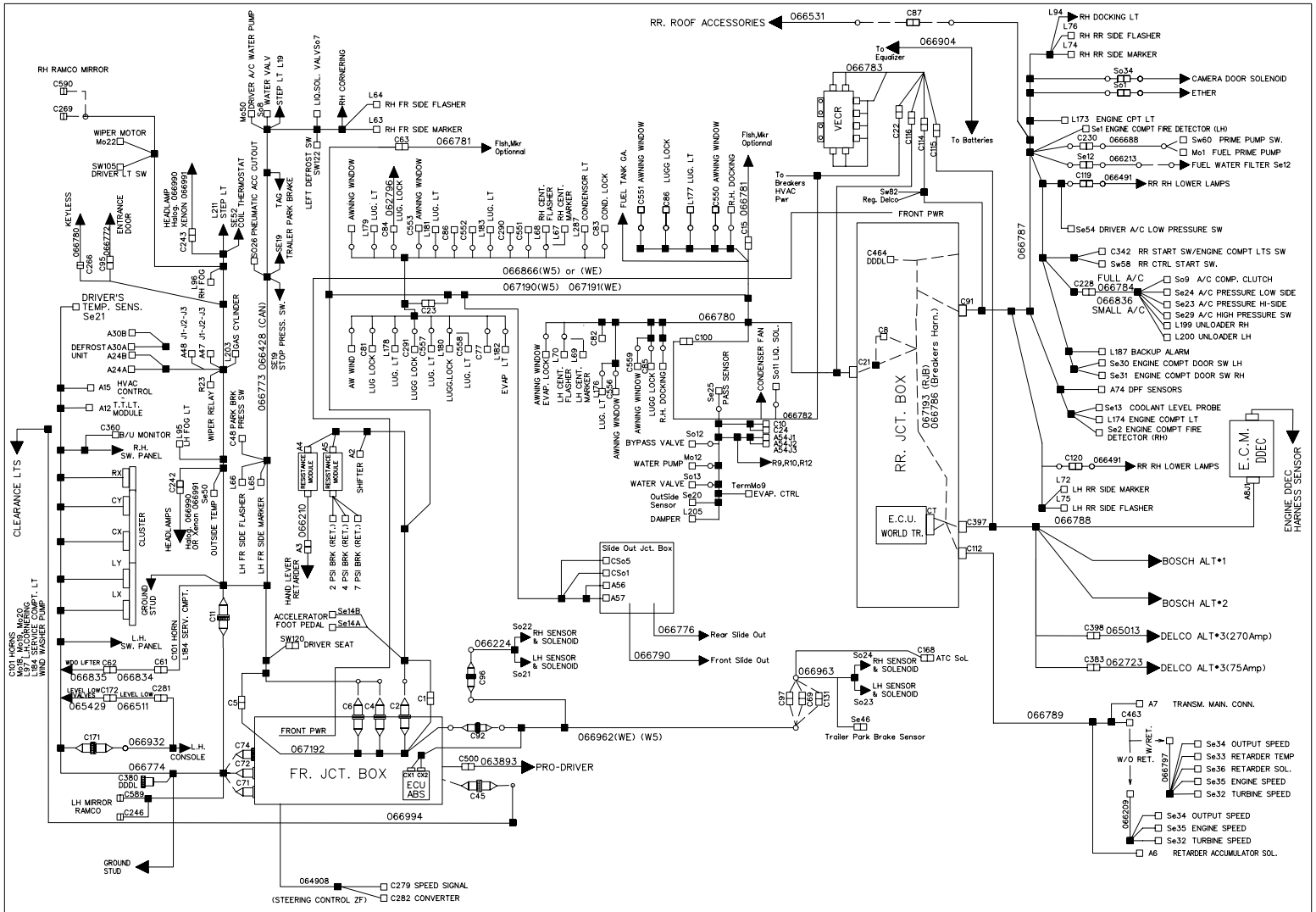
Cluster message	SID/PSID	FMI	Module.Pin#	Page	Cluster message	SID/PSID	FMI	Module.Pin#	Page
A/C Clutch SO9	PSID #4	3, 4, 5, 6	A52.J1:20	18.2	Flsh Audibl Rly R16	PSID #37	3, 4, 5, 6	A45.J1:8	26.1
A/C Pres HiSd SE23	PSID #28	3, 4	A52.J1:13	18.2	Fog's Lights LH L95	PSID #134	3, 4, 6	A45.J1:4	26.3
A/C Pres LoSd SE24	PSID #29	3, 4	A52.J1:14	18.2	Fog's lights RH L96	PSID #136	3, 4, 6	A48.J1:8	26.3
Backup Light & Alm	PSID #167	3, 4, 6	A50.J1:20	26.3	Foot trap Mo4	PSID #14	3, 4, 6	A45.J1:2	18.1
Blinker SW1	PSID #139	3, 4	A43.J1:20	26.1	FR Clearance lights	PSID #137	3, 4, 6	A44.J1:8	26.1
Brk Lts Sens SE19	PSID #119	3, 4	A36.JB:13	12.1	Fr Flsh-Mkr LH L62	PSID #128	3, 4, 6	A45.J1:3	26.1
Center Flash LH L70	PSID #124	3, 4, 6	A50.J1:5	26.2	Fr Side Flsh RH L64	PSID #10	3, 4, 6	A48.J1:20	26.1
Center Flash RH L68	PSID #125	3, 4, 6	A50.J1:7	26.2	Fr Start SW83	PSID #58	3, 4	A36.JB:22	3.2
Center Mkr L67-L70	PSID #27	3, 4, 6	A50.J1:8	26.2	Front Flash RH L61	PSID #126	3, 4, 6	A48.J1:6	26.1
Cond Pwr Rly_R10	PSID #41	3, 4, 5, 6	A54.J1:5	18.2	FrontMkr Lts LH L62	PSID #148	3, 4, 6	A45.J1:21	26.1
					FrontMkr Lts RH L61	PSID #149	3, 4, 6	A48.J1:7	26.1
Condensor Door Sw7	PSID #7	3, 4	A49.J1:3		FrStart Enable SW58	PSID #56	3, 4	A53.J1:9	3.2
Cornering Dash Sw30	PSID #200	3, 4	A55.J1:7	26.3	Hazard Switch Sw4	PSID #138	3, 4	A36.JB:4	26.1
Cyclope Lt L81	PSID #116	3, 4, 6	A51.J1:7	26.2	Hd Light Call SW1	PSID #140	3, 4	A43.J1:3	26.1
Defr water Pmp Mo50	SID #41	3, 4	A47.J1:20	18.1	HdLamp Wsh Pmp Mo54	SID #48	3, 4, 6	A46.J1:21	31.1
Diff Lock sol So35	SID #36	3, 4, 6	A52.J1:4	23.1	Head Lights Pos1SW2	PSID #143	3, 4	A43.J1:4	26.1
Docking Dash Sw31	PSID #3	3, 4	A55.J1:8	26.3	Head Lt Sw Pos2 Sw2	PSID #11	3, 4	A45.J1:12	26.1
Driver Def Fan L198	PSID #180	3, 4, 5, 6	A47.J1:1	18.1	Hi Low Beam Sw1	PSID #6	3, 4	A43.J1:8	26.1
Driver heat Sol SO8	PSID #16	3, 4, 5, 6	A46.J1:6	18.1	High Beam LH L60	PSID #141	3, 4, 5, 6	A45.J1:6	26.1
Driver Light L16	PSID #104	3, 4, 5, 6	A47.J1:6	19.1	High Beam RH L59	PSID #145	3, 4, 5, 6	A48.J1:3	26.1
Driver Light SW24	PSID #105	3, 4	A41.J1:2	19.1	LH Corner Lts L97	PSID #120	3, 4, 5, 6	A45.J1:5	26.3
Driver Rfg Sol SO7	PSID #13	3, 4, 5, 6	A46.J1:5	18.1	LH Docking LightL93	PSID #122	3, 4, 5, 6	A51.J1:4	26.3
Driver Sensor SE21	PSID #12	3, 4, 5	A55.J1:1	18.1	Low Beam LH L60	PSID #142	3, 4, 6	A45.J1:7	26.1
Drv air Trap MO3	PSID #5	3, 4, 6	A44.J1:2	18.1	Low Beam RH L59	PSID #146	3, 4, 6	A48.J1:4	26.1
Drv Rec Cylind L203	PSID #30	3, 4, 5, 6	A47.J1:2	18.1	Low Wip Spd1 Mo22	PSID #184	3, 4, 5, 6	A47.J1:3	31.1
Elec Horn L185 L186	PSID #83	3, 4, 5, 6	A45.J1:20	9.1	Lower Stop Lamps	PSID #153	3, 4, 6	A50.J1:6	26.2
Elec.Horn SW61 SW62	PSID #82		4 A41.J1:3	9.1	Lower Washer pmp	PSID #181	4, 6	A46.J1:3	31.1
Emergency Relay R21	PSID #44	3, 4, 5, 6	A36.JA:24	3.2	Lower Washer SW1	PSID #188	3, 4	A46.J1:9	31.1
Eng Brk Active Sig	PSID #45	3, 4	A42.J1:18		Lower Wip Int SW1	PSID #183	3, 4	A42.J1:8	31.1
Eng Cmpnt Bulb L173	PSID #106	3, 4, 5, 6	A52.J1:5	25.1	Lugg doors lock R30	SID #44	3, 4, 5, 6	A36.JA:7	24.2
Eng Cmpnt Sw	PSID #107	3, 4	A52.J1:11	25.1	Lugg doors unl R32	SID #45	3, 4, 5, 6	A36.JA:6	24.2
Eng Ether SW23	PSID #50	3, 4	A42.J1:5	13.1	OutDoor Sens SE20	PSID #161	3, 4, 5	A54.J1:14	18.1
Eng Fan Dash SW22	PSID #55	3, 4	A36.JB:14		Park brak Sens Se18	PSID #162	3, 4	A36.JB:9	12.1
Eng Fan Spd1 Req	PSID #51	3, 4	A52.J1:9	13.1	Pass def fan Mo25	SID #38	3, 4, 5, 6	A47.J1:7	18.1
Eng Fan Spd2 Req	PSID #52	3, 4	A52.J1:10	13.1	Pass Heat Sol SO13	PSID #24	3, 4, 6	A54.J1:8	18.2
Eng. Ether Sol SO1	PSID #49	3, 4, 6	A52.J1:6	13.1	Pass Rfg Sol SO11	PSID #23	3, 4, 5, 6	A54.J1:3	18.2
Engine Fan Spd1 MO2	PSID #53	3, 4, 5, 6	A52.J1:1	13.1	Pass. Wtr pump MO12	PSID #17	4, 6	A54.J1:4	18.2
Engine Fan Spd2 MO2	PSID #54	3, 4, 5, 6	A52.J1:2	13.1	Rear CutOut Sw82	PSID #18	3, 4	A36.JB:21	3.2
Evap Motor Rly R12	PSID #77	3, 4, 5, 6	A54.J1:7	18.2	RearFlsh LH L71 L75	PSID #131	3, 4, 6	A51.J1:21	26.2
Evap Spd Ctrl MO9	PSID #78	4, 6	A54.J1:2	18.2	RearFlsh RH L73 L76	PSID #132	3, 4, 6	A51.J1:3	26.2
Fire Sensor	PSID #79	3, 4	A41.J1:10	9.1	Retarder signal	PSID #164	3, 4	A50.J1:12	15.1
Flash RH SW1	PSID #133	3, 4	A48.J1:12	26.1	Rev lights L91 L92	SID #43	3, 4, 5, 6	A50.J1:3	26.3
Flasher LH Sw1	PSID #130	3, 4	A45.J1:9	26.1	RH Corner Light L98	PSID #121	3, 4, 5, 6	A48.J1:5	26.3

MULTIPLEX ERROR MESSAGES LIST

FMI 3 = Shorted High ; FMI 4 = Shorted Low ; FMI 5 = Open Circuit ; FMI 6 = Current above Normal

Cluster message	SID/PSID	FMI	Module.Pin#	Page				
RH Docking LightL94	PSID #123	3, 4, 5, 6	A51.J1:5	26.3				
RJB fan Mo53	SID #37	3, 4, 6	A46.J1:7	11.1				
Rr Clearance lights	PSID #151	3, 4, 6	A50.J1:4	26.2				
Rr Start SW59	PSID #59	3, 4	A53.J1:11	3.2				
RrStart Enable SW58	PSID #57	3, 4	A53.J1:10	3.2				
Ser Brake Trans A1	SID #49	3, 4, 6	A51.J1:1	15.1				
SldO 5v supply	SID #23	3, 4	A56.J1:15	20.1				
SldO Close Sw	SID #18	3, 4	A56.J1:10	20.1				
SldO Limit In Se	SID #19	3, 4	A56.J1:11	20.1				
SldO Limit Out Se	SID #20	3, 4	A56.J1:14	20.1				
SldO Mot Neg Rly	SID #15	3, 4, 5, 6	A56.J1:7	20.1				
SldO Mot Pos Rly	SID #16	3, 4, 5, 6	A56.J1:20	20.1				
SldO Mot SpeedA Ctr	SID #9	3, 6	A56.J1:1	20.1				
SldO Mot SpeedB Ctr	SID #10	3, 6	A56.J1:2	20.1				
SldO Open Sw	SID #17	3, 4	A56.J1:9	20.1				
SldO Park Br Signal	SID #8	3, 4	A56.J1:12	20.1				
SldO Remote Led	SID #11	3, 4, 5, 6	A56.J1:3	20.1				
SldO Seal Def Sol	SID #13	3, 4, 5, 6	A56.J1:5	20.1				
SldO Seal Inf Sol	SID #12	3, 4, 5, 6	A56.J1:4	20.1				
SldO Secu Pin Sol	SID #21	3, 4, 5, 6	A56.J1:21	20.1				
SldO Vacc Gen Sol	SID #14	3, 4, 5, 6	A56.J1:6	20.1				
SldO Vacuum Sensor	SID #5	3, 4	A56.J1:13	20.1				
Starter Relay SQ2	PSID #60	4, 6	A53.J1:6	3.2				
Starter Relay SQ2	PSID #60	3, 6	A53.J1:1	3.2				
Stop Eng Signal In	PSID #62	3	A42.J1:9					
SunVisor RlyR41-R45	SID #54	3, 4, 5, 6	A55.J1:13	32.1				
Tail Lights	PSID #152	3, 4, 6	A51.J1:8	26.2				
Trans Neutral Sens	PSID #168	3, 4	A50.J1:11	15.1				
Under Floor lights	PSID #112	4, 6	A46.J1:20	25.1				
Unloader LH L200	PSID #31	3, 4, 6	A52.J1:8	18.2				
Unloader RH L199	PSID #32	3, 4, 6	A52.J1:21	18.2				
Upper Brk Lamp	PSID #43	3, 4, 6	A51.J1:6	26.2				
Upper Def Fan MO5	PSID #33	4, 6	A46.J1:8	18.1				





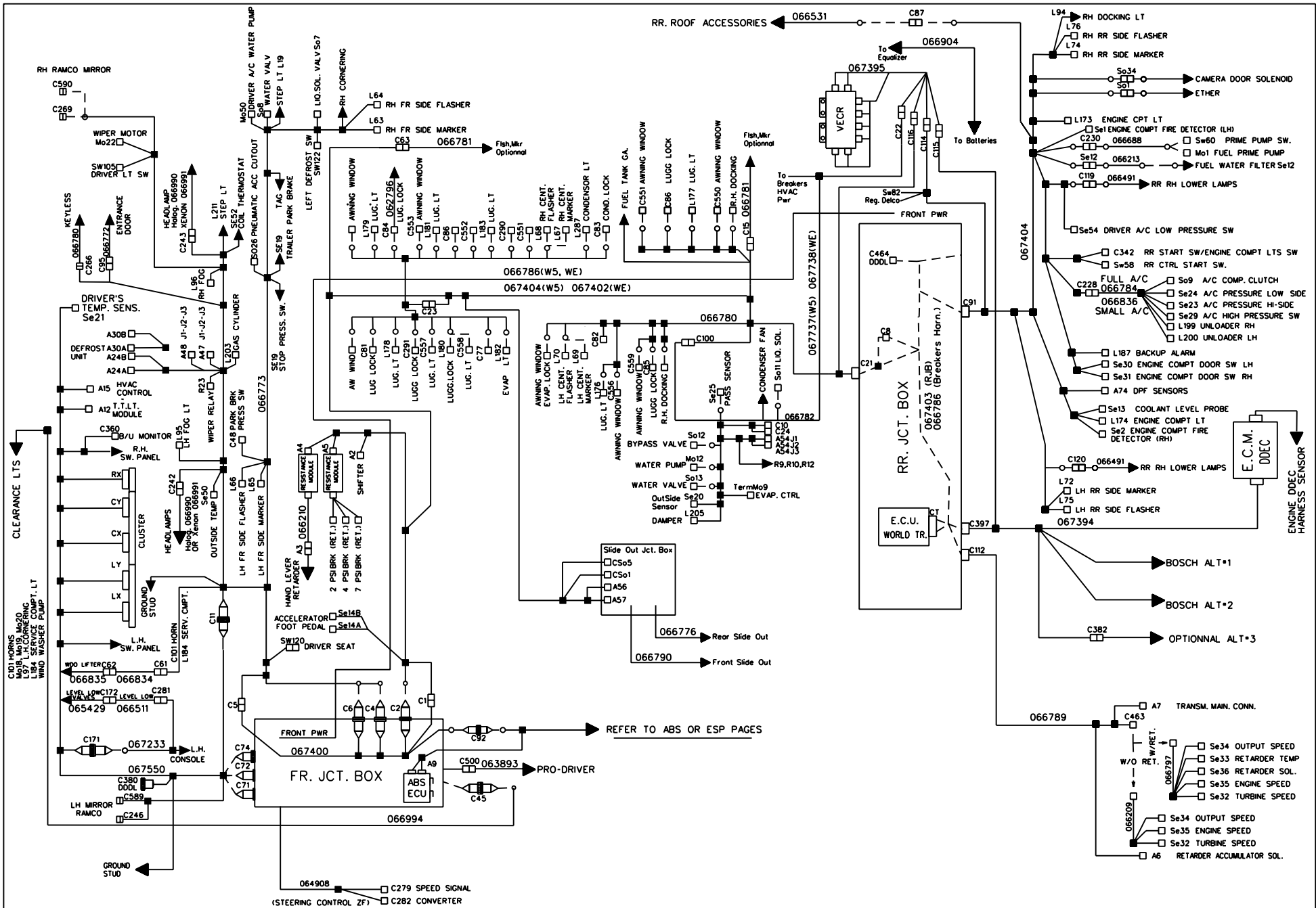
PREVOST

WIRING DIAGRAM VIP MUX

NO: D061080

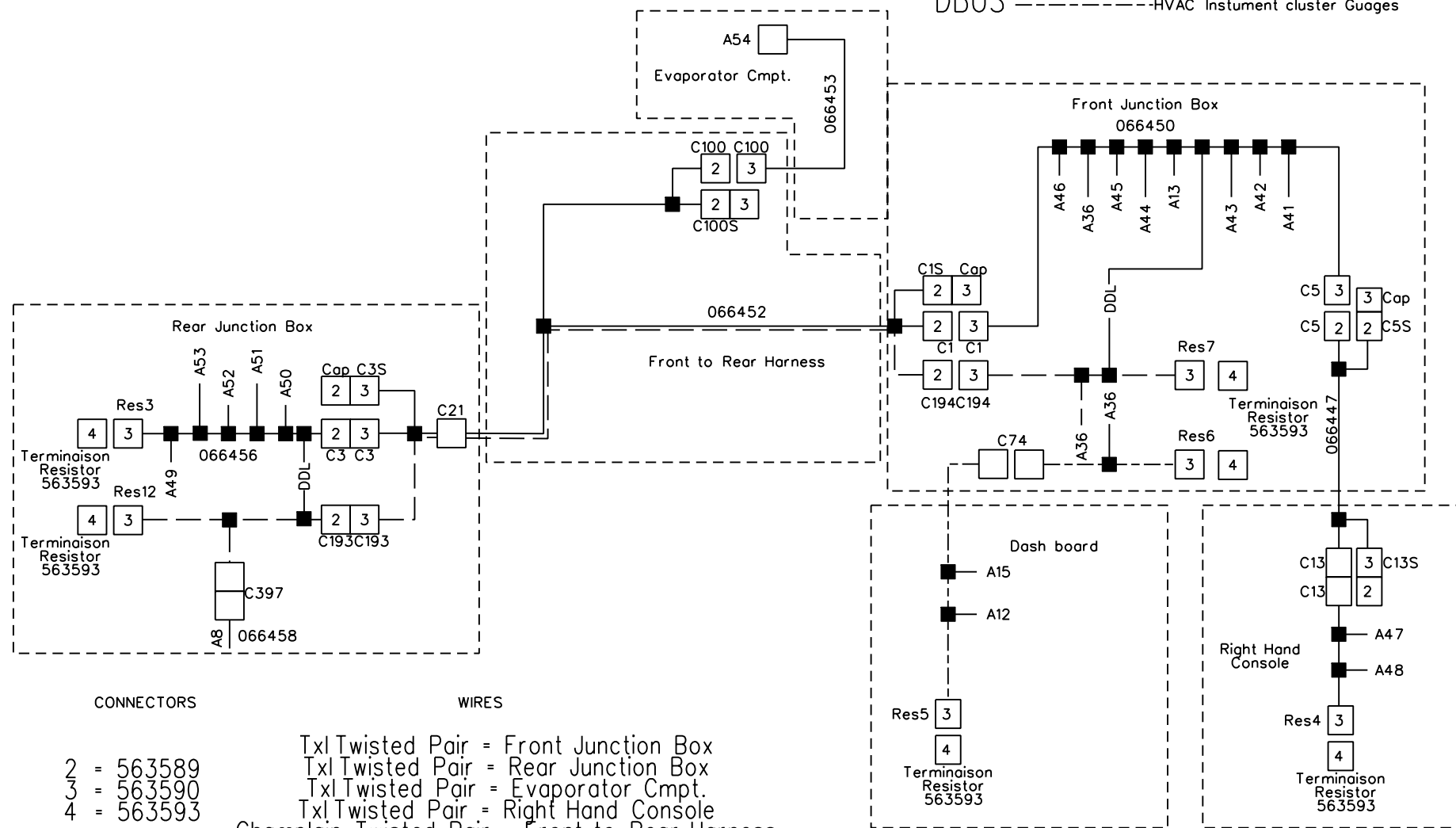
PAGE: C1

REVISION 05



CAN NETWORKS LAYOUT CAN

I/O Modules
 J1939 - Engine Transmission
 DBUS - HVAC Instrument cluster Guages



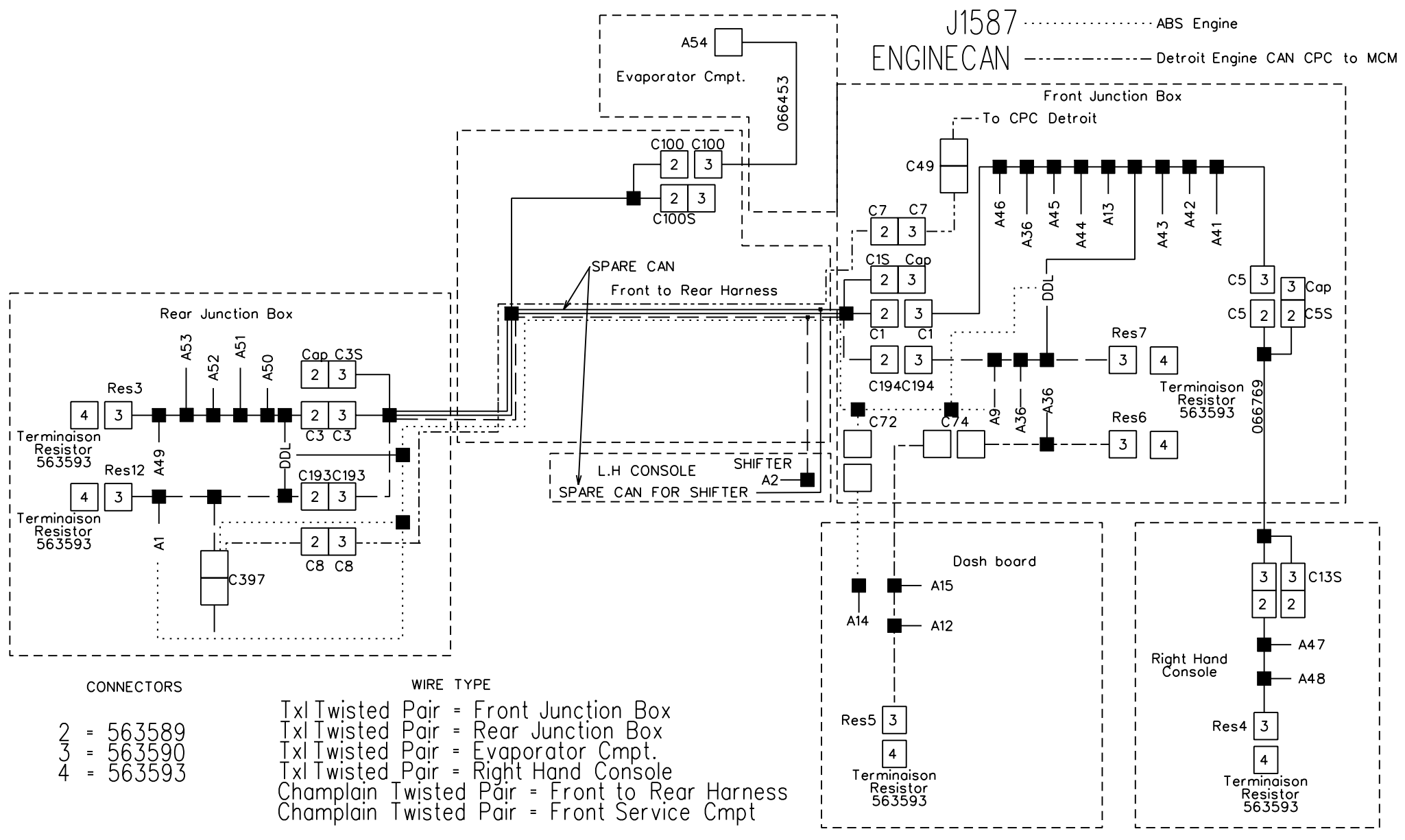
CONNECTORS

WIRES

- 2 = 563589 Tx1 Twisted Pair = Front Junction Box
- 3 = 563590 Tx1 Twisted Pair = Rear Junction Box
- 4 = 563593 Tx1 Twisted Pair = Evaporator Cmp.
- Champlain Twisted Pair = Front Hand Console
- Champlain Twisted Pair = Front to Rear Harness
- Champlain Twisted Pair = Front Service Cmp

NETWORKS LAYOUT

- CAN ————— I/O Modules
- J1939 - - - - - Engine Transmission
- DBUS - - - - - HVAC Instrument cluster Guages
- J1587 ABS Engine
- ENGINE CAN - - - - - Detroit Engine CAN CPC to MCM



CONNECTORS

- 2 = 563589
- 3 = 563590
- 4 = 563593

WIRE TYPE

- Txl Twisted Pair = Front Junction Box
- Txl Twisted Pair = Rear Junction Box
- Txl Twisted Pair = Evaporator Cmpmt.
- Txl Twisted Pair = Right Hand Console
- Champlain Twisted Pair = Front to Rear Harness
- Champlain Twisted Pair = Front Service Cmpmt

CIRCUITS LIST

CircuitID	Description	CircuitID	Description	CircuitID	Description
0	GndLevelLow	10	LuggageCmpt.LtsPwr	23A	FrontFlasherRH
2B	CondSndSpdSig	10A	LuggageCmpt.LtsPwr	23AA	FrontFlasherRHSide
7	GndDriverSensor	12	RearSlideOutRetractingSignal	23B	CorneringLtsRH
9	EngCmpt.LtsSwitch	12B	12VDTOCB2	23BR	GndFogandCorneringLtsRH
9B	EngineCmpt.Lt	12C	12Direct	23C	UpperRearLights
9BRtn	GndEngineCmpt.Lts	12K	KeyLessIgn	24	MasterRelayPwr
0A	Evap.Gnd	12VB		24AW	AwiningWindowsPower
00A	GndElectronic	12VD1	12VDFrontWake-up	24CO	PwrtoExcitationResistor
0AA	Regulatorgnd	12VD2	12Direct	24D	24Direct
0B	GndEngineCmpt	12VD3	12vRearwake-up	24F	24Ignition
00B	ElectronicGndofMuxModules	12VD4	12vDDDR	24V1	ServiceBrake
0BR3	GndRearLighting	12VDCust	12VDCustomer	24VB	
0C	GndStarter062214	12VDF	12VDtoFrontVec	24VD	24VD
0CE	GND48A47	12VDF3	ProDriverBatteryPower	24VD1	24VDtoFront
0DG	GndAlternator	12VI	12VltoCB10	24VD2	24VDtoRearVec
0EV1	GndCondensor	12VI1	12VlOfA44	24VD3	24VDofCECM
0EV2	GndHvac	12VI2	MirrorPwr	24VD4	24VDFrontWake-up
0F	FJBDdoorOpenSig	12VI3	PwrOutletDrawer	24VD5	24VD
0FA1	GndofEntranceWdo	12VI4	PwrOutletandCigarLighter	24VD7	PassandPRackPwr
0FB1	GndMirrors	12VI5	12VltoVECR	24VDCust	24VDCustomer
0FB2	GndDriverWdo	12VI6	PwrtoModuleA50	24VI	24VI
0FC1	Driverseat	12VI7	TrailerABSPower	24VI1	24VltoRearVec
0FC4	ElectricalHorn	12VI10	12Vlspare	24VI2	Multifunctionswitchpower
0FD1	GNDMuxpower	12VI11	12Vlspare	24VI4	SunVisorsPwr
0G	GndofA54	12VICust	12VICustomer	24VI5	24VlOfMuxmodules
0L	KeylessModuleKeypadGnd	12VIF	12VltoFrontVec	24VI6	PwrtoDefrostUnit
0PR2	GndFrontClearanceLts	12VIZF	ZFsterringControl	24VI7	WiperPower
0R	GndPrimePump	12WUp1	12VWUptoA48	24VI8	24VltoMux
0RA2	SignalGndR1	12Wup1	12WUpFront	24VI9	24VlOfA54
0RB3	Gnd	12Wup2	12WUptoDash	24VI9A	24VlOfA54
0RB4	Luggageslockunlockrelay	12Wup3	24WupLuggageslock	24VI9B	24VlOfA54
0RB5	Luggageslockunlockrelay	12WUp5	PwrtoModuleA51	24VI10	24VI
0RB6	GndCustomer	13	GndTransducer	24VI13	24Vlspare
0RB7	GndAwningWindow	16	SpeedSignal	24VI14	24Vlspare
0RB8	GndTrailerConnector	18	Wip.WasherLevel	24VIA	Cut-outPneumaticAcc
0RC1		21	FlasherLHSig	24VICust	24VICustomer
0RC2	GndDriverCylinder	21A	FrontFlasher	24VIF	24VltoFrontVEC
0RC3	Gnd	21AA	FlashersRearLH	24WUp1	24VWUptoA47
0RC4	Gnd	21B	CorneringLtsLH	24Wup1	24WUpFront
0SA1	GndAlternator	21BR	GndFoglights	25	EngineRunSignal
0SA2	GndAlternator	21C	UpperRearLights	25A1	ExcitationSignal
0VA		22	HazardSwSig	25A2	Alternator2Signal
0Y	GndChassistoABSModule	23	FlasherRHSig	25L	ExcitationSignal

CIRCUITS LIST

CircuitID	Description	CircuitID	Description	CircuitID	Description
26	DriverWdoPwr	53E	LowerWiper1stSpd	76P	PrimePumpSig
26A	DriverWdo	53F	LowerWasherPump	77	TransducerHi-Side
26B	DriverWdo	53H	LowerWiper	77B	PassandPRackLiquidValve
26C	DriverWdo	53K	KeyLessSig	77BA	A/CClutch
26D	EntranceWdo	54	TestSwitch	77BB	A/CClutchsmalla/c
26E	EntranceWdo	56	Sw103	77C	PassandPRackLiquidValve
27	PowerEntranceDoorWdo	57A		77K	CoilThermostatSignal
28	AudibleRlySig	57L	Hi-Beam	78	StopLightSensorSig
31	UnloaderRH	57R	HighBeamRH	79	DecelSignal
31B	WiperPower	57Rtn	SignalRtnHeadLtsLH	80	StopLightSensorSig
32	FrontSlideOutExtending	58L	LowBeam	81	HeadLtCallSw1
32A	BackupLtandalarm	58R	LowBeamRH	82A	CyclopeLamp
32D	BackupLtandalarm	58Rtn	HeadLampRHRtn	82Low	StopRearLowerLamp
33	UnloaderLH	59	Hi/LowBeamSignal	82Up	StopRearUpperLamps
35	EntranceDoorLights	60	FogsLtsSwSig	83	24vAccessories
35A	EntranceLight	61	HeadLtsSig	84B	StartSigSw83
35RTN	GndEntrancedoorLt	63	ClearanceLts	85	24VIgnition
39	DriverLtSwSig	63A	FrontClearanceLts	85A	Ign-AccSignal
39AA	GndElectronic	63AA	ClearanceLts	85B	Wake-upSig
39B	KeyLessSig	63BB	ClearanceLts	85C	PositionNormalSw58
39D	DriverLt	64A	Blinker	85D	RearStartPwr
39Rtn	GndDriverLt	65	FootDamper	85E	RearStartSignal
40	WitnessGnd	65A	FootDamper	85F	EgnineStartPwrSw58
41	24VCondensor	65D	DriverCylinder	85G	Ign-AccSignal
41A	CondensorPwr	65P	Pass.Cylinder	85Y	ABSTTLT
42A	12VCondensor	66	MarkersSigSw2	85Z	AbsTrailerWarningSignal
45	UpperdefrosterSwSig	67	EvaporatorPwr	86	DefrostunitSpd
45A	PassengerHeatSig	67A	Condensor1stSpdSig	86A	PassengerDefrosterControl
46	FrontFlasherRh	68	DashDamper	86ARtn	GndReturn
46A	FrontMarkers	68A	DashDamper	86Rtn	GndReturn
47	DoorOpenSignal	69	ElectricalHorn	87	TrailerParkBrakeSig
47A	DoorOpenSignal	69A	PneumaticHorn	88	CompressorPressureSignal
48A	DoorUpperPen	71A	DockingLtsLH	89	DriverSensorSig
48B	DoorUpperPenSig	72A	DockingLtsRH	90F	Regulatorbatt
48C	DoorUpperPenSig	72B	SunVisorRHSig	90H	24VtoEvap
49A	DoorInsideSwCloseSig	72C	SunVisorSignal	90H1	Evaporator
50	WitnessGndSig	72D	SunVisorRHSig	91	ParkBrakeSig
52	Sw102	72E	SunVisorRHSig	91B	WitnessSigSw14
53	LowerWip.Spd1Sig	72F	SunVisorSignal	92	TrailerParkBrakeSig
53A	ElectricalHorn	72R	GndRJB	93	PassengerDefrostSwitchUp
53B	Wiper	74D	SunVisorSignal	94	PassengerDefrostSwitchDown
53C	LowerWip.IntSig	76	FuelLevelSig	95	DockingLTSwSig
53D	LowerWip.WasherSwSig	76C	FuelLowLevelSig	96	CornerinLTSwSig

CIRCUITS LIST

CircuitID	Description	CircuitID	Description	CircuitID	Description
97	LowDockingLightsSwitchSignal	132F	LevelLowPower	157B	ABSActive
98	BackupCancelSwitch	133	Transmission	157D	ATCTTLT
00A1	GndElectronic	135	Transmission	159	Transmission
00B1	GndEng.Start	135A	Transmission	160	TagSignal
0V1	LuggageDoorOpenSig	136	Transmission	163	Transmission
0V2	LuggageDoorOpenSig	136A	TransmissionPwr	164	HandLevelSig
0V3	LuggageDoorOpenSig	136AA	ShifterSignal	166	WitnessSigSw16
0V4	EvaporatorLightSwitch	137	ServiceBrakeSig	170A	LuggagesLocks
0V4A	CondensorLightSwitch	137A	MirrorPwrSig	170B	LuggagesLocks
0V5	LuggageDoorOpenSig	137B	Mirrors	170D	Luggageslockrelay
0Y2	GndChassisABSSol	137C	Mirrors	170E	Luggagesdoorslockrelays
0Y3	GndChassisABSSol	137D	Mirrors	170F	LuggagesLocks
101	PwrtoStarter	137E	Mirrors	170G	LuggagesLocks
102	Cablealt065701	137F	Mirrors	170K	LuggagesLocksSwitch
102A	Alternator	137H	Mirrors	170KK	ElectronicGnd
104	LevelLowSo28	137J	Mirrors	170L	LuggagesLocksSwitch
105	FogLtsLH	137K	Mirrors	170M	LuggagesLocksSwitch
106	FogLtRH	137L	Mirrors	170N	LuggagesLocksSwitch
107	Regulatorfield	137M	Mirrors	170P	LuggagesLocksSwitch
111	Transmission	138	Transmission	170Q	LuggagesLocksSwitch
114	BacklightPwr	138A	ABSSensor	170R	LuggagesLocksSwitch
114A	Backlight	139	Transmission	170S	LuggagesLocksSwitch
114AA	ClusterKeyPadBacklight	140	Transmission	170SS	LuggagesLocksSwitch
115	CoolantLevelSignal	141	Transmission	170T	LuggagesLocksSwitch
115A	WitnessLampPwr	142	ABSSolenoid	170V	LuggagesLocksSwitch
115W	Transmission	143	ABSSensor	170W	Luggageslockrelay
116	DriverLiq	143A	ABSSensor	170X	LuggagesLocksSwitch
116A	DriverLiq	144	ABSSensor	170Y	LuggagesLocks
119	Transmission	144A	ABSSensor	170Z	LuggagesLocks
120	Transmission	145	ABSSolenoid	171	LuggageUnlockSwSig
123	FireAlarm	146	ABSSolenoid	174	Transmission
123A	WakeUpSignal	146A	TransmissionIgn	175	Transmission
124A	Transmission	147	EtherSignal	176	Transmission
125	RetarderSig	147A	Ether	177	Transmission
126F	LevelLowSignal	148	Transmission	180	Transmission
127	Transmission	149	Transmission	181	OutsideSensorSig
131	Transmission	149A	ABSSensor	181C	OutsideTemperatureSensor
132	DifferentialLockSignal	150	Transmission	181D	Outsidetempssensor
132A	LevelLowSo29	151	GndtoEcm	197	FuelFilterSig
132B	LevelLowSo30	152	Transmission	201	HeadLampSignal
132C	LevelLowSo31	154	Transmission	202	HeadLampWash.Pump
132D	LevelLowSo32	155	Transmission	231	NeutralSignal
132E	LevelLowPower	156A	12VtoABS	231A	StarterRelav

CIRCUITS LIST

CircuitID	Description	CircuitID	Description	CircuitID	Description
231B	StarterRelay	545	CruiseResumeSig	DbusH	DBusSignal
240	PowertoEcm	555	FanClutchSignal	DBusL	DBusSignal
241	PowertoEcm	556	SpeedSignal	DbusL	DBusSignal
260	WindowAjarSignal	563	FanClutchSignal	E	Trans.HandLever
272	KeylessModuleInput	564	StarterLockout	F	Trans.HandLever
274	KeylessModuleInput	564B	OutZFDecelSig	G	Trans.HandLever
276	KeylessModuleInput	565	Eng.BrakeActive	gnd0	ServiceBrake
277	KeylessModuleKeypadLt	583	EngineBrakeHiSig	GndA	ComputerSignals
278	KeylessModuleInput	900	J1587	GREEN	TrailerFlasherRH
280	KeylessModuleInput	901	J1587	H	Trans.HandLever
283	EntranceDoorHingeSignal	905	TCISensorSig	IPJ1	Cluster
283A	UnlockSig	911	EmergencyCutoutRlySignal	IPJ2	Cluster
283C	EntranceDoorHingeSignal	916	5VSensorPwr	IPJ5	Cluster
284A	LuggagesUnlockRelays	952	GndSensorRtn	IPJ6	Cluster
284B	KeyLessSig	953	GndEcm	IPJ7	Cluster
285	LuggagesLockRelays	979	EngineBrakeLowSig	IPJ8	Cluster
285B	KeyLessSig	A	Trans.HandLever	J1939H	J1939
286	EntranceDoorLock	B	Trans.HandLever	J1939L	J1939
286A	EntranceDoorLock	BLACK	TrailerBackupLights	LX5	ClusterKeyPad
286B	FrontDoorLock	BLUE	TrailerconnectorABSPower	LX6	ClusterKeyPad
287	KeyLessSig	Bref1	PassengerSensor	LX7	ClusterKeyPad
290	GndFanClutch	BROWN	TrailerMarkerlights	LX16	ClusterKeyPad
291	FanClutch	C	Trans.HandLever	LX21	ClusterKeyPad
292	FanClutch	CanH	CanHSignal	N1	A41Address
293	FanClutchSwSig	CanH1	Sparefrttorr	N2	A41Address
294	KeyLessSig	CanL	CanLSignal	N3	A42Address
295	KeylessModuleOutput	CanL1	Sparefrttorr	N4	A42Address
296	RJBDoorFan	CC1	Converterinput1	N5	A43Address
296A	RJBTempSensor	CC2	ConverterInput2	N6	A43Address
296B	RJBTempSensor	CC3	ConverterInput3	N7	A44Address
417	ThrottlePositionSignal	CC4	ConverterInput4	N8	A44Address
419	CheckEng.TTLT	CC5	Converterinput5	N9	A45Address
439	IgnitiontoEcm	CC12	Converteroutput1	N10	A45Address
509	StopEng.TTLT	CC13	ConverterOutput3	N11	A46Address
510	FastIdleSignal	CC14	ConverterOutput2	N12	A46Address
510A	FastIdleSignal	CC15	Converteroutput4	N13	A47Address
524	EngBraketoEcm	CC16	Converteroutput5	N14	A47Address
524B	IdleValidationSig	CC17	ConverterOutput6	N15	A48Address
528	OverrideSignal	Cd	ComputerSignals	N16	A48Address
541	CruiseSetSig	Cd1	ComputerSignals	N17	A49Address
542	ParkBrakeSig	Cts	ComputerSignals	N18	A49Address
544	CruiseEnableSig	D	Trans.HandLever	N19	A50Address
544A	Sw35	DBusH	DBusSignal	N20	A50Address

CIRCUITS LIST

CircuitID	Description	CircuitID	Description	CircuitID	Description
N21	A51Adress	So38	PowerSldOut2Sensor	spare37	SparesFrontHarness
N22	A51Adress	So39	SldOut2StatusLed	spare38	SparesFrontHarness
N23	A52Adress	So40	SldOut2RelaySig	spare39	SparesDash
N24	A52Adress	So41	SldOut2RelaySig	spare40	SparesDash
N25	A53Adress	So42	SldOut2SealDeflatSig	spare41	SparesDash
N26	A53Adress	So46	SldOutMotor2sig	spare42	SparesDash
N27	A54Adress	So47	SldOutMotor2sig	spare43	SparesDash
N28	A54Adress	So48	SldOut2MotorSig	spare44	SparesDash
N29	A36Adress	So55	SecurityPinSol	spare45	SparesFr-to-RearHarness
N30	A56Adress	So58	SldOutMotor1Sig	spare46	SparesFr-to-RearHarness
N31	A56Adress	So59	SldOutMotor2sig	spare49	SparesEngineCradle
N32	A57Adress	So61	SldOut2SealInflat	spare50	SparesEngineCradle
N33	A57Adress	SP	ConverterVehicleSpeed	spare51	SparesEngineCradle
RED	TrailerStopLights	spare2	SparesFr-to-RearHarness	spare52	SparesEngineCradle
Ref1	GndPassengerSensor	spare3	SparesFr-to-RearHarness	spare53	SparesEngineCradle
Rts	ComputerSignals	spare4	SparesEvap.Harness	spare54	SparesEngineCradle
RxD	ComputerSignals	spare5	SparesEvap.Harness	spare55	SparesEnginesAccessories
shield	shieldtransmission	spare6	SparesEvap.Harness	spare57	SparesEnginesAccessories
So1	Gnd	spare7	SparesEvap.Harness	spare58	SparesEnginesAccessories
So2	SldOutRemoteSig	spare8	SparesEvap.Harness	spare59	SparesEnginesAccessories
So3	SldOutInSig	spare9	SparesEvap.Harness	spare60	SparesEnginesAccessories
So4	SignalOut	spare17	SparesFr-to-RearHarness	spare61	SparesEnginesAccessories
So6	Proximitysignal	spare18	SparesFr-to-RearHarness	spare62	spareABSHarness
So7	Proximitysignal	spare19	SparesFr-to-RearHarness	spare63	spareABSHarness
SO8	PowerSldOut1Sensor	spare20	SparesClearanceLts	spare94	SparesRearClearanceHarness
So8	PowerSldOut1Sensor	spare21	SparesClearanceLts	spare95	SparesRearClearanceHarness
So9	SldOut1StatusLed	spare22	SparesClearanceLts	spare96	spare
So10	SldOut1RelaySig	spare23	SparesClearanceLts	spare97	spare
So11	SldOut2RelaySig	spare24	SparesClearanceLts	spare98	spare
So12	SealInflating	spare24VI2	spare24	spr24V11	spare24
So13	SldOut1SealDeflatSig	spare24VI3	spare	TxD	ComputerSignals
So14	SldOut1VacumGen	spare25	SparesClearanceLts	WHITE	TrailerConnectorGnd
So16	SensorGndRtn	spare26	SparesFrontHarness	YELLOW	TrailerFlasherLH
So18	GndSlideOut	spare27	SparesFrontHarness		
So19	SldOutMotor1Sig	spare28	SparesFrontHarness		
So20	SldOutMotor1Sig	spare29	SparesFrontHarness		
So21	SldOut1MotorSig	spare30	SparesFrontHarness		
So26	SlideOut	spare31	SparesFrontHarness		
So31	GndSlideOut	spare32	SparesFrontHarness		
So32	SldOut1SignalOut	spare33	SparesFrontHarness		
So33	SldOut2SignalIn	spare34	SparesFrontHarness		
So36	Proximitysignal	spare35	SparesFrontHarness		
So37	Proximitysignal	spare36	SparesFrontHarness		

CIRCUITS LIST

CircuitID	Description	CircuitID	Description	CircuitID	Description
0	GndLevelLow	0RC4	Gnd	18	Wip.WasherLevel
2B	CondSndSpdSig	0SA1	GndAlternator	21	FlasherLHSig
5A	UpperHeaterPwr	0SA2	GndAlternator	21A	FrontFlasher
5B	UpperHeaterPwr	0VA		21AA	FlashersRearLH
5C	UpperHeaterPwr	0Y		21B	CorneringLtsLH
7	GndDriverSensor	10	LuggageCmpt.LtsPwr	21BR	GndFoglights
9	EngCmpt.LtsSwitch	10A	LuggageCmpt.LtsPwr	21C	UpperRearLights
9B	EngineCmpt.Lt	12	RearSlideOutRetractingSignal	22	HazardSwSig
9BRtn	GndEngineCmpt.Lts	12B	12VDTOCB2	23	FlasherRHSig
0A	Evap.Gnd	12C	12Direct	23A	FrontFlasherRH
00A	GndElectronic	12CPC	R22_DDEC	23AA	FrontFlasherRHSide
0B	GndEngineCompt	12Ecu	12v_Engine_Ecu	23B	CorneringLtsRH
00B	ElectronicGndofMuxModules	12K	KeyLessIgn	23BR	GndFogandCorneringLtsRH
0BR3	GndRearLighting	12VB		23C	UpperRearLights
0C	GndStarter062214	12VD1	12VDFrontWake-up	24	MasterRelayPwr
0CE	GND448A47	12VD2	12Direct	24AW	AwiningWindowsPower
0DG	GndAlternator	12VD3	12vRearwake-up	24CO	PwrtoExcitationResistor
0EV1	GndCondensor	12VD4	12VDWitnessPwrSw4	24D	24Direct
0EV2	GndHvac	12VDCust	12VDCustomer	24F	24Ignition
0F	FJBDoorOpenSig	12VDF	12VDtoFrontVec	24VB	
0FA1	GndofEntranceWdo	12VDF3	ProDriverBatteryPower	24VB1	24VEnginePreheater
0FB1	GndMirrors	12VI	12VltoCB10	24VB2	24VEnginePreheater
0FB2	GndDriverWdo	12VI1	12VltofA44	24VD	24VD
0FB3		12VI2	MirrorPwr	24VD1	24VDtoFront
0FC1	Driverseat	12VI3	PwrOutletDrawer	24VD2	24VDtoRearVec
0FC4	ElectricalHorn	12VI4	PwrOutletandCigarLighter	24VD3	24VDofCECM
0FD1	GNDMuxpower	12VI5	12VltoVECR	24VD4	24VDFrontWake-up
0G	GndofA54	12VI6	PwrtoModuleA50	24VD5	24VD
0H	GroundCoolantSensor	12VI7	TrailerABSPower	24VD7	PassandPRackPwr
0L	KeylessModuleKeypadGnd	12VI9		24VDCust	24VDCustomer
0PR2	GndFrontClearanceLts	12VI10	12Vlspare	24VI	24VI
0PR3	UpperDefrosterGnd	12VI11	12Vlspare	24VI1	24VltoRearVec
0R	GndPrimePump	12VICust	12VICustomer	24VI2	Multifunctionswitchpower
0RA2	SignalGndR1	12VIF	12VltoFrontVec	24VI3	24Vlgn
0RB3	Gnd	12VIF19	12VI_DDDL	24VI4	SunVisorsPwr
0RB4	Luggageslockunlockrelay	12VIZF	ZFsterringControl	24VI5	24VltofMuxmodules
0RB5	Luggageslockunlockrelay	12WUp1	12VWUptoA48	24VI6	PwrtoDefrostUnit
0RB6	GndCustomer	12WUp1	12WUpFront	24VI7	WiperPower
0RB7	GndAwningWindow	12WUp2	12WUptoDash	24VI8	24VltoMux
0RB8	GndTrailerConnector	12WUp3	24WupLuggageslock	24VI9	24VltofA54
0RC1		12WUp5	PwrtoModuleA51	24VI9A	24VltofA54
0RC2	GndDriverCylinder	13	GndTransducer	24VI9B	24VltofA54
0RC3	Gnd	16	SpeedSignal	24VI10	R40 Pwr

CIRCUITS LIST

CircuitID	Description	CircuitID	Description	CircuitID	Description
24VI13	24VIspace	48C	DoorUpperPenSig	72B	SunVisorRHSig
24VI14	24VIspace	49A	DoorInsideSwCloseSig	72C	SunVisorSignal
24VIA	Cut-outPneumaticAcc	50	WitnessGndSig	72D	SunVisorRHSig
24VICust	24VICustomer	52	Sw102	72R	GndRJB
24VIF	24VltoFrontVEC	53	LowerWip.Spd1Sig	74D	SunVisorSignal
24WUp1	24VWUptoA47	53A	ElectricalHorn	76	FuelLevelSig
24Wup1	24WUpFront	53B	Wiper	76C	FuelLowLevelSig
25	EngineRunSignal	53C	LowerWip.IntSig	76P	PrimePumpSig
25A1	ExcitationSignal	53D	LowerWip.WasherSwSig	77	TransducerHi-Side
25A2	Alternator2Signal	53E	LowerWiper1stSpd	77B	PassandPRackLiquidValve
25L	75ADelcoAlt.signal	53F	LowerWasherPump	77BA	A/CClutch
26	DriverWdoPwr	53H	LowerWiper	77BB	A/CClutchsmalla/c
26A	DriverWdo	53K	KeyLessSig	77C	PassandPRackLiquidValve
26B	DriverWdo	54	TestSwitch	77K	CoilThermostatSignal
26D	EntranceWdo	56	Sw103	78	StopLightSensorSig
26E	EntranceWdo	57A		79	TranducerLow-Side
27	PowerEntranceDoorWdo	57L	Hi-Beam	79A	DecelSignal
28	AudibleRlySig	57R	HighBeamRH	79B	12V_Wup
31	UnloaderRH	57Rtn	SignalRtnHeadLtsLH	81	HeadLtCallSw1
31B	WiperPower	58L	LowBeam	82A	CyclopeLamp
32	FrontSlideOutExtending	58R	LowBeamRH	82Low	StopRearLowerLamp
32A	BackupLtandalarm	58Rtn	HeadLampRHRtn	82Up	StopRearUpperLamps
32D	BackupLtandalarm	59	Hi/LowBeamSignal	83	24vAccessories
33	UnloaderLH	60	FogsLtsSwSig	84B	StartSigSw83
35	EntranceDoorLights	61	HeadLtsSig	85	24Vignition
35A	Entrancelight	63	ClearanceLts	85A	Ign-AccSignal
39	DriverLtSwSig	63A	FrontClearanceLts	85B	Wake-upSig
39AA	GndElectronic	63AA	ClearanceLts	85C	PositionNormalSw58
39B	KeyLessSig	63BB	ClearanceLts	85D	RearStartPwr
39D	DriverLt	64A	Blinker	85E	RearStartSignal
39Rtn	GndDriverLt	65	FootDamper	85F	EgnineStartPwrSw58
40	WitnessGnd	65A	FootDamper	85G	
41	24VCondensor	65D	DriverCylinder	85J	CutoutRlyLatchSig
41A	CondensorPwr	65P	Pass.Cylinder	85Y	ABSTLT
42A	12VCondensor	66	MarkersSigSw2	85Z	AbsTrailerWarningSignal
45	UpperdefrosterSwSig	67	EvaporatorPwr	86	DefrostunitSpd
45A	PassengerHeatSig	67A	Condensor1stSpdSig	86A	PassengerDefrosterControl
46	FrontFlasherRh	68	DashDamper	86ARtn	GndReturn
46A	FrontMarkers	68A	DashDamper	86BRtn	GndReturn
47	DoorOpenSignal	69	ElectricalHorn	86RTN	GndEntrancedoorLt
47A	DoorOpenSignal	69A	PneumaticHorn	86Rtn	GndPassengerDefrosterControl
48A	DoorUpperPen	71A	DockingLtsLH	87	TrailerParkBrakeSig
48B	DoorUpperPenSig	72A	DockinaLtsRH	88	CompressorPressureSignal

CIRCUITS LIST

CircuitID	Description	CircuitID	Description	CircuitID	Description
89	DriverSensorSig	124A	Transmission	147	EtherSignal
90C	CustomerSparePwr	125	RetarderSig	147A	Ether
90H	24VtoEvap	126F	LevelLowSignal	148	Transmission
90H1	Evaporator	127	Transmission	149	Transmission
91	ParkBrakeSig	131	Transmission	149A	ABSSensor
91B	WitnessSigSw14	132	DifferentialLockSignal	150	GndtoEcm
92	TrailerParkBrakeSig	132A	LevelLowSo29	151	GndtoEcm
93	PassengerDefrostSwitchUp	132B	LevelLowSo30	151A	Gnd_to_ECM
94	PassengerDefrostSwitchDown	132C	LevelLowSo31	151B	Gnd_to_ECM
95	DockingLTswSig	132D	LevelLowSo32	151C	Gnd_to_ECM
96	CorneringLTswSig	132E	LevelLowPower	151D	Gnd_to_ECM
97	LowDockingLightsSwitchSignal	132F	LevelLowPower	152	Transmission
98	BackupCancelSwitch	133	Transmission	154	Transmission
00A1	GndElectronic	135	Transmission	155	Transmission
0B1	GndEnginePreheater	135A	Transmission	156A	12VtoABS
00B1	GndEng.Start	136	Transmission	157B	Engine_Brake_Retarder_Option
0V1	LuggageDoorOpenSig	136A	TransmissionPwr	157D	ATCTTLT
0V2	LuggageDoorOpenSig	136AA	ShifterSignal	159	Transmission
0V3	LuggageDoorOpenSig	137	Transmission	160	TagSignal
0V4	EvaporatorLightSwitch	137A	MirrorPwrSig	163	Transmission
0V4A	CondensorLightSwitch	137B	Mirrors	164	HandLevelSig
0V5	LuggageDoorOpenSig	137C	Mirrors	166	WitnessSigSw16
0Y2	GndChassisABSSol	137D	Mirrors	170A	LuggagesLocks
0Y3	GndChassisABSSol	137E	Mirrors	170B	LuggagesLocks
101	PwrtoStarter	137F	Mirrors	170D	Luggageslockrelay
102	Alternator	137H	Mirrors	170E	Luggagesdoorslockrelays
102A	Alternator	137J	Mirrors	170F	LuggagesLocks
104	LevelLowSo28	137K	Mirrors	170G	LuggagesLocks
105	FogLtsLH	137L	Mirrors	170K	LuggagesLocksSwitch
106	FogLtsRH	137M	Mirrors	170KK	ElectronicGnd
111	Transmission	138	Transmission	170L	LuggagesLocksSwitch
114	BacklightPwr	138A	ABSSensor	170M	LuggagesLocksSwitch
114A	Backlight	139	Transmission	170N	LuggagesLocksSwitch
114AA	ClusterKeyPadBacklight	140	Transmission	170P	LuggagesLocksSwitch
115	Transmission	141	Transmission	170Q	LuggagesLocksSwitch
115A	12V_Sw35	142	ABSSolenoid	170R	LuggagesLocksSwitch
115W	Transmission	143	ABSSensor	170S	LuggagesLocksSwitch
116	DriverLiq	143A	ABSSensor	170SS	LuggagesLocksSwitch
116A	DriverLiq	144	ABSSensor	170T	LuggagesLocksSwitch
119	Transmission	144A	ABSSensor	170V	LuggagesLocksSwitch
120	Transmission	145	ABSSolenoid	170W	Luggageslockrelay
123	FireAlarm	146	ABSSolenoid	170X	LuggagesLocksSwitch
123A	WakeUpSignal	146A	Transmissionlan	170Y	LuggagesLocks

CIRCUITS LIST

CircuitID	Description	CircuitID	Description	CircuitID	Description
170Z	LuggagesLocks	291	FanClutch	602	ABSSteering&Yawsensor
171	LuggageUnlockSwSig	292	FanClutch	603	ABSSteering&Yawsensor
174	Transmission	293	FanClutchSwSig	604	ABSSteering&Yawsensor
175	Transmission	294	KeyLessSig	605	ABSSteering&Yawsensor
176	Transmission	295	KeylessModuleOutput	606	ABSPressuresensor
177	Transmission	296	RJBDoorFan	607	ABSPressuresensor
180	Transmission	296A	RJBTempSensor	608	ABSPressuresensor
181	OutsideSensorSig	296B	RJBTempSensor	609	ABSPressuresensor
181C	OutsideTemperatureSensor	352	OverrideSignal	610	ABSPressuresensor
181D	Outsidetempssensor	417	ThrottlePositionSignal	611	AbsTagSolenoid
185	TransmissionInhibitSig	439	12VtoProDriver	612	AbsTagSolenoid
197	FuelFilterSig	500	Engine_Brake	613	AbsTagSolenoid
201	HeadLampSignal	501	Ground_Control_Relay	614	ABSSteeringSolenoid
202	HeadLampWash.Pump	502	IVSOut	614A	ABSSteeringSolenoid
231	NeutralSignal	503	MILLamp	615	ABTrailersolenoid
231A	StarterRelay	504	CrankSignal	616	ABTrailersolenoid
231B	Starter_Relay	505	DPFSensor	617	ABTrailersolenoid
240	PwrtoDDEC	506	DPFSensor	900	J1587
240A	PwrDDDRConn	507	DPFSensor	901	J1587
240B	PwrtoDDEC	508	DPFSensor	911	EmergencyCutoutRlySignal
241	PwrtoDDEC	510	FastIdleSignal	916	5VSensorPwr
241A	PwrtoDDEC	511	DPFSensor	952	GndSensorRtn
241B	PwrtoDDEC	512	DPFSensor	953	Electronic_ground_DDEC_VI
241C	WaterInFuelHeater	513	DPFSensor	979	EngineBrakeLowSig
260	WindowAjarSignal	514	DPFSensor	979A	EngineBrakeLowSig
272	KeylessModuleInput	515	GroundPreheaterRelay	A	Trans.HandLever
274	KeylessModuleInput	516	EngineBrakeLowSig	B	Trans.HandLever
276	KeylessModuleInput	517	EngineBrakeHiSig	BLACK	TrailerBackupLights
277	KeylessModuleKeypadLt	524B	IdleValidationSig	BLUE	TrailerconnectorABSPower
278	KeylessModuleInput	524C	IdleValidationSig	BluFR	
280	KeylessModuleInput	528	OverrideSignal	BluRL	
283	EntranceDoorHingeSignal	541	CruiseSetSig	BluRR	
283A	UnlockSig	544	CruiseOn_OffSignal	Bref1	PassengerSensor
283C	EntranceDoorHingeSignal	544A	CruiseOn-OffLed	BROWN	TrailerMarkerlights
284A	LuggagesUnlockRelays	545	CruiseResumeSig	C	Trans.HandLever
284B	KeyLessSig	555	FanClutchSignal	CAN2-H	EngineCan2
285	LuggagesLockRelays	563	FanClutchSignal	CAN2-L	EngineCan2
285B	KeyLessSig	564B	OutZFDecelSig	CanH	CanHSignal
286	EntranceDoorLock	583	EngineBrakeHiSig	CanH1	Spareftrtorr
286A	EntranceDoorLock	600	ABSSensor	CanL	CanLSignal
286B	FrontDoorLock	600A	ABSSensor	CanL1	Spareftrtorr
287	KeyLessSig	601	ABSSensor	CC1	Converterinput1
290	GndFanClutch	601A	ABSSensor	CC2	ConverterInput2

CIRCUITS LIST

CircuitID	Description	CircuitID	Description	CircuitID	Description
CC3	ConverterInput3	N6	A43Adress	So7	Proximitysignal
CC4	ConverterInput4	N7	A44Adress	SO8	PowerSldOut1Sensor
CC5	Converterinput5	N8	A44Adress	So8	PowerSldOut1Sensor
CC12	Converteroutput1	N9	A45Adress	So9	SldOut1StatusLed
CC13	ConverterOutput3	N10	A45Adress	So10	SldOut1RelaySig
CC14	ConverterOutput2	N11	A46Adress	So11	SldOut2RelaySig
CC15	Converteroutput4	N12	A46Adress	So12	SealInflating
CC16	Converteroutput5	N13	A47Adress	So13	SldOut1SealDeflatSig
CC17	ConverterOutput6	N14	A47Adress	So14	SldOut1VacumGen
Cd	ComputerSignals	N15	A48Adress	So16	SensorGndRtn
Cd1	ComputerSignals	N16	A48Adress	So18	GndSlideOut
Cts	ComputerSignals	N17	A49Adress	So19	SldOutMotor1Sig
D	Trans.HandLever	N18	A49Adress	So20	SldOutMotor1Sig
DBusH	DBusSignal	N19	A50Adress	So21	SldOut1MotorSig
DbusH	DBusSignal	N20	A50Adress	So26	SlideOut
DBusL	DBusSignal	N21	A51Adress	So31	GndSlideOut
DbusL	DBusSignal	N22	A51Adress	So32	SldOut1SignalOut
E	Trans.HandLever	N23	A52Adress	So33	SldOut2SignalIn
Engine_Can+	EngineCan	N24	A52Adress	So36	Proximitysignal
Engine_Can-	EngineCan	N25	A53Adress	So37	Proximitysignal
F	Trans.HandLever	N26	A53Adress	So38	PowerSldOut2Sensor
G	Trans.HandLever	N27	A54Adress	So39	SldOut2StatusLed
GndA	ComputerSignals	N28	A54Adress	So40	SldOut2RelaySig
GREEN	TrailerFlasherRH	N29	A36Adress	So41	SldOut2RelaySig
H	Trans.HandLever	N30	A56Adress	So42	SldOut2SealDeflatSig
IPJ1	Cluster	N31	A56Adress	So46	SldOutMotor2sig
IPJ2	Cluster	N32	A57Adress	So47	SldOutMotor2sig
IPJ5	Cluster	N33	A57Adress	So48	SldOut2MotorSig
IPJ6	Cluster	nil	Inside_VECF	So55	SecurityPinSol
IPJ7	Cluster	OFB3		So58	SldOutMotor1Sig
IPJ8	Cluster	OFB5		So59	SldOutMotor2sig
J1939H	J1939	RED	TrailerStopLights	So61	SldOut2SealInflat
J1939L	J1939	RedFR		SP	ConverterVehicleSpeed
LX5	ClusterKeyPad	RedRR		spare2	SparesFr-to-RearHarness
LX6	ClusterKeyPad	Ref1	GndPassengerSensor	spare3	SparesFr-to-RearHarness
LX7	ClusterKeyPad	Rts	ComputerSignals	spare4	SparesEvap.Harness
LX16	ClusterKeyPad	RX		spare5	SparesEvap.Harness
LX21	ClusterKeyPad	RxD	ComputerSignals	spare6	SparesEvap.Harness
N1	A41Adress	So1	Gnd	spare7	SparesEvap.Harness
N2	A41Adress	So2	SldOutRemoteSig	spare8	SparesEvap.Harness
N3	A42Adress	So3	SldOutInSig	spare9	SparesEvap.Harness
N4	A42Adress	So4	SignalOut	spare17	SparesFr-to-RearHarness
N5	A43Adress	So6	Proximitvsianal	spare18	SparesFr-to-RearHarness

CIRCUITS LIST

CircuitID	Description	CircuitID	Description		
spare19	SparesFr-to-RearHarness	spare63	spareABSHarness		
spare20	SparesClearanceLts	spare94	SparesRearClearanceHarness		
spare21	SparesClearanceLts	spare95	SparesRearClearanceHarness		
spare22	SparesClearanceLts	spare96	spare		
spare23	SparesClearanceLts	spare97	spare		
spare24	SparesClearanceLts	spare98	spare		
spare24VI2	spare24	spr24VI1	spare24		
spare24VI3	spare	TX			
spare25	SparesClearanceLts	TxD	ComputerSignals		
spare26	SparesFrontHarness	WHITE	TrailerConnectorGnd		
spare27	SparesFrontHarness	YELLOW	TrailerFlasherLH		
spare28	SparesFrontHarness	YloFR			
spare29	SparesFrontHarness	YloRL			
spare30	SparesFrontHarness	YloRR			
spare31	SparesFrontHarness				
spare32	SparesFrontHarness				
spare33	SparesFrontHarness				
spare34	SparesFrontHarness				
spare35	SparesFrontHarness				
spare36	SparesFrontHarness				
spare37	SparesFrontHarness				
spare38	SparesFrontHarness				
spare39	SparesDash				
spare40	SparesDash				
spare41	SparesDash				
spare42	SparesDash				
spare43	SparesDash				
spare44	SparesDash				
spare45	SparesFr-to-RearHarness				
spare46	SparesFr-to-RearHarness				
spare49	SparesEngineCradle				
spare50	SparesEngineCradle				
spare51	SparesEngineCradle				
spare52	SparesEngineCradle				
spare53	SparesEngineCradle				
spare54	SparesEngineCradle				
spare55	SparesEnginesAccessories				
spare57	SparesEnginesAccessories				
spare58	SparesEnginesAccessories				
spare59	SparesEnginesAccessories				
spare60	SparesEnginesAccessories				
spare61	SparesEnginesAccessories				
spare62	spareABSHarness				

CIRCUITS LIST

CircuitID	Description	CircuitID	Description	CircuitID	Description
0	GndLevelLow	0RC1		12w_up	VecrInside
2B	CondSndSpdSig	0RC2	GndDriverCylinder	12Wup	Vecr_Inside
5A	UpperHeaterPwr	0RC3	Gnd	12Wup1	12WUpFront
5B	UpperHeaterPwr	0RC4	Gnd	12Wup2	12WUptoDash
5C	UpperHeaterPwr	0SA1	GndAlternator	12Wup5	PwrtoModuleA51
7	DriverSensorRtn	0SA2	GndAlternator	13	GndTransducer
9	EngCmpt.LtsSwitch	0ST	GndSterringMultifuntion	16	SpeedSignal
9B	EngineCmpt.Lt	0VA		18	Wip.WasherLevel
9BRtn	GndEngineCmpt.Lts	0Y	ABS_Gnd	20	Air_Dryer_Pwr
0A	Evap.Gnd	10	LuggageCmpt.LtsPwr	21	FlasherLHSig
00A	GndElectronic	10A	LuggageCmpt.LtsPwr	21A	FrontFlasher
00AB		12	RearSlideOutRetractingSignal	21AA	FlashersRearLH
0B	GndEngineCompt	12B	12VTOCB2	21B	CorneringLtsLH
00B	ElectronicGndofMuxModules	12C	12Direct	21BR	GndFoglights
0BR3	GndRearLighting	12CPC	R22_DDEC	21C	UpperRearLights
0C	GndStarter062214	12Ecu	12v_Engine_Ecu	22	HazardSwSig
0CE	GND48A47	12ecu	VecrInside	23	FlasherRHSig
0DG	GndAlternatorSupp.	12K	KeyLessign	23A	FrontFlasherRH
0EV1	GndCondensor	12VB		23AA	FrontFlasherRHSide
0EV2	GndHvac	12VD1	12VDFrontWake-up	23B	CorneringLtsRH
0F	FJBDoorOpenSig	12VD2	12Direct	23BR	GndFogandCorneringLtsRH
0FA1	GndofEntranceWdo	12VD3	12vRearwake-up	23C	UpperRearLights
0FA4	Chassisgnd	12VD4	12VDWitnessPwrSw4	24	MasterRelayPwr
0FB1	GndMirrors	12VDCust	12VDCustomer	24AW	AwiningWindowsPower
0FB2	GndDriverWdo	12VDF	12VDtoFrontVec	24CO	PwrtoExcitationResistor
0FB3	GNDCustomer	12VDF3	ProDriverBatteryPower	24D	24Direct
0FC1	Driverseat	12VI	12VltoCB10	24F	24Ignition
0FC4	ElectricalHorn	12vi	VecrInside	24FPS	
0FD1	GNDMuxpower	12VI1	12VlofA44	24VB	
0FE		12VI2	MirrorPwr	24VB1	24VEnginePreheater
0G	GndofA54	12VI3	PwrOutletDrawer	24VB2	24VEnginePreheater
0H	GroundCoolantSensor	12VI4	PwrOutletandCigarLighter	24VD	24VD
0L	KeylessModuleKeypadGnd	12VI5	12VltoVECR	24vd	VecrInside
0PR2	GndFrontClearanceLts	12VI6	PwrtoModuleA50	24VD1	24VDtoFront
0PR3	UpperDefrosterGnd	12VI7	TrailerABSPower	24VD2	24VDtoRearVec
0R	GndPrimePump	12VI9		24VD3	24VDofCECM
0RA2	SignalGndR1	12VI10	12Vlspare	24VD4	24VDFrontWake-up
0RB3	Gnd	12VI11	12Vlspare	24VD5	24VD
0RB4	Luggageslockunlockrelay	12VICust	12VICustomer	24VD7	PassandPRackPwr
0RB5	Luggageslockunlockrelay	12VIF	12VltoFrontVec	24VDCust	24VDCustomer
0RB6	GndCustomer	12VIF19	12VI_DDDL	24VI	24VI
0RB7	GndAwningWindow	12VIZF	ZFsterringControl	24vi	VecrInside
0RB8	GndTrailerConnector	12WUp1	12VWUptoA48	24VI1	24VltoRearVec

CIRCUITS LIST

CircuitID	Description	CircuitID	Description	CircuitID	Description
24V12	Multifunctionswitchpower	41	24VCondensor	65P	Pass.Cylinder
24V13	24Vlgn	41A	CondensorPwr	66	MarkersSigSw2
24V14	SunVisorsPwr	42A	12VCondensor	67	EvaporatorPwr
24V15	24VlofMuxmodules	45	UpperdefrosterSwSig	67A	Condensor1stSpdSig
24V16	PwrtoDefrostUnit	45A	PassengerHeatSig	68	DashDamper
24V17	WiperPower	46	FrontFlasherRh	68A	DashDamper
24V18	24VltoMux	46A	FrontMarkers	69	ElectricalHorn
24V19	24VlofA54	47	DoorOpenSignal	69A	PneumaticHorn
24V19A	24VlofA54	47A	DoorOpenSignal	71A	DockingLtsLH
24V19B	24VlofA54	48A	DoorUpperPen	72A	DockingLtsRH
24V110	24VI	48B	DoorUpperPenSig	72B	SunVisorRHSig
24V113	24Vlspare	48C	DoorUpperPenSig	72C	SunVisorSignal
24V114	24Vlspare	49A	DoorInsideSwCloseSig	72D	SunVisorRHSig
24V1A	Cut-outPneumaticAcc	50	WitnessGndSig	72R	GndRJB
24VICust	24VICustomer	52	Sw102	74D	SunVisorSignal
24VIF	24VltoFrontVEC	53	LowerWip.Spd1Sig	76	FuelLevelSig
24WUp1	24VWUptoA47	53A	ElectricalHorn	76C	FuelLowLevelSig
24Wup1	24WUpFront	53B	HornElectric	76P	PrimePumpSig
25	EngineRunSignal	53C	LowerWip.IntSig	77	TransducerHi-Side
25A1	ExcitationSignal	53D	LowerWip.WasherSwSig	77B	PassandPRackLiquidValve
25A2	Alternator2Signal	53E	LowerWiper1stSpd	77BA	A/CClutch
25L	75ADelcoAlt.signal	53F	LowerWasherPump	77BB	A/Cclutchsmalla/c
26	DriverWdoPwr	53H	LowerWiper	77C	PassandPRackLiquidValve
26A	DriverWdo	53K	KeyLessSig	77K	CoilThermostatSignal
26B	DriverWdo	54	TestSwitch	78	StopLightSensorSig
26D	EntranceWdo	57A		79	TranducerLow-Side
26E	EntranceWdo	57L	Hi-Beam	79A	DecelSignal
27	PowerEntranceDoorWdo	57R	HighBeamRH	79B	12V_Wup
28	AudibleRlySig	57Rtn	SignalRtnHeadLtsLH	80	BrakeRedundant
31	UnloaderRH	58L	LowBeam	81	HeadLtCallSw1
31B	WiperPower	58R	LowBeamRH	82A	CyclopeLamp
32	FrontSlideOutExtending	58Rtn	HeadLampRHRtn	82Low	StopRearLowerLamp
32A	BackupLtantalarm	59	Hi/LowBeamSignal	82Up	StopRearUpperLamps
32D	BackupLtantalarm	60	FogsLtsSwSig	83	24vAccessories
33	UnloaderLH	61	HeadLtsSig	84B	StartSigSw83
35	EntranceDoorLights	63	Clearancelts	85	24Vignition
35A	Entrancelight	63A	FrontClearancelts	85A	Ign-AccSignal
39	DriverLtsSwSig	63AA	Clearancelts	85a	Ign-AccSignal
39AA	GndElectronic	63BB	Clearancelts	85B	Wake-upSig
39B	KeyLessSig	64A	Blinker	85C	PositionNormalSw58
39D	DriverLt	65	FootDamper	85D	RearStartPwr
39Rtn	GndDriverLt	65A	FootDamper	85E	RearStartSignal
40	WitnessGnd	65D	DriverCylinder	85F	

CIRCUITS LIST

CircuitID	Description	CircuitID	Description	CircuitID	Description
85G	EgnineStartPwrSw58	114A	Backlight	137K	Mirrors
85J	CutoutRlyLatchSig	114AA	ClusterKeyPadBacklight	137L	Mirrors
85Y	ABSTTLT	115	Transmission	137M	Mirrors
85Z	AbsTrailerWarningSignal	115A	WitnessLampPwr	138	Transmission
86	DefrostunitSpd	115W	Transmission	138A	ABSSensor
86A	PassengerDefrosterControl	116	DriverLiq	139	Transmission
86ARtn	GndReturn	116A	DriverLiq	140	Transmission
86BRtn	GndReturn	119	Transmission	141	Transmission
86RTN	GndEntrancedoorLt	120	Transmission	142	ABSSolenoid
86Rtn	GndPassengerDefrosterControl	121	SteeringOutSignal	143	ABSSensor
87	TrailerParkBrakeSig	122	SteeringOutSignal	143A	ABSSensor
88	CompressorPressureSignal	123	FireAlarm	144	ABSSensor
89	Driversensorsig	123A	WakeUpSignal	144A	ABSSensor
90H	24VltoEvap	124A	Transmission	145	ABSSolenoid
90H1	Evaporator	125	RetarderSig	146	ABSSolenoid
91	ParkBrakeSig	126F	LevelLowSignal	146A	TransmissionIgn
91B	WitnessSigSw14	127	Transmission	147	EtherSignal
92	TrailerParkBrakeSig	128	SteeringMultifunctionPwr	147A	Ether
93	PassengerDefrostSwitchUp	129	SunVisors	148	Transmission
94	PassengerDefrostSwitchDown	130	SunVisors	149	Transmission
95	DockingLTswSig	131	Transmission	149A	ABSSensor
96	CorneringLTswSig	132	DifferentialLockSignal	150	Transmission
97	LowDockingLightsSwitchSignal	132A	LevelLowPower	151	GndtoEcm
98	BackupCancelSwitch	132B	LevelLowSo30	151A	Gnd_to_ECM
00A1	GndElectronic	132C	LevelLowSo31	151B	Gnd_to_ECM
0B1	GndEnginePreheater	132D	LevelLowSo32	151C	Gnd_to_ECM
00B1	GndEng.Start	132E	LevelLowPower	151D	Gnd_to_ECM
0V1	LuggageDoorOpenSig	132F	LevelLowPower	152	Transmission
0V2	LuggageDoorOpenSig	133	Transmission	154	Transmission
0V3	LuggageDoorOpenSig	135	Transmission	155	Transmission
0V4	EvaporatorLightSwitch	135A	Transmission	156A	12VltoABS
0V4A	CondensorLightSwitch	136	Transmission	157D	ATCTTLT
0V5	LuggageDoorOpenSig	136A	TransmissionPwr	159	Transmission
0Y2	GndChassisABSSol	136AA	ShifterSignal	160	TagSignal
0Y3	GndChassisABSSol	137	Transmission	163A	EngBrakeRetSignal
101	PwrtoStarter	137A	MirrorPwrSig	163B	Transmission
102	Alternator	137B	Mirrors	164	HandLevelSig
102A	Alternator	137C	Mirrors	166	WitnessSigSw16
104	LevelLowSo28	137D	Mirrors	170A	LuggagesLocks
105	FogLtsLH	137E	Mirrors	170B	LuggagesLocks
106	FogLtsRH	137F	Mirrors	170D	Luggageslockrelay
111	Transmission	137H	Mirrors	170E	Luggagesdoorslockrelays
114	BacklightPwr	137J	Mirrors	170F	LuggagesLocks

CIRCUITS LIST

CircuitID	Description	CircuitID	Description	CircuitID	Description
170G	LuggagesLocks	241C	WaterInFuelHeater	501	Ground_Control_Relay
170K	LuggagesLocksSwitch	260	WindowAjarSignal	502	IVSOut
170KK	ElectronicGnd	272	KeylessModuleInput	503	MILLamp
170L	LuggagesLocksSwitch	274	KeylessModuleInput	505	DPFSensor
170M	LuggagesLocksSwitch	276	KeylessModuleInput	506	DPFSensor
170N	LuggagesLocksSwitch	277	KeylessModuleKeypadLt	507	DPFSensor
170P	LuggagesLocksSwitch	278	KeylessModuleInput	508	DPFSensor
170Q	LuggagesLocksSwitch	280	KeylessModuleInput	510	FastIdleSignal
170R	LuggagesLocksSwitch	283	EntranceDoorHingeSignal	511	DPFSensor
170S	LuggagesLocksSwitch	283A	UnlockSig	512	DPFSensor
170SS	LuggagesLocksSwitch	283C	EntranceDoorHingeSignal	513	DPFSensor
170T	LuggagesLocksSwitch	284A	LuggagesUnlockRelays	514	DPFSensor
170V	LuggagesLocksSwitch	284B	KeyLessSig	515	GroundPreheaterRelay
170W	Luggageslockrelay	285	LuggagesLockRelays	524B	IdleValidationSig
170X	LuggagesLocksSwitch	285B	KeyLessSig	524C	IdleValidationSig
170Y	LuggagesLocks	286	EntranceDoorLock	528	OverrideSignal
170Z	LuggagesLocks	286A	EntranceDoorLock	541	CruiseSetSig
171	LuggageUnlockSwSig	286B	FrontDoorLock	544	CruiseOn_OffSignal
174	Transmission	287	KeyLessSig	544A	CruiseOn-OffLed
175	Transmission	290	GndFanClutch	545	CruiseResumeSig
176	Transmission	291	FanClutch	555	FanClutchSignal
177	Transmission	292	FanClutch	563	FanClutchSignal
180	Transmission	294	KeyLessSig	564B	OutZFDecelSig
181	OutsideSensorSig	295	KeylessModuleOutput	583	EngineBrakeHiSig
181C	OutsideTemperatureSensor	296	RJBDoorFan	600	ABSSensor
181D	Outsidetempssensor	296A	RJBTempSensor	600A	ABSSensor
182	SunVisor	296B	RJBTempSensor	601	ABSSensor
183	SunVisor	297	TransShiftDown	601A	ABSSensor
184	CustomerC	298	TransShiftUp	602	ABSSteering&Yawsensor
185	TransmissionInhibitSig	341	See_H3_Design	603	ABSSteering&Yawsensor
197	FuelFilterSig	342		604	ABSSteering&Yawsensor
201	HeadLampSignal	343	See_H3_Design	605	ABSSteering&Yawsensor
202	HeadLampWash.Pump	343A	See_H3_Design	606	ABSPressuresensor
231	NeutralSignal	344	ExtinguisherSignal	607	ABSPressuresensor
231A	StarterRelay	345	See_H3_Design	608	ABSPressuresensor
231a	Volvo_Starter_Signal	346	FireAlarm_Detector	609	ABSPressuresensor
231B	Starter_Relay	347	FireAlarm_Detector	610	ABSPressuresensor
240	PwrDDDRConn	348	See_H3_Design	611	AbsTagSolenoid
240A	PwrDDDRConn	351	EngineShout-downSignal	612	AbsTagSolenoid
240B	PwrtoDDEC	352		613	AbsTagSolenoid
241	PwrtoDDEC	417	ThrottlePositionSignal	614	ABSSteeringSolenoid
241A	PwrtoDDEC	439		614A	ABSSteeringSolenoid
241B	PwrtoDDEC	500	DDECGND	615	ABStrailersolenoid

CIRCUITS LIST

CircuitID	Description	CircuitID	Description	CircuitID	Description
616	ABStrailersolenoid	DBusH		N19	A50Address
617	ABStrailersolenoid	Dbush	DBusSignal	N20	A50Address
900	J1587	DBusL		N21	A51Address
901	J1587	DbusL	DBusSignal	N22	A51Address
911	EmergencyCutoutRlySignal	E	Trans.HandLever	N23	A52Address
916	5V SensorPwr	Engine_Can+	EngineCan	N24	A52Address
952	GndSensorRtn	Engine_Can-	EngineCan	N25	A53Address
953	Electronic_ground_DDEC_VI	F	Trans.HandLever	N26	A53Address
979	EngineBrakeA	G	Trans.HandLever	N27	A54Address
979A	EngineBrakeLowSig	GndA	ComputerSignals	N28	A54Address
A	Trans.HandLever	GREEN	TrailerFlasherRH	N29	A36Address
B	Trans.HandLever	H	Trans.HandLever	N30	A56Address
BLACK	TrailerBackupLights	IPJ1	Cluster	N31	A56Address
BikFR		IPJ2	Cluster	N32	A57Address
BikRL		IPJ5	Cluster	N33	
BikRR		IPJ6	Cluster	N34	
BLUE	TrailerconnectorABSPower	IPJ7	Cluster	nil	Inside_VECF
Bref1	PassengerSensor	IPJ8	Cluster	OFB3	
BROWN	TrailerMarkerlights	J1939H	J1939	RED	TrailerStopLights
C	Trans.HandLever	J1939L	J1939	RedFR	
CAN2-H	EngineCan2	LX5	ClusterKeyPad	RedRL	
CAN2-L	EngineCan2	LX6	ClusterKeyPad	RedRR	
CanH	CanHSignal	LX7	ClusterKeyPad	Ref1	GndPassengerSensor
CanH1	Sparefrttr	LX16	ClusterKeyPad	Rts	ComputerSignals
CanL	CanLSignal	LX21	ClusterKeyPad	RX	
CanL1	Sparefrttr	N1	A41Address	RxD	ComputerSignals
Can_H	Can_HSignal	N2	A41Address	So1	Gnd
Can_L	Can_LSignal	N3	A42Address	So2	SldOutRemoteSig
CC1	Converterinput1	N4	A42Address	So3	SldOutInSig
CC2	ConverterInput2	N5	A43Address	So4	SignalOut
CC3	ConverterInput3	N6	A43Address	So6	Proximitysignal
CC4	ConverterInput4	N7	A44Address	So7	Proximitysignal
CC5	Converterinput5	N8	A44Address	SO8	PowerSldOut1Sensor
CC12	Converteroutput1	N9	A45Address	So8	PowerSldOut1Sensor
CC13	ConverterOutput3	N10	A45Address	So9	SldOut1StatusLed
CC14	ConverterOutput2	N11	A46Address	So10	SldOut1RelaySig
CC15	Converteroutput4	N12	A46Address	So11	SldOut2RelaySig
CC16	Converteroutput5	N13	A47Address	So12	Seallnflating
CC17	ConverterOutput6	N14	A47Address	So13	SldOut1SealDeflatSig
Cd	ComputerSignals	N15	A48Address	So14	SldOut1VacumGen
Cd1	ComputerSignals	N16	A48Address	So16	SensorGndRtn
Cts	ComputerSignals	N17	A49Address	So18	GndSlideOut
D	Trans.HandLever	N18	A49Address	So19	SldOutMotor1Sia

CIRCUITS LIST

CircuitID	Description	CircuitID	Description	CircuitID	Description
So20	SldOutMotor1Sig	spare27	SparesFrontHarness	WhtFR	
So21	SldOut1MotorSig	spare28	SparesFrontHarness	WhtRR	
So26	SlideOut	spare29	SparesFrontHarness	YELLOW	TrailerFlasherLH
So31	GndSlideOut	spare30	SparesFrontHarness		
So32	SldOut1SignalOut	spare31	SparesFrontHarness		
So33	SldOut2Signalln	spare32	SparesFrontHarness		
So36	Proximitysignal	spare33	SparesFrontHarness		
So37	Proximitysignal	spare34	SparesFrontHarness		
So38	PowerSldOut2Sensor	spare35	SparesFrontHarness		
So39	SldOut2StatusLed	spare36	SparesFrontHarness		
So40	SldOut2RelaySig	spare37	SparesFrontHarness		
So41	SldOut2RelaySig	spare38	SparesFrontHarness		
So42	SldOut2SealDeflatSig	spare39	SparesDash		
So46	SldOutMotor2sig	spare40	SparesDash		
So47	SldOutMotor2sig	spare41	SparesDash		
So48	SldOut2MotorSig	spare42	SparesDash		
So55	SecurityPinSol	spare43	SparesDash		
So58	SldOutMotor1Sig	spare44	SparesDash		
So59	SldOutMotor2sig	spare45	SparesFr-to-RearHarness		
So61	SldOut2SealInflat	spare46	SparesFr-to-RearHarness		
SP	ConverterVehicleSpeed	spare49	SparesEngineCradle		
spare	VecrInside	spare50	SparesEngineCradle		
spare	VecrInside	spare51	SparesEngineCradle		
spare2	SparesFr-to-RearHarness	spare52	SparesEngineCradle		
spare3	SparesFr-to-RearHarness	spare53	SparesEngineCradle		
spare4	SparesEvap.Harness	spare54	SparesEngineCradle		
spare5	SparesEvap.Harness	spare55	SparesEnginesAccessories		
spare6	SparesEvap.Harness	spare57	SparesEnginesAccessories		
spare7	SparesEvap.Harness	spare58	SparesEnginesAccessories		
spare8	SparesEvap.Harness	spare59	SparesEnginesAccessories		
spare9	SparesEvap.Harness	spare60	SparesEnginesAccessories		
spare17	SparesFr-to-RearHarness	spare61	SparesEnginesAccessories		
spare18	SparesFr-to-RearHarness	spare62	spareABSHarness		
spare19	SparesFr-to-RearHarness	spare63	spareABSHarness		
spare20	SparesClearanceLts	spare94	SparesRearClearanceHarness		
spare21	SparesClearanceLts	spare95	SparesRearClearanceHarness		
spare22	SparesClearanceLts	spare96	spare		
spare23	SparesClearanceLts	spare97	spare		
spare24	SparesClearanceLts	spare98	spare		
spare24VI2	spare24	spr24VI1	spare24		
spare24VI3	spare	TX			
spare25	SparesClearanceLts	TxD	ComputerSignals		
spare26	SparesFrontHarness	WHITE	TrailerConnectorGnd		

BREAKERS LIST

No	Location	Part #	Function	Rating	Page
CB1		563709	*opt*	150amp	3.1
CB2		563710	*opt*	50amp	3.1
CB3	RJB	563707	*opt*	70amp	3.1
CB4	RJB	563708	*opt*	90amp	3.1
CB5	RJB	563707	*opt*	70amp	3.1
CB6	RJB	563704	*opt*	35amp	3.1
CB7	RJB	563706	*opt*	60amp	3.1
CB8	RJB	563705	*opt*	40amp	3.1
CB9	RJB	563707	*opt*	70amp	3.1

BREAKERS LIST

No	Location	Part #	Function	Rating	Page						
CB1		563709	*opt*	150amp	3.1						
CB2		563710	*opt*	50amp	3.1						
CB3	RJB	563707	*opt*	70amp	3.1						
CB4	RJB	563708	*opt*	90amp	3.1						
CB5	RJB	563707	*opt*	70amp	3.1						
CB6	RJB	563704	*opt*	35amp	3.1						
CB7	RJB	563706	*opt*	60amp	3.1						
CB8	RJB	563705	*opt*	40amp	3.1						
CB9	RJB	563707	*opt*	70amp	3.1						

	A	B	C	D	E	F	G	H	I	J	K	L
1	No	Location	Part #	Function	Rating	Page						
2	CB1		563709	*opt*	150amp	3.1						
3	CB2		563710	*opt*	50amp	3.1						
4	CB3	RJB	563707	*opt*	70amp	3.1						
5	CB4	RJB	563708	*opt*	90amp	3.1						
6	CB5	RJB	563707	*opt*	70amp	3.1						
7	CB6	RJB	563704	*opt*	35amp	3.1						
8	CB7	RJB	563706	*opt*	60amp	3.1						
9	CB8	RJB	563705	*opt*	40amp	3.1						
10	CB9	RJB	563707	*opt*	70amp	3.1						
11												
12	CB60	RJB	563699	*opt*	20amp	5.1						
13	CB61	RJB	563699	*opt*	20amp	5.1						
14												
15												
16												
17												
18												
19												
20												
21												
22												
23												
24												
25												
26												
27												
28												
29												
30												
31												
32												
33												
34												
35												
36												
37												
38												
39												
40												
41												
42												
43												
44												

BREAKERS LIST

No	Location	Part #	Function	Rating	Page					
CB1		563709	*opt*	150amp	3.1					
CB2		563710	*opt*	50amp	3.1					
CB3	RJB	563707	*opt*	70amp	3.1					
CB4	RJB	563708	*opt*	90amp	3.1					
CB5	RJB	563707	*opt*	70amp	3.1					
CB6	RJB	563704	*opt*	35amp	3.1					
CB7	RJB	563706	*opt*	60amp	3.1					
CB8	RJB	563705	*opt*	40amp	3.1					
CB9	RJB	563707	*opt*	70amp	3.1					
CB60	{RJBVECR}	563699	Luggage_Door_Lock	20amp	5.1					
CB61	{RJBVECR}	563699	Luggage_Door_Lock	20amp	5.1					
CB82	{FJBVECF}	564464	Lower_Wiper	20amp	4.1					

BREAKERS LIST

No	Location	Part #	Function	Rating	Page							
CB1		563709	12VD	150amp	3,1							
CB2		563710	24VDirect	50amp	3,1							
CB3	RJB	563707	24VI_FJB	70amp	3,1							
CB4	RJB	563708	24VI_Evaporator	90amp	3,1							
CB5	RJB	563707	24VI_Condensor	70amp	3,1							
CB6	RJB	563704	24VI_SlideOut	35amp	3,1							
CB7	RJB	563706	24VI_RJB	60amp	3,1							
CB8	RJB	563705	12VI_Condensor	40amp	3,1							
CB9	RJB	563707	12VI_FJB_RJB	70amp	3,1							
CB60	{RJBVECR}	563699	Luggage_Door_Lock	20amp	5,1							
CB61	{RJBVECR}	563699	Luggage_Door_Lock	20amp	5,1							
CB82	{FJBVECF}	564464	Lower_Wiper	20amp	4,1							

BREAKERS LIST

No	Location	Part #	Function	Rating	Page						
CB1		563709	12VD	150amp	3,1						
CB2		563710	24VDirect	50amp	3,1						
CB3	RJB	563707	24VI_FJB	70amp	3,1						
CB4	RJB	563708	24VI_Evaporator	90amp	3,1						
CB5	RJB	563707	24VI_Condensor	70amp	3,1						
CB6	RJB	563704	24VI_SlideOut	35amp	3,1						
CB7	RJB	563706	24VI_RJB	60amp	3,1						
CB9	RJB	563707	12VI_FJB_RJB	70amp	3,1						
CB60	{RJBVECR}	563699	Luggage_Door_Lock	20amp	5,1						
CB61	{RJBVECR}	563699	Luggage_Door_Lock	20amp	5,1						
CB82	{FJBVECF}	564464	Lower_Wiper	20amp	4,1						

CONNECTORS LIST

No	Location	Part #	Gender	No	Location	Part #	Gender
A1		563975	male	A44.J2	FJB	563132	male
A2		563984	male	A44.J3	FJB	562957	male
A4.A		562428	female	A45.J1	FJB	563133	male
A4.B		561188	female	A45.J2	FJB	563132	male
A5		562428	female	A45.J3	FJB	562957	male
A6		563629	female	A46.J1	FJB	563133	male
A7		563979	male	A46.J2	FJB	563132	male
A8	EngineCmpt.	563403	female	A46.J3	FJB	562957	male
A9.Cx1	FJB	563200	male	A47.J1	RightHandConsole	563133	male
A9.Cx2	FJB	563201	male	A47.J2	RightHandConsole	563132	male
A12	Dash	562464	male	A47.J3	RightHandConsole	562957	male
A13.J1	FJB	562794	male	A48.J1		563133	male
A13.J2	FJB	562650	male	A48.J2		563132	male
A14.CX	Dash	562957	male	A48.J3		562957	male
A14.CY	Dash	562765	male	A49.J1		562767	male
A14.LX	Dash	562766	male	A49.J2		563132	male
A14.LY	Dash	562767	male	A49.J3		562957	male
A14.RX	Dash	562767	male	A50.J1	RJB	563133	male
A15	Dash	562464	male	A50.J2	RJB	563132	male
A18	FJB	562794	male	A50.J3	RJB	562957	male
A18.J2	FJB	562650	male	A51.J1	RJB	563133	male
A24		561889	female	A51.J2	RJB	563132	male
A24.A		561890	male	A51.J3	RJB	562957	male
A24.B		561566	female	A52.J1	RJB	563133	male
A27	ServiceCmpt.	562929	male	A52.J2	RJB	563132	male
A28	ServiceCmpt.	562928	male	A52.J3	RJB	562957	male
A30.A		561611	male	A53.J1	RJB	563133	male
A30.C		561889	female	A53.J2	RJB	563132	male
A31.A		562676	male	A53.J3	RJB	562957	male
A31.B		562675	male	A54.J1	Evap.Cmpt.	563133	male
A36.JA	FJB	562767	male	A54.J2	Evap.Cmpt.	563132	male
A36.JB	FJB	562765	male	A54.J3	Evap.Cmpt.	562957	male
A36.JC	FJB	562957	male	A56.J1		563133	male
A41.J1	FJB	562767	male	A56.J2		563132	male
A41.J2		563132	male	A56.J3		562957	male
A41.J3		562957	male	A57.J1		563133	male
A42.J1	FJB	562767	male	A57.J2		563132	male
A42.J2		563132	male	A57.J3		562957	male
A42.J3		562957	male	A60		562464	male
A43.J1	FJB	562767	male	Alt1.A		560815	female
A43.J2		563132	male	Alt1.B		560815	female
A43.J3		562957	male	Alt1.C		562862	female
A44.J1	FJB	563133	male	Alt2.A		560815	female

CONNECTORS LIST

No	Location	Part #	Gender	No	Location	Part #	Gender
Alt2.B		560815	female	C22		564035	female
Alt2.C		562862	female	C23		561643	male
Alt3.A		560815	female	C23		561642	female
Alt3.B		560086	female	C24_plug		561690	male
Alt3.C		562862	female	C24_socket		561566	female
Alt3.D		560587	female	C34	RightHandConsole	561986	male
C1		563589	male	C34	RightHandConsole	561987	female
C1		563590	female	C41		562477	male
C1S		563589	male	C41		562479	female
C1S		563590	female	C44_plug	FJB	561577	male
C2	ServiceCmpt.	563580	male	C44_socket	FJB	561605	female
C2	ServiceCmpt.	563581	female	C45	FJB	561643	male
C3S_plug		563593	male	C45	FJB	561642	female
C3S_socket		563590	female	C48	ServiceCmpt.	561690	male
C3_plug		563589	male	C48	ServiceCmpt.	561566	female
C3_socket		563590	female	C61		561669	male
C4	ServiceCmpt.	563580	male	C61		561670	female
C4	ServiceCmpt.	563581	female	C62		562566	male
C5		563589	male	C62		562565	female
C5		563590	female	C63		562477	male
C5S		563589	male	C63		562479	female
C5S		563590	female	C69	RrAxleInsidePVC	561607	male
C6	ServiceCmpt.	563582	male	C69	RrAxleInsidePVC	561606	female
C6	ServiceCmpt.	563583	female	C71	FJB	561646	male
C11	ServiceCmpt.	563580	male	C71	FJB	561645	female
C11	ServiceCmpt.	563581	female	C72	ServiceCmpt.	561646	male
C13S		563593	male	C72	ServiceCmpt.	561645	female
C13S		563590	female	C74	ServiceCmpt.	561645	female
C13_plug		563589	male	C74	ServiceCmpt.	561646	male
C13_socket		563590	female	C75		560852	male
C14		561986	male	C75		560851	female
C14		561987	female	C77		560852	male
C15		562477	male	C77		560851	female
C15		562479	female	C78		561690	male
C17	RJB	561986	male	C78		561566	female
C17	RJB	561987	female	C81		560852	male
C18	FJB	561986	male	C81		560851	female
C18	FJB	561987	female	C82		560852	male
C19	RJB	561986	male	C82		560851	female
C19	RJB	561987	female	C83		560852	male
C21		562285	male	C83		560851	female
C21		562282	female	C84		560852	male
C22		564034	male	C84		560851	female

CONNECTORS LIST

No	Location	Part #	Gender	No	Location	Part #	Gender
C85		560852	male	C193_socket	RJB	563590	female
C85		560851	female	C194	{ServiceCmpt.}	563589	male
C86		560852	male	C194		563590	female
C86		560851	female	C228		563227	male
C87	Lavatory	562581	male	C228		563614	female
C87	Lavatory	562583	female	C230	EngineCmpt.	562485	male
C91	RJB	562285	male	C230	EngineCmpt.	562486	female
C91	RJB	562282	female	C242	ServiceCmpt.	563180	male
C92	FJB	561640	male	C242	ServiceCmpt.	563347	female
C92	FJB	561639	female	C243	ServiceCmpt.	563180	male
C95		562581	male	C243	ServiceCmpt.	563347	female
C95		562583	female	C246	ServiceCmpt.	563090	male
C96	FrAxleAccessories	561583	male	C246	ServiceCmpt.	563091	female
C96	FrAxleAccessories	561585	female	C264		561637	male
C97	RrAxleAccInsidePVC	561607	male	C264		561636	female
C97	RrAxleAccInsidePVC	561606	female	C266		561640	male
C100		563589	male	C266		561639	female
C100		563590	female	C269	RHConsole	563090	male
C100S		563589	male	C269	RHConsole	563091	female
C100S		563590	female	C279		562477	male
C101	ServiceCmpt.	561690	male	C279		562479	female
C101	ServiceCmpt.	561566	female	C281		560852	male
C112		562284	male	C281		560851	female
C112		562281	female	C290		560852	male
C114		563582	male	C290		560851	female
C114		563583	female	C291		560852	male
C115		563580	male	C291		560851	female
C115		563581	female	C342		561690	male
C116		563226	male	C342		561566	female
C116		563613	female	C380	Dash	563180	male
C119	EngineDoor	561607	male	C380	Dash	563347	female
C119	EngineDoor	561606	female	C382		561577	male
C120	EngineDoor	561607	male	C382		561605	female
C120	EngineDoor	561606	female	C397		562285	male
C131		561690	male	C397		562282	female
C131		561566	female	C400_plug		561782	male
C168	AboveRearAxle	561690	male	C400_socket		561781	female
C168	AboveRearAxle	561566	female	C426	EngineCmpt	561782	male
C171		561646	male	C426	EngineCmpt	561781	female
C171		561645	female	C463	EngineCmpt.	562570	female
C172		561637	male	C463	EngineCmpt.	562571	male
C172		561635	female	C464	RJB	563180	male
C193 plug		563589	male	C464	RJB	563347	female

CONNECTORS LIST

No	Location	Part #	Gender	No	Location	Part #	Gender
C500		562069	male	CSo5		561847	male
C500		562070	female	CSo5		561862	female
C550		561476	male	CSo7		561695	male
C550		561477	female	CSo7		561694	female
C551		561476	male	CT2		563226	male
C551		561477	female	CT2		563613	female
C552		561476	male	L1		562848	male
C552		561477	female	L16	FrontRoof	562803	male
C553		561476	male	L17		562803	male
C553		561477	female	L18.A		561539	male
C554		561476	male	L18.B		561539	male
C554		561477	female	L21.A	FrontRoof	561608	female
C555		561476	male	L21.B	FrontRoof	562286	male
C555		561477	female	L22.A	FrontRoof	561608	female
C556		561476	male	L22.B	FrontRoof	562286	male
C556		561477	female	L23.A	FrontRoof	561608	female
C557		561476	male	L23.B	FrontRoof	562286	male
C557		561477	female	L24.A	FrontRoof	561608	female
C558		561476	male	L24.B	FrontRoof	562286	male
C558		561477	female	L25.A	FrontRoof	561608	female
C559		561476	male	L25.B	FrontRoof	562286	male
C559		561477	female	L26.A	FrontRoof	561608	female
C560		561476	male	L26.B	FrontRoof	562286	male
C560		561477	female	L27.A	FrontRoof	561608	female
C561		561476	male	L27.B	FrontRoof	562286	male
C561		561477	female	L57.A		563366	male
C562		561476	male	L57.B		562623	male
C562		561477	female	L58.A		562623	male
C581	UnderdashBoard	562777	male	L58.B		562623	male
C589	ServiceCmpt.	563088	male	L59.A	Outside_Front_RH	562623	male
C589	ServiceCmpt.	563089	female	L59.B	Outside_Front_RH	562623	male
C590	RHConsole	563088	male	L60.A	Outside_Front_LH	562623	male
C590	RHConsole	563089	female	L60.B	Outside_Front_LH	562623	male
CC1		563227	male	L61		562601	male
CC1		563614	female	L62	Outside_Front_LH	562601	male
CC2		563226	male	L63	Outside_Front_RH	562155	male
CC2		563613	female	L64	Outside_Front_RH	562155	male
CSo1		562581	male	L65	Outside_Front_LH	562155	male
CSo1		562583	female	L66	Outside_Front_LH	562155	male
CSo1S		562581	male	L67	3rdLuggCmpt.	562155	male
CSo1S		562583	female	L68	3rdLuggCmpt.	562155	male
CSo2		561643	male	L69	3rdLuggCmpt.	562155	male
CSo2		561641	female	L70	3rdLuggCmpt.	562155	male

CONNECTORS LIST

No	Location	Part #	Gender	No	Location	Part #	Gender
L71	Rear_Engine_Door	562601	male	L177	5thLuggCmpt.	561247	male
L72	Rear_Vehicle	562155	male	L178	3rdLuggCmpt.	561247	male
L73	Rear_Vehicle	562601	male	L179	3rdLuggCmpt.	561247	male
L74	Rear_Vehicle	562155	male	L180	2ndLuggCmpt.	561247	male
L75	Rear_Vehicle	562155	male	L181	2ndLuggCmpt.	561247	male
L76	Rear_Engine_Door	562155	male	L182	1stLuggCmpt.	561247	male
L77	Rear_Engine_Door	562601	male	L183	1stLuggCmpt.	561247	male
L78	Rear_Engine_Door	562601	male	L184	ServiceCmpt.	561247	male
L79	Rear_Engine_Door	562601	male	L187		561690	male
L80	Rear_Engine_Door	562601	male	L189	Outside_Front_RH	562069	male
L81.A	Rear_Engine_Door	562835	female	L190	Outside_Front_LH	562069	male
L81.B	Rear_Engine_Door	562834	male	L193.A	Dash	560488	female
L82		562348	female	L193.B	Dash	560488	female
L83	Rear_Engine_Door	562348	female	L194.A	Dash	562019	female
L84.A	RearRoof	561608	female	L194.B		560488	female
L84.B	RearRoof	562286	male	L195.A	Dash	560488	female
L85.A		561608	female	L195.B	Dash	560488	female
L85.B	RearRoof	562286	male	L199	EngineCmpt.	562471	male
L86.A		561608	female	L200	EngineCmpt.	562471	male
L86.B	RearRoof	562286	male	L203		561690	male
L87.A		561608	female	L205.A	Evap.Cmpt.	562485	male
L87.B	RearRoof	562286	male	L208	Outside_Front_LH	563088	male
L88.A		561608	female	L209	Outside_Front_RH	563088	male
L88.B	RearRoof	562286	male	L285		561247	male
L89.A		561608	female	L287		561247	male
L89.B	RearRoof	562286	male	L288		561247	male
L90.A	RearRoof	561608	female	L297.A		562835	female
L90.B	RearRoof	562286	male	L297.B		562834	male
L91	EngineCmpt.	562755	male	L298.A		562835	female
L92	EngineCmpt.	562755	male	L298.B		562834	male
L93.A		563069	female	L300		562155	male
L93.B		563069	female	L301		562155	male
L94.A	EngineCmpt.	563069	female	L302		562155	male
L94.B	EngineCmpt.	563069	female	L303		562155	male
L95	Outside_Front_LH	562902	female	Mo1	EngineCmpt.	561690	female
L96	Outside_Front_RH	562902	female	Mo2	EngineCmpt.	561782	male
L97.A	Outside_Front_LH	563069	female	Mo3	Dash	561667	female
L97.B	Outside_Front_LH	563069	female	Mo4	Dash	562076	male
L98.A	Entrance_Door	563069	female	Mo5		561515	male
L98.B	Outside_Front_RH	563069	female	Mo7.A		563600	female
L173	EngineCmpt.	563268	male	Mo8.A		563600	female
L174	EngineCmpt.	563268	male	Mo12.A	Evap.Cmpt.	561690	male
L176	5thLuggCmpt.	561247	male	Mo15	FrontRoof	560900	female

CONNECTORS LIST

No	Location	Part #	Gender	No	Location	Part #	Gender
Mo16	FrontRoof	560900	female	R19	FJB	562367	male
Mo17		563626	male	R22.A	FJBVECF	561183	male
Mo19.A	ServiceCmpt.	560488	female	R23	RightHandConsole	561183	male
Mo19.B	ServiceCmpt.	560488	female	R25	RJB	561183	male
Mo20.A	ServiceCmpt.	560488	female	R30		561183	male
Mo20.B	ServiceCmpt.	560488	female	R31		561183	male
Mo22	RightHandConsole	561186	male	R32		561183	male
Mo24	RightHandConsole	562348	female	R33		561183	male
Mo25	RightHandConsole	562348	female	Reg.A		560095	female
Mo26		562076	male	Reg.B		560095	female
Mo30		562076	male	Reg.C		560094	female
Mo31		562076	male	Reg.D		560095	female
Mo32		562076	male	Res3		563590	female
Mo33		562076	male	Res4.A		563590	female
Mo34		562076	male	Res5		563590	female
Mo35		562076	male	Res6		563590	female
Mo36		562076	male	Res7		563590	female
Mo37		562076	male	Res12		563590	female
Mo38		562076	male	RSo1.A		561626	female
Mo39		562076	male	RSo1.B		561626	female
Mo40		561477	female	RSo2.A		561626	female
Mo44		561477	female	RSo2.B		561626	female
Mo50		561782	male	RSo3.A		561626	female
Mo53		561248	female	RSo3.B		561626	female
Mo54		562474	male	RSo4.A		561626	female
Mo55.A		563626	male	RSo4.B		561626	female
Mo56		562076	male	Se1	EngineCmpt.	562486	female
Mo57.A		561477	female	Se2	EngineCmpt.	562486	female
Mo58.A		561477	female	Se11.A		560815	female
MoSo1.A		561967	male	Se11.B		560815	female
MOSO2.A		561967	male	Se11.C		560815	female
Pot1.A	Dash	560488	female	Se12	EngineCmpt.	561690	female
Pot1.B	Dash	560488	female	Se13	EngineCmpt.	562350	male
Pot1.C	Dash	560488	female	Se14.A	DriverArea	561782	male
R3	RJB	563409	male	Se14.B	DriverArea	561781	female
R8	RJB	561183	male	Se15.A		562651	female
R9.A	Evap.Cmpt.	563409	male	Se15.B		562651	female
R10.A	Evap.Cmpt.	563409	male	Se15.C		562651	female
R11		561183	male	Se16.A		562651	female
R12.A	Evap.Cmpt.	563409	male	Se16.B		562651	female
R16	Dash	561183	male	Se17.A		562403	female
R17.A		563409	male	Se17.B		562403	female
R18	FJB	562367	male	Se17.C		562403	female

CONNECTORS LIST

No	Location	Part #	Gender	No	Location	Part #	Gender
Se18.A	ServiceCmpt.	560815	female	So24	RearAxleCmpt.	561098	male
Se19.A	ServiceCmpt.	560082	female	So26		562848	male
Se19.B	ServiceCmpt.	560082	female	So27		641385	male
Se19.C	ServiceCmpt.	560082	female	So28		641385	male
Se19.D	ServiceCmpt.	560082	female	So29		641385	male
Se20	Evap.Cmpt.	562426	male	So30		641385	male
Se21	Dash	561248	female	So31		641385	male
Se22	EngineCmpt.	563404	female	So32		641385	male
Se23	EngineCmpt.	563159	male	So36		561690	male
Se24	EngineCmpt.	563159	male	SOSO4.A		641385	male
Se25		561248	female	Sw1.C258		561188	female
Se29		561566	female	Sw1.C259		561186	male
Se32		563057	male	Sw2	Dash	562763	male
Se33		562856	male	Sw3	Dash	562763	male
Se34		563057	male	Sw4	Dash	562763	male
Se35		563057	male	Sw6		562763	male
Se36		563629	female	Sw7.A		562403	female
Se37	Front_Axle_Cmpt.	561132	female	Sw7.B		562403	female
Se38	Front_Axle_Cmpt.	561132	female	Sw8	Dash	562763	male
Se39	RearAxleCmpt.	561132	female	Sw9	Dash	562763	male
Se40	RearAxleCmpt.	561132	female	Sw11	Dash	562763	male
Se45		563409	male	Sw13	Dash	562763	male
Se46		562348	female	Sw14	Dash	562763	male
Se50		562426	male	Sw15	Dash	562763	male
Se52.A		560488	female	Sw16	Dash	562763	male
Se52.B		560488	female	Sw17	Dash	562763	male
Se60		563409	male	Sw18	Dash	562763	male
Se63.A		562426	male	Sw21		562763	male
SES01.A		563159	male	Sw22	Dash	562763	male
SES02.A		562479	female	Sw23	Dash	562763	male
SES03.A		562479	female	Sw24	Dash	562763	male
SES05.A		562479	female	Sw34		562763	male
SES06.A		562479	female	Sw35	Dash	562763	male
So1		561566	female	Sw36	LeftHandConsole	562763	male
So3		641385	male	Sw37	LeftHandConsole	562763	male
So7	ServiceCmpt.	561566	male	Sw38	LeftHandConsole	562763	male
So8	ServiceCmpt.	563204	female	Sw40	LeftHandConsole	561690	male
So9		561566	female	Sw41	LeftHandConsole	562749	male
So11.A		561566	female	Sw44.A		562403	female
So13.A		563204	female	Sw44.B		562403	female
So21	Front_Axle_Cmpt.	561098	male	Sw45.A	5thLuggCmpt.	562403	female
So22	Front_Axle_Cmpt.	561098	male	Sw45.B	5thLuggCmpt.	562403	female
So23	RearAxleCmpt.	561098	male	Sw46.A	5thLuggCmpt.	562403	female

CONNECTORS LIST

No	Location	Part #	Gender	No	Location	Part #	Gender
Sw46.B	5thLuggCmpt.	562403	female	Sw114.B		560079	female
Sw47.A	3rdLuggCmpt.	562403	female	Sw118.A		560079	female
Sw47.B	3rdLuggCmpt.	562403	female	Sw118.B		560079	female
Sw48.A	3rdLuggCmpt.	562403	female	Sw120		562237	female
Sw48.B	3rdLuggCmpt.	562403	female	Sw121		562763	male
Sw49.A	2ndLuggCmpt.	562403	female	Sw122		562763	male
Sw49.B	2ndLuggCmpt.	562403	female	Sw128.A		562403	female
Sw50.A	2ndLuggCmpt.	562403	female	Sw128.B		562403	female
Sw50.B	2ndLuggCmpt.	562403	female	Sw134.A		560079	female
Sw51.A	1stLuggCmpt.	562403	female	Sw134.B		560079	female
Sw51.B	1stLuggCmpt.	562403	female	SwSo1.A		561552	female
Sw52	1stLuggCmpt.	562403	female	SwSo2.A		561552	female
Sw52.B	1stLuggCmpt.	562403	female	VECF1	FJB	563186	male
Sw58	EngineCmpt.	562581	male	VECF2	FJB	563183	male
Sw59.A		561566	female	VECF3		563185	male
Sw60	EngineCmpt.	561566	female	VECF4	FJB	563182	male
Sw64.A	ServiceCmpt.	560815	female	VECF9		563448	male
Sw81.A	Dash	562905	male	VECF10	FJB	563181	male
Sw81.B	Dash	562905	male	VECF11	FJB	563184	male
Sw83.A		560082	female	VECF12	FJB	563187	male
Sw83.B		560815	female	VECR1	RJB	563716	male
Sw83.C		560082	female	VECR2	RJB	563713	male
Sw83.D		560815	female	VECR3	RJB	563715	male
Sw84		561566	female	VECR4	RJB	563712	male
Sw85	LeftHandConsole	562749	male	VECR9	RJB	563718	male
Sw99		562763	male	VECR10	RJB	563711	male
Sw101	LeftHandConsole	562763	male	VECR11	RJB	563714	male
Sw102		562763	male	VECR12	RJB	563717	male
Sw103		562763	male				
Sw104		562763	male				
Sw106		561637	male				
Sw107.A		561190	female				
Sw107.B		561190	female				
Sw107.C		561190	female				
Sw107.D		561190	female				
Sw107.E		561190	female				
Sw107.F		561190	female				
Sw107.G		561190	female				
Sw107.H		561190	female				
Sw107.J		561190	female				
Sw107.K		561190	female				
Sw108		562763	male				
Sw114.A		560079	female				

CONNECTORS LIST

No	Location	Part #	Gender	No	Location	Part #	Gender
A1		563975	male	A44.J1		563133	male
A2		563984	male	A44.J2		563132	male
A4.A		562428	female	A44.J3		562957	male
A4.B		561188	female	A45.J1	FJB	563133	male
A5		562428	female	A45.J2	FJB	563132	male
A6		563629	female	A45.J3	FJB	562957	male
A7		563979	male	A46.J1	FJB	563133	male
A9.Cx1		564041	female	A46.J2	FJB	563132	male
A9.Cx2		563678	male	A46.J3	FJB	562957	male
A9.Cx3		564037	female	A47.J1	RightHandConsole	563133	male
A9.Cx4		564038	female	A47.J2	RightHandConsole	563132	male
A12	Dash	562464	male	A47.J3	RightHandConsole	562957	male
A13.J1	FJB	562794	male	A48.J1		563133	male
A13.J2	FJB	562650	male	A48.J2		563132	male
A14.CX	Dash	562957	male	A48.J3		562957	male
A14.CY	Dash	562765	male	A49.J1		562767	male
A14.LX	Dash	562766	male	A49.J2		563132	male
A14.LY	Dash	562767	male	A49.J3		562957	male
A14.RX	Dash	562767	male	A50.J1	RJB	563133	male
A15	Dash	562464	male	A50.J2	RJB	563132	male
A18	FJB	562794	male	A50.J3	RJB	562957	male
A18.J2	FJB	562650	male	A51.J1	RJB	563133	male
A24		561889	female	A51.J2	RJB	563132	male
A24.A		561890	male	A51.J3	RJB	562957	male
A24.B		561566	female	A52.J1	RJB	563133	male
A27	ServiceCmpt.	562929	male	A52.J2	RJB	563132	male
A28	ServiceCmpt.	562928	male	A52.J3	RJB	562957	male
A30.A		561611	male	A53.J1	RJB	563133	male
A30.C		561889	female	A53.J2	RJB	563132	male
A31.A		562676	male	A53.J3	RJB	562957	male
A31.B		562675	male	A54.J1	Evap.Cmpt.	563133	male
A36.JA	FJB	562767	male	A54.J2	Evap.Cmpt.	563132	male
A36.JB	FJB	562765	male	A54.J3	Evap.Cmpt.	562957	male
A36.JC	FJB	562957	male	A56.J1		563133	male
A41.J1	FJB	562767	male	A56.J2		563132	male
A41.J2		563132	male	A56.J3		562957	male
A41.J3		562957	male	A57.J1		563133	male
A42.J1		562767	male	A57.J2		563132	male
A42.J2		563132	male	A57.J3		562957	male
A42.J3		562957	male	A60		562464	male
A43.J1	FJB	562767	male	A61		562767	male
A43.J2		563132	male	A72.J1		563675	male
A43.J3		562957	male	A72.J2		563678	male

CONNECTORS LIST

No	Location	Part #	Gender	No	Location	Part #	Gender
A72.J3		563679	male	C10		562479	female
A72.J4		563680	male	C11	ServiceCmpt.	563580	male
A73.J1		563681	male	C11	ServiceCmpt.	563581	female
A73.J2		563684	male	C13S		563593	male
A74		563207	male	C13S		563590	female
A96		564073	female	C13_plug		563589	male
A97		563226	male	C13_socket		563590	female
A100		563758	female	C14		561986	male
A101		563758	female	C14		561987	female
A102		563758	female	C15		562477	male
Alt1.A		563746	female	C15		562479	female
Alt1.B		560815	female	C17	RJB	561986	male
Alt1.C		562862	female	C17	RJB	561987	female
Alt2.A		563746	female	C18	FJB	561986	male
Alt2.B		560815	female	C18	FJB	561987	female
Alt2.C		562862	female	C19	RJB	561986	male
Alt3.A		560815	female	C19	RJB	561987	female
Alt3.B		560086	female	C20		561986	male
Alt3.C		562862	female	C20		561987	female
Alt3.D		560587	female	C21		562285	male
C1		563589	male	C21		562282	female
C1		563590	female	C22		564034	male
C1S		563589	male	C22		564035	female
C1S		563590	female	C23		561643	male
C2	ServiceCmpt.	563580	male	C23		561642	female
C2	ServiceCmpt.	563581	female	C24_plug		561690	male
C3S_plug		563593	male	C24_socket		561566	female
C3S_socket		563590	female	C34	RightHandConsole	561986	male
C3_plug		563589	male	C34	RightHandConsole	561987	female
C3_socket		563590	female	C41		562477	male
C4	ServiceCmpt.	563580	male	C41		562479	female
C4	ServiceCmpt.	563581	female	C44_plug	FJB	561577	male
C5		563589	male	C44_socket	FJB	561605	female
C5		563590	female	C45	FJB	561643	male
C5S		563589	male	C45	FJB	561642	female
C5S		563590	female	C48	ServiceCmpt.	561690	male
C6	ServiceCmpt.	563582	male	C48	ServiceCmpt.	561566	female
C6	ServiceCmpt.	563583	female	C49		562005	male
C7		563589	female	C49		561714	female
C7		563590	female	C52		563735	male
C8_plug		563589	female	C61		561669	male
C8_socket		563590	female	C61		561670	female
C10		562477	male	C62		562566	male

CONNECTORS LIST

No	Location	Part #	Gender	No	Location	Part #	Gender
C62		562565	female	C100S		563589	male
C63		562477	male	C100S		563590	female
C63		562479	female	C101	ServiceCmpt.	561690	male
C69		561583	male	C101	ServiceCmpt.	561566	female
C69		561585	female	C112		562284	male
C71	FJB	561646	male	C112		562281	female
C71	FJB	561645	female	C114		563582	male
C72	ServiceCmpt.	561646	male	C114		563583	female
C72	ServiceCmpt.	561645	female	C115		563580	male
C74	ServiceCmpt.	561645	female	C115		563581	female
C74	ServiceCmpt.	561646	male	C116		563226	male
C75		560852	male	C116		563613	female
C75		560851	female	C119	EngineDoor	561607	male
C77		560852	male	C119	EngineDoor	561606	female
C77		560851	female	C120	EngineDoor	561607	male
C78		561690	male	C120	EngineDoor	561606	female
C78		561566	female	C171		561646	male
C81		560852	male	C171		561645	female
C81		560851	female	C172		561637	male
C82		560852	male	C172		561635	female
C82		560851	female	C193_plug		563589	male
C83		560852	male	C193_socket	RJB	563590	female
C83		560851	female	C194	{ServiceCmpt.}	563589	male
C84		560852	male	C194		563590	female
C84		560851	female	C223		563227	male
C85		560852	male	C223		563614	female
C85		560851	female	C225		562650	male
C86		560852	male	C225		562649	female
C86		560851	female	C228		563227	male
C87	Lavatory	562581	male	C228		563614	female
C87	Lavatory	562583	female	C230	EngineCmpt.	562485	male
C91	RJB	562285	male	C230	EngineCmpt.	562486	female
C91	RJB	562282	female	C242	ServiceCmpt.	563347	male
C92		561734	male	C242	ServiceCmpt.	563180	female
C92		561735	female	C243	ServiceCmpt.	563347	male
C95		562581	male	C243	ServiceCmpt.	563180	female
C95		562583	female	C246	ServiceCmpt.	563090	male
C96		561643	male	C246	ServiceCmpt.	563091	female
C96		561642	female	C264		561637	male
C97		561583	male	C264		561636	female
C97		561585	female	C266		561640	male
C100		563589	male	C266		561639	female
C100		563590	female	C269	RHConsole	563090	male

CONNECTORS LIST

No	Location	Part #	Gender	No	Location	Part #	Gender
C269	RHConsole	563091	female	C559		561476	male
C279		562477	male	C559		561477	female
C279		562479	female	C560		561476	male
C281		560852	male	C560		561477	female
C281		560851	female	C561		561476	male
C290		560852	male	C561		561477	female
C290		560851	female	C562		561476	male
C291		560852	male	C562		561477	female
C291		560851	female	C581	UnderdashBoard	562777	male
C380	Dash	563180	male	C589	ServiceCmpt.	563088	male
C380	Dash	563347	female	C589	ServiceCmpt.	563089	female
C382		561577	male	C590	RHConsole	563088	male
C382		561605	female	C590	RHConsole	563089	female
C397		562285	male	CC1		563227	male
C397		562282	female	CC1		563614	female
C400_plug		561782	male	CC2		563226	male
C400_socket		561781	female	CC2		563613	female
C426	EngineCmpt	561782	male	CSo1		562581	male
C426	EngineCmpt	561781	female	CSo1		562583	female
C463	EngineCmpt.	562570	female	CSo1S		562581	male
C463	EngineCmpt.	562571	male	CSo1S		562583	female
C464	RJB	563180	male	CSo2		561643	male
C464	RJB	563347	female	CSo2		561641	female
C500		562069	male	CSo5		561847	male
C500		562070	female	CSo5		561862	female
C550		561476	male	CSo7		561695	male
C550		561477	female	CSo7		561694	female
C551		561476	male	CT2		563226	male
C551		561477	female	CT2		563613	female
C552		561476	male	L1		562848	male
C552		561477	female	L16	FrontRoof	562803	male
C553		561476	male	L17		562803	male
C553		561477	female	L18.A		561539	male
C554		561476	male	L18.B		561539	male
C554		561477	female	L21.A	FrontRoof	561608	female
C555		561476	male	L21.B	FrontRoof	562286	male
C555		561477	female	L22.A	FrontRoof	561608	female
C556		561476	male	L22.B	FrontRoof	562286	male
C556		561477	female	L23.A	FrontRoof	561608	female
C557		561476	male	L23.B	FrontRoof	562286	male
C557		561477	female	L24.A	FrontRoof	561608	female
C558		561476	male	L24.B	FrontRoof	562286	male
C558		561477	female	L25.A	FrontRoof	561608	female

CONNECTORS LIST

No	Location	Part #	Gender	No	Location	Part #	Gender
L25.B	FrontRoof	562286	male	L87.A		561608	female
L26.A	FrontRoof	561608	female	L87.B	RearRoof	562286	male
L26.B	FrontRoof	562286	male	L88.A		561608	female
L27.A	FrontRoof	561608	female	L88.B	RearRoof	562286	male
L27.B	FrontRoof	562286	male	L89.A		561608	female
L57.A		563366	male	L89.B	RearRoof	562286	male
L57.B		562623	male	L90.A	RearRoof	561608	female
L58.A		562623	male	L90.B	RearRoof	562286	male
L58.B		562623	male	L91	EngineCmpt.	562755	male
L59.A	Outside_Front_RH	562623	male	L92	EngineCmpt.	562755	male
L59.B	Outside_Front_RH	562623	male	L93.A		563069	female
L60.A	Outside_Front_LH	562623	male	L93.B		563069	female
L60.B	Outside_Front_LH	562623	male	L94.A	EngineCmpt.	563069	female
L61		562601	male	L94.B	EngineCmpt.	563069	female
L62	Outside_Front_LH	562601	male	L95	Outside_Front_LH	562902	female
L63	Outside_Front_RH	562155	male	L96	Outside_Front_RH	562902	female
L64	Outside_Front_RH	562155	male	L97.A	Outside_Front_LH	563069	female
L65	Outside_Front_LH	562155	male	L97.B	Outside_Front_LH	563069	female
L66	Outside_Front_LH	562155	male	L98.A	Entrance_Door	563069	female
L67	3rdLuggCmpt.	562155	male	L98.B	Outside_Front_RH	563069	female
L68	3rdLuggCmpt.	562155	male	L173	EngineCmpt.	563268	male
L69	3rdLuggCmpt.	562155	male	L174	EngineCmpt.	563268	male
L70	3rdLuggCmpt.	562155	male	L176	5thLuggCmpt.	561247	male
L71	Rear_Engine_Door	562601	male	L177	5thLuggCmpt.	561247	male
L72	Rear_Vehicle	562155	male	L178	3rdLuggCmpt.	561247	male
L73	Rear_Vehicle	562601	male	L179	3rdLuggCmpt.	561247	male
L74	Rear_Vehicle	562155	male	L180	2ndLuggCmpt.	561247	male
L75	Rear_Vehicle	562155	male	L181	2ndLuggCmpt.	561247	male
L76	Rear_Engine_Door	562155	male	L182	1stLuggCmpt.	561247	male
L77	Rear_Engine_Door	562601	male	L183	1stLuggCmpt.	561247	male
L78	Rear_Engine_Door	562601	male	L184	ServiceCmpt.	561247	male
L79	Rear_Engine_Door	562601	male	L187		561690	male
L80	Rear_Engine_Door	562601	male	L189	Outside_Front_RH	562069	male
L81.A	Rear_Engine_Door	562835	female	L190	Outside_Front_LH	562069	male
L81.B	Rear_Engine_Door	562834	male	L193.A	Dash	560488	female
L82		562348	female	L193.B	Dash	560488	female
L83	Rear_Engine_Door	562348	female	L194.A	Dash	562019	female
L84.A	RearRoof	561608	female	L194.B		560488	female
L84.B	RearRoof	562286	male	L195.A	Dash	560488	female
L85.A		561608	female	L195.B	Dash	560488	female
L85.B	RearRoof	562286	male	L199	EngineCmpt.	562471	male
L86.A		561608	female	L200	EngineCmpt.	562471	male
L86.B	RearRoof	562286	male	L203		561690	male

CONNECTORS LIST

No	Location	Part #	Gender	No	Location	Part #	Gender
L205.A	Evap.Cmpt.	562485	male	Mo54		562474	male
L208	Outside_Front_LH	563088	male	Mo55.A		563626	male
L209	Outside_Front_RH	563088	male	Mo56		562076	male
L285		561247	male	Mo57.A		561477	female
L287		561247	male	Mo58.A		561477	female
L288		561247	male	MoSo1.A		561967	male
L297.A		562835	female	MOSO2.A		561967	male
L297.B		562834	male	Pot1.A	Dash	560488	female
L298.A		562835	female	Pot1.B	Dash	560488	female
L298.B		562834	male	Pot1.C	Dash	560488	female
L300		562155	male	R3	RJB	563409	male
L301		562155	male	R9.A	Evap.Cmpt.	563409	male
L302		562155	male	R10.A	Evap.Cmpt.	563409	male
L303		562155	male	R11		561183	male
Mo1	EngineCmpt.	561690	female	R12.A	Evap.Cmpt.	563409	male
Mo2	EngineCmpt.	561782	male	R16	Dash	561183	male
Mo3	Dash	561667	female	R17.A		563409	male
Mo4	Dash	562076	male	R18	FJB	562367	male
Mo5		561515	male	R19	FJB	562367	male
Mo12.A	Evap.Cmpt.	561690	male	R22		561183	male
Mo15	FrontRoof	560900	female	R23	RightHandConsole	561183	male
Mo16	FrontRoof	560900	female	R25	RJB	561183	male
Mo17		563626	male	R29		563409	male
Mo19	{ServiceCmpt.}	562474	male	R30		561183	male
Mo20	{ServiceCmpt.}	562474	male	R31		561183	male
Mo22	RightHandConsole	561186	male	R32		561183	male
Mo24	RightHandConsole	562348	female	R33		561183	male
Mo25	RightHandConsole	562348	female	R40		561183	male
Mo26		562076	male	Res3		563590	female
Mo30		562076	male	Res4.A		563590	female
Mo31		562076	male	Res5		563590	female
Mo32		562076	male	Res6		563590	female
Mo33		562076	male	Res7.A		563590	female
Mo34		562076	male	Res12.A		563590	female
Mo35		562076	male	RSO1.A		561626	female
Mo36		562076	male	RSO1.B		561626	female
Mo37		562076	male	RSO2.A		561626	female
Mo38		562076	male	RSO2.B		561626	female
Mo39		562076	male	RSO3.A		561626	female
Mo40		561477	female	RSO3.B		561626	female
Mo44		561477	female	RSO4.A		561626	female
Mo50		561782	male	RSO4.B		561626	female
Mo53		561248	female	Se1	EngineCmpt.	562486	female

CONNECTORS LIST

No	Location	Part #	Gender	No	Location	Part #	Gender
Se2	EngineCmpt.	562486	female	Se65		564042	female
Se11.A		564460	female	Se66		564039	female
Se11.B		564460	female	Se67		563159	female
Se11.C		564460	female	Se68		563159	female
Se12	EngineCmpt.	561690	female	Se69		563159	female
Se13	EngineCmpt.	562350	male	Se73.A		562426	male
Se14.A	DriverArea	561782	male	SES01.A		563159	male
Se14.B	DriverArea	561781	female	SES02.A		562479	female
Se15.A		562651	female	SES03.A		562479	female
Se15.B		562651	female	SES05.A		562479	female
Se15.C		562651	female	SES06.A		562479	female
Se16.A		562651	female	So1		561566	female
Se16.B		562651	female	So3		641385	male
Se17.A		562291	female	So7	ServiceCmpt.	561566	male
Se17.B		562291	female	So8	ServiceCmpt.	563204	female
Se17.C		562291	female	So9		561566	female
Se18.A		560815	female	So11.A		561566	female
Se18.B		560815	female	So13.A		563204	female
Se19.A		563677	male	So21		564046	female
Se19A.A		563677	male	So22		564046	female
Se20	Evap.Cmpt.	562426	male	So23		564046	female
Se21	Dash	561248	female	So24		564046	female
Se23	EngineCmpt.	563159	male	So26		562848	male
Se24	EngineCmpt.	563159	male	So27		564045	female
Se25		561248	female	So28		641385	male
Se29		561566	female	So29		641385	male
Se32		563057	male	So30		641385	male
Se33		562856	male	So31		641385	male
Se34		563057	male	So32		641385	male
Se35		563057	male	So36		561690	male
Se36		563629	female	So50		564046	female
Se37		641132	female	So51		564046	female
Se38		641132	female	So52		564045	female
Se39		641132	female	SOSO4.A		641385	male
Se40		641132	female	Sw1.C258		561188	female
Se45	{ServiceCmpt.}	562426	male	Sw1.C259		561186	male
Se46		562348	female	Sw2	Dash	562763	male
Se50		562426	male	Sw3	Dash	562763	male
Se52.A		560488	female	Sw4	Dash	562763	male
Se52.B		560488	female	Sw6		562763	male
Se60		563409	male	Sw7.A		562403	female
Se63		641132	female	Sw7.B		562403	female
Se64		641132	female	Sw8	Dash	562763	male

CONNECTORS LIST

No	Location	Part #	Gender	No	Location	Part #	Gender
Sw9	Dash	562763	male	Sw83.A		560082	female
Sw11	Dash	562763	male	Sw83.B		560815	female
Sw13	Dash	562763	male	Sw83.C		560082	female
Sw14	Dash	562763	male	Sw83.D		560815	female
Sw15	Dash	562763	male	Sw84		561566	female
Sw17	Dash	562763	male	Sw85	LeftHandConsole	562749	male
Sw18	Dash	562763	male	Sw99		562763	male
Sw21		562763	male	Sw101		562763	male
Sw22	Dash	562763	male	Sw102		562763	male
Sw23	Dash	562763	male	Sw103		562763	male
Sw24	Dash	562763	male	Sw104		562763	male
Sw34		562763	male	Sw106		561637	male
Sw35	Dash	562763	male	Sw107.A		561190	female
Sw36	LeftHandConsole	562763	male	Sw107.B		561190	female
Sw37	LeftHandConsole	562763	male	Sw107.C		561190	female
Sw38	LeftHandConsole	562763	male	Sw107.D		561190	female
Sw40	LeftHandConsole	561690	male	Sw107.E		561190	female
Sw41	LeftHandConsole	562749	male	Sw107.F		561190	female
Sw44.A		562403	female	Sw107.G		561190	female
Sw44.B		562403	female	Sw107.H		561190	female
Sw45.A	5thLuggCmpt.	562403	female	Sw107.J		561190	female
Sw45.B	5thLuggCmpt.	562403	female	Sw107.K		561190	female
Sw46.A	5thLuggCmpt.	562403	female	Sw108		562763	male
Sw46.B	5thLuggCmpt.	562403	female	Sw114.A		560079	female
Sw47.A	3rdLuggCmpt.	562403	female	Sw114.B		560079	female
Sw47.B	3rdLuggCmpt.	562403	female	Sw118.A		560079	female
Sw48.A	3rdLuggCmpt.	562403	female	Sw118.B		560079	female
Sw48.B	3rdLuggCmpt.	562403	female	Sw120		562237	female
Sw49.A	2ndLuggCmpt.	562403	female	Sw121		562763	male
Sw49.B	2ndLuggCmpt.	562403	female	Sw122		562763	male
Sw50.A	2ndLuggCmpt.	562403	female	Sw124		562957	male
Sw50.B	2ndLuggCmpt.	562403	female	Sw128.A		562403	female
Sw51.A	1stLuggCmpt.	562403	female	Sw128.B		562403	female
Sw51.B	1stLuggCmpt.	562403	female	Sw134.A		560079	female
Sw52	1stLuggCmpt.	562403	female	Sw134.B		560079	female
Sw52.B	1stLuggCmpt.	562403	female	SwSo1.A		561552	female
Sw58	EngineCmpt.	562581	male	SwSo2.A		561552	female
Sw59.A		561566	female	VECF1	FJB	563186	male
Sw60	EngineCmpt.	561566	female	VECF2	FJB	563183	male
Sw64.A		560815	female	VECF3		563185	male
Sw64.B		560815	female	VECF4	FJB	563182	male
Sw81.A	Dash	562905	male	VECF9		563448	male
Sw81.B	Dash	562905	male	VECF10	FJB	563181	male

CONNECTORS LIST

No	Location	Part #	Gender	No	Location	Part #	Gender
A1		563975	male	A43.J3		562957	male
A2		563984	male	A44.J1		563133	male
A4.A		562428	female	A44.J2		563132	male
A4.B		561188	female	A44.J3		562957	male
A5		562428	female	A45.J1	FJB	563133	male
A6		562427	male	A45.J2	FJB	563132	male
A7		563979	male	A45.J3	FJB	562957	male
A9.Cx1		564041	female	A46.J1	FJB	563133	male
A9.Cx2		563678	male	A46.J2	FJB	563132	male
A9.Cx3		564037	female	A46.J3	FJB	562957	male
A9.Cx4		564038	female	A47.J1	RightHandConsole	563133	male
A12	Dash	562464	male	A47.J2	RightHandConsole	563132	male
A13.J1	FJB	562794	male	A47.J3	RightHandConsole	562957	male
A13.J2	FJB	562650	male	A48.J1		563133	male
A14.CX	Dash	562957	male	A48.J2		563132	male
A14.CY	Dash	562765	male	A48.J3		562957	male
A14.LX	Dash	562766	male	A49.J1		562767	male
A14.LY	Dash	562767	male	A49.J2		563132	male
A14.RX	Dash	562767	male	A49.J3		562957	male
A15	Dash	562464	male	A50.J1	RJB	563133	male
A18	FJB	562794	male	A50.J2	RJB	563132	male
A18.J2	FJB	562650	male	A50.J3	RJB	562957	male
A20		562070	female	A51.J1	RJB	563133	male
A24		561889	female	A51.J2	RJB	563132	male
A24.A		561890	male	A51.J3	RJB	562957	male
A24.B		561566	female	A52.J1	RJB	563133	male
A27	ServiceCmpt.	562929	male	A52.J2	RJB	563132	male
A28	ServiceCmpt.	562928	male	A52.J3	RJB	562957	male
A30.A		561611	male	A53.J1	RJB	563133	male
A30.C		561889	female	A53.J2	RJB	563132	male
A31.A		562676	male	A53.J3	RJB	562957	male
A31.B		562675	male	A54.J1	Evap.Cmpt.	563133	male
A36.JA	FJB	562767	male	A54.J2	Evap.Cmpt.	563132	male
A36.JB	FJB	562765	male	A54.J3	Evap.Cmpt.	562957	male
A36.JC	FJB	562957	male	A55.J1		562767	male
A41.J1	FJB	562767	male	A55.J2		563132	male
A41.J2		563132	male	A55.J3		562957	male
A41.J3		562957	male	A56.J1		563133	male
A42.J1		562767	male	A56.J2		563132	male
A42.J2		563132	male	A56.J3		562957	male
A42.J3		562957	male	A57.J1		563133	male
A43.J1	FJB	562767	male	A57.J2		563132	male
A43.J2		563132	male	A57.J3		562957	male

CONNECTORS LIST

No	Location	Part #	Gender	No	Location	Part #	Gender
A60		562464	male	C5S		563590	female
A61		562767	male	C6	ServiceCmpt.	563582	male
A72.J1		563675	male	C6	ServiceCmpt.	563583	female
A72.J2		563678	male	C7		563589	female
A72.J3		563679	male	C7		563590	female
A72.J4		563680	male	C8_plug		563589	female
A73.J1		563681	male	C8_socket		563590	female
A73.J2		563684	male	C10		562477	male
A74		563207	male	C10		562479	female
A82		563739	male	C11	ServiceCmpt.	563580	male
A96		564073	female	C11	ServiceCmpt.	563581	female
A97		563226	male	C13S		563593	male
A100		563758	female	C13S		563590	female
A101		563758	female	C13_plug		563589	male
A102		563758	female	C13_socket		563590	female
A130		563226	male	C14		561986	male
A131.A		561782	male	C14		561987	female
A131.B		561781	female	C15		562477	male
Alt1.A		563746	female	C15		562479	female
Alt1.B		560815	female	C17	RJB	561986	male
Alt1.C		562862	female	C17	RJB	561987	female
Alt2.A		563746	female	C18	FJB	561986	male
Alt2.B		560815	female	C18	FJB	561987	female
Alt2.C		562862	female	C19	RJB	561986	male
Alt3.A		560815	female	C19	RJB	561987	female
Alt3.B		560086	female	C20		561986	male
Alt3.C		560103	female	C20		561987	female
Alt3.D		560587	female	C21		562285	male
C1		563589	male	C21		562282	female
C1		563590	female	C22		564034	male
C1S		563589	male	C22		564035	female
C1S		563590	female	C23		561643	male
C2	ServiceCmpt.	563580	male	C23		561642	female
C2	ServiceCmpt.	563581	female	C24_plug		561690	male
C3S_plug		563593	male	C24_socket		561566	female
C3S_socket		563590	female	C34	RightHandConsole	561986	male
C3_plug		563589	male	C34	RightHandConsole	561987	female
C3_socket		563590	female	C41		562477	male
C4	ServiceCmpt.	563580	male	C41		562479	female
C4	ServiceCmpt.	563581	female	C44_plug	FJB	561577	male
C5		563589	male	C44_socket	FJB	561605	female
C5		563590	female	C45	FJB	561643	male
C5S		563589	male	C45	FJB	561642	female

CONNECTORS LIST

No	Location	Part #	Gender	No	Location	Part #	Gender
C48	ServiceCmpt.	561690	male	C95		562581	male
C48	ServiceCmpt.	561566	female	C95		562583	female
C49		562005	male	C96		561643	male
C49		561714	female	C96		561642	female
C52		563735	male	C97		561583	male
C61		561669	male	C97		561585	female
C61		561670	female	C100		563589	male
C62		562566	male	C100		563590	female
C62		562565	female	C100S		563589	male
C63		562477	male	C100S		563590	female
C63		562479	female	C101	ServiceCmpt.	561690	male
C69		561583	male	C101	ServiceCmpt.	561566	female
C69		561585	female	C102		561690	male
C71	FJB	561646	male	C102		561566	female
C71	FJB	561645	female	C103		562485	male
C72	ServiceCmpt.	561646	male	C103		562486	female
C72	ServiceCmpt.	561645	female	C105		562581	male
C74	ServiceCmpt.	561645	female	C105		562583	female
C74	ServiceCmpt.	561646	male	C106_plug		562581	male
C75		560852	male	C106_socket		562583	female
C75		560851	female	C112		562284	male
C77		560852	male	C112		562281	female
C77		560851	female	C114		563582	male
C78		561690	male	C114		563583	female
C78		561566	female	C115		563580	male
C81		560852	male	C115		563581	female
C81		560851	female	C116		563226	male
C82		560852	male	C116		563613	female
C82		560851	female	C119	EngineDoor	561607	male
C83		560852	male	C119	EngineDoor	561606	female
C83		560851	female	C120	EngineDoor	561607	male
C84		560852	male	C120	EngineDoor	561606	female
C84		560851	female	C171		561646	male
C85		560852	male	C171		561645	female
C85		560851	female	C172		561637	male
C86		560852	male	C172		561635	female
C86		560851	female	C193_plug		563589	male
C87	Lavatory	562581	male	C193_socket	RJB	563590	female
C87	Lavatory	562583	female	C194	{ServiceCmpt.}	563589	male
C91	RJB	562285	male	C194		563590	female
C91	RJB	562282	female	C222		562477	male
C92		561734	male	C222		562479	female
C92		561735	female	C223		563227	male

CONNECTORS LIST

No	Location	Part #	Gender	No	Location	Part #	Gender
C223		563614	female	C500		562069	male
C224		561637	male	C500		562070	female
C224		561636	female	C550		561476	male
C225		562650	male	C550		561477	female
C225		562649	female	C551		561476	male
C228		563227	male	C551		561477	female
C228		563614	female	C552		561476	male
C230	EngineCmpt.	562485	male	C552		561477	female
C230	EngineCmpt.	562486	female	C553		561476	male
C242	ServiceCmpt.	563347	male	C553		561477	female
C242	ServiceCmpt.	563180	female	C554		561476	male
C243	ServiceCmpt.	563347	male	C554		561477	female
C243	ServiceCmpt.	563180	female	C555		561476	male
C246	ServiceCmpt.	563090	male	C555		561477	female
C246	ServiceCmpt.	563091	female	C556		561476	male
C264		561637	male	C556		561477	female
C264		561636	female	C557		561476	male
C266		561640	male	C557		561477	female
C266		561639	female	C558		561476	male
C269	RHConsole	563090	male	C558		561477	female
C269	RHConsole	563091	female	C559		561476	male
C279		562477	male	C559		561477	female
C279		562479	female	C560		561476	male
C281		560852	male	C560		561477	female
C281		560851	female	C561		561476	male
C290		560852	male	C561		561477	female
C290		560851	female	C562		561476	male
C291		560852	male	C562		561477	female
C291		560851	female	C589	ServiceCmpt.	563088	male
C380	Dash	563180	male	C589	ServiceCmpt.	563089	female
C380	Dash	563347	female	C590	RHConsole	563088	male
C382		561577	male	C590	RHConsole	563089	female
C382		561605	female	CC1		563227	male
C397		562285	male	CC1		563614	female
C397		562282	female	CC2		563226	male
C400_plug		561782	male	CC2		563613	female
C400_socket		561781	female	CSo1		562581	male
C426	EngineCmpt	561782	male	CSo1		562583	female
C426	EngineCmpt	561781	female	CSo1S		562581	male
C463	EngineCmpt.	562570	female	CSo1S		562583	female
C463	EngineCmpt.	562571	male	CSo2		561643	male
C464	RJB	563180	male	CSo2		561641	female
C464	RJB	563347	female	CSo5		561847	male

CONNECTORS LIST

No	Location	Part #	Gender	No	Location	Part #	Gender
CS05		561862	female	L72	Rear_Vehicle	562155	male
CS07		561695	male	L73	Rear_Vehicle	562601	male
CS07		561694	female	L74	Rear_Vehicle	562155	male
CT2		563226	male	L75	Rear_Vehicle	562155	male
CT2		563613	female	L76	Rear_Engine_Door	562155	male
L1		562848	male	L77	Rear_Engine_Door	562601	male
L16	FrontRoof	562803	male	L78	Rear_Engine_Door	562601	male
L17		562803	male	L79	Rear_Engine_Door	562601	male
L18.A		561539	male	L80	Rear_Engine_Door	562601	male
L18.B		561539	male	L81.A	Rear_Engine_Door	562835	female
L21.A	FrontRoof	561608	female	L81.B	Rear_Engine_Door	562834	male
L21.B	FrontRoof	562286	male	L82		562348	female
L22.A	FrontRoof	561608	female	L83	Rear_Engine_Door	562348	female
L22.B	FrontRoof	562286	male	L84.A	RearRoof	561608	female
L23.A	FrontRoof	561608	female	L84.B	RearRoof	562286	male
L23.B	FrontRoof	562286	male	L85.A		561608	female
L24.A	FrontRoof	561608	female	L85.B	RearRoof	562286	male
L24.B	FrontRoof	562286	male	L86.A		561608	female
L25.A	FrontRoof	561608	female	L86.B	RearRoof	562286	male
L25.B	FrontRoof	562286	male	L87.A		561608	female
L26.A	FrontRoof	561608	female	L87.B	RearRoof	562286	male
L26.B	FrontRoof	562286	male	L88.A		561608	female
L27.A	FrontRoof	561608	female	L88.B	RearRoof	562286	male
L27.B	FrontRoof	562286	male	L89.A		561608	female
L57.A		563366	male	L89.B	RearRoof	562286	male
L57.B		562623	male	L90.A	RearRoof	561608	female
L58.A		562623	male	L90.B	RearRoof	562286	male
L58.B		562623	male	L91	EngineCmpt.	562755	male
L59.A	Outside_Front_RH	562623	male	L92	EngineCmpt.	562755	male
L59.B	Outside_Front_RH	562623	male	L93.A		563069	female
L60.A	Outside_Front_LH	562623	male	L93.B		563069	female
L60.B	Outside_Front_LH	562623	male	L94.A	EngineCmpt.	563069	female
L61		562601	male	L94.B	EngineCmpt.	563069	female
L62	Outside_Front_LH	562601	male	L95	Outside_Front_LH	562902	female
L63	Outside_Front_RH	562155	male	L96	Outside_Front_RH	562902	female
L64	Outside_Front_RH	562155	male	L97.A	Outside_Front_LH	563069	female
L65	Outside_Front_LH	562155	male	L97.B	Outside_Front_LH	563069	female
L66	Outside_Front_LH	562155	male	L98.A	Entrance_Door	563069	female
L67	3rdLuggCmpt.	562155	male	L98.B	Outside_Front_RH	563069	female
L68	3rdLuggCmpt.	562155	male	L173	EngineCmpt.	563268	male
L69	3rdLuggCmpt.	562155	male	L174	EngineCmpt.	563268	male
L70	3rdLuggCmpt.	562155	male	L176	5thLuggCmpt.	561247	male
L71	Rear Engine Door	562601	male	L177	5thLuggCmpt.	561247	male

CONNECTORS LIST

No	Location	Part #	Gender	No	Location	Part #	Gender
L178	3rdLuggCmpt.	561247	male	Mo16	FrontRoof	560900	female
L179	3rdLuggCmpt.	561247	male	Mo17		563626	male
L180	2ndLuggCmpt.	561247	male	Mo19	{ServiceCmpt.}	562474	male
L181	2ndLuggCmpt.	561247	male	Mo20	{ServiceCmpt.}	562474	male
L182	1stLuggCmpt.	561247	male	Mo22	RightHandConsole	561186	male
L183	1stLuggCmpt.	561247	male	Mo24	RightHandConsole	562348	female
L184	ServiceCmpt.	561247	male	Mo25	RightHandConsole	562348	female
L187		561690	male	Mo26		562076	male
L189	Outside_Front_RH	562069	male	Mo30		562076	male
L190	Outside_Front_LH	562069	male	Mo31		562076	male
L193.A	Dash	560488	female	Mo32		562076	male
L193.B	Dash	560488	female	Mo33		562076	male
L194.A	Dash	562019	female	Mo34		562076	male
L194.B	*opt*	560488	female	Mo35		562076	male
L195.A	Dash	560488	female	Mo36		562076	male
L195.B	Dash	560488	female	Mo37		562076	male
L199	EngineCmpt.	562471	male	Mo38		562076	male
L200	EngineCmpt.	562471	male	Mo39		562076	male
L203		561690	male	Mo40		561477	female
L205.A	Evap.Cmpt.	562485	male	Mo44		561477	female
L208	Outside_Front_LH	563088	male	Mo50		561782	male
L209	Outside_Front_RH	563088	male	Mo53		561248	female
L285		561247	male	Mo54		562474	male
L287		561247	male	Mo55.A		563626	male
L288		561247	male	Mo56		562076	male
L297.A		562835	female	Mo57.A		561477	female
L297.B		562834	male	Mo58.A		561477	female
L298.A		562835	female	MoSo1.A		561967	male
L298.B		562834	male	MOSO2.A		561967	male
L300		562155	male	Pot1.A	Dash	560488	female
L301		562155	male	Pot1.B	Dash	560488	female
L302		562155	male	Pot1.C	Dash	560488	female
L303		562155	male	R3	RJB	563409	male
L350		562350	male	R4	FJB	561183	male
Mo1	EngineCmpt.	561690	female	R9.A	Evap.Cmpt.	563409	male
Mo2	EngineCmpt.	561782	male	R10.A	Evap.Cmpt.	563409	male
Mo3	Dash	561667	female	R11		561183	male
Mo4	Dash	562076	male	R12.A	Evap.Cmpt.	563409	male
Mo5		561515	male	R16	Dash	561183	male
Mo7.A		563600	female	R17	RJB	563409	male
Mo8.A		563600	female	R18	FJB	562367	male
Mo12.A	Evap.Cmpt.	561690	male	R19	FJB	562367	male
Mo15	FrontRoof	560900	female	R22	{FJBVECF}	561183	male

CONNECTORS LIST

No	Location	Part #	Gender	No	Location	Part #	Gender
R23	RightHandConsole	561183	male	Se17.B		562291	female
R25	RJB	561183	male	Se17.C		562291	female
R29		563409	male	Se18.A		560815	female
R30	RJB	561183	male	Se18.B		560815	female
R31	RJB	561183	male	Se19.A		563677	male
R32	RJB	561183	male	Se19.A.A		563677	male
R33	RJB	561183	male	Se20	Evap.Cmpt.	562426	male
R34		562367	male	Se21	Dash	561248	female
R41	FJB	561183	male	Se23	EngineCmpt.	563159	male
R42	FJB	561183	male	Se24	EngineCmpt.	563159	male
R43	FJB	561183	male	Se25		561248	female
R44	FJB	561183	male	Se29		561566	female
R45	FJB	561183	male	Se32		563057	male
Res3	RJB	563590	female	Se33		562856	male
Res4.A	{RightHandConsole}	563590	female	Se34		563057	male
Res5	Dash	563590	female	Se35		563057	male
Res6	FJB	563590	female	Se36		563629	female
Res7.A		563590	female	Se37		641132	female
Res12.A		563590	female	Se38		641132	female
Res15		561782	male	Se39		641132	female
RSo1.A	SlideOut_Jct_Box	561626	female	Se40		641132	female
RSo1.B	SlideOut_Jct_Box	561626	female	Se45	{ServiceCmpt.}	562426	male
RSo2.A	SlideOut_Jct_Box	561626	female	Se46		562348	female
RSo2.B	SlideOut_Jct_Box	561626	female	Se50		562426	male
RSo3.A	SlideOut_Jct_Box	561626	female	Se52.A		560488	female
RSo3.B	SlideOut_Jct_Box	561626	female	Se52.B		560488	female
RSo4.A	SlideOut_Jct_Box	561626	female	Se60		563409	male
RSo4.B	SlideOut_Jct_Box	561626	female	Se63		641132	female
Se1	EngineCmpt.	562486	female	Se64		641132	female
Se2	EngineCmpt.	562486	female	Se65		564042	female
Se11.A		564460	female	Se66		564039	female
Se11.B		564460	female	Se67		563159	female
Se11.C		564460	female	Se68		563159	female
Se12	EngineCmpt.	561690	female	Se69		563159	female
Se13	EngineCmpt.	562350	male	Se73.A		562426	male
Se14.A	DriverArea	561782	male	SES01.A		563159	male
Se14.B	DriverArea	561781	female	SES02.A		562479	female
Se15.A		562651	female	SES03.A		562479	female
Se15.B		562651	female	SES05.A		562479	female
Se15.C		562651	female	SES06.A		562479	female
Se16.A		562651	female	So1		561566	female
Se16.B		562651	female	So3		641385	male
Se17.A		562291	female	So7	ServiceCmpt.	561566	male

CONNECTORS LIST

No	Location	Part #	Gender	No	Location	Part #	Gender
So8	ServiceCmpt.	563204	female	Sw44.B		562403	female
So9		561566	female	Sw45.A	5thLuggCmpt.	562403	female
So11.A		561566	female	Sw45.B	5thLuggCmpt.	562403	female
So13.A		563204	female	Sw46.A	5thLuggCmpt.	562403	female
So21		564046	female	Sw46.B	5thLuggCmpt.	562403	female
So22		564046	female	Sw47.A	3rdLuggCmpt.	562403	female
So23		564046	female	Sw47.B	3rdLuggCmpt.	562403	female
So24		564046	female	Sw48.A	3rdLuggCmpt.	562403	female
So26		562848	male	Sw48.B	3rdLuggCmpt.	562403	female
So27		564045	female	Sw49.A	2ndLuggCmpt.	562403	female
So28		641385	male	Sw49.B	2ndLuggCmpt.	562403	female
So29		641385	male	Sw50.A	2ndLuggCmpt.	562403	female
So30		641385	male	Sw50.B	2ndLuggCmpt.	562403	female
So31		641385	male	Sw51.A	1stLuggCmpt.	562403	female
So32		641385	male	Sw51.B	1stLuggCmpt.	562403	female
So36		561690	male	Sw52	1stLuggCmpt.	562403	female
So50		564046	female	Sw52.B	1stLuggCmpt.	562403	female
So51		564046	female	Sw58	EngineCmpt.	562581	male
So52		564045	female	Sw59		561566	female
SOSO4.A		641385	male	Sw60	EngineCmpt.	561566	female
Sw1.C258		561188	female	Sw63A		562763	male
Sw1.C259		561186	male	Sw64.A		560815	female
Sw2	Dash	562763	male	Sw64.B		560815	female
Sw3		562763	male	Sw81.A	Dash	562905	male
Sw4		562763	male	Sw81.B	Dash	562905	male
Sw6		562763	male	Sw83.A		560082	female
Sw7.A		562403	female	Sw83.B		560815	female
Sw7.B		562403	female	Sw83.C		560082	female
Sw11A		562763	male	Sw83.D		560815	female
Sw13	Dash	562763	male	Sw84		561566	female
Sw14		562763	male	Sw85	LeftHandConsole	562749	male
Sw16		562763	male	Sw99		562763	male
Sw17	Dash	562763	male	Sw102		562763	male
Sw18A		562763	male	Sw103A		562763	male
Sw21		562763	male	Sw104		562763	male
Sw23	Dash	562763	male	Sw106		561637	male
Sw24		562763	male	Sw107.A		561190	female
Sw34		562763	male	Sw107.B		561190	female
Sw35		562763	male	Sw107.C		561190	female
Sw38	LeftHandConsole	562763	male	Sw107.D		561190	female
Sw40	LeftHandConsole	561690	male	Sw107.E		561190	female
Sw41	LeftHandConsole	562749	male	Sw107.F		561190	female
Sw44.A		562403	female	Sw107.G		561190	female

CONNECTORS LIST

No	Location	Part #	Gender				
Sw107.H	{LeftHandConsole}	561190	female				
Sw107.J	{LeftHandConsole}	561190	female				
Sw107.K	{LeftHandConsole}	561190	female				
Sw108		562763	male				
Sw114.A		560079	female				
Sw114.B		560079	female				
Sw118.A		560079	female				
Sw118.B		560079	female				
Sw120		562237	female				
Sw122		562763	male				
Sw124		562957	male				
Sw128.A		562403	female				
Sw128.B		562403	female				
Sw134.A		560079	female				
Sw134.B		560079	female				
Sw152		562471	male				
SwSo1.A		561552	female				
SwSo2.A		561552	female				
VECF1	FJB	563186	male				
VECF2	FJB	563183	male				
VECF3		563185	male				
VECF4	FJB	563182	male				
VECF9		563448	male				
VECF10	FJB	563181	male				
VECF11	FJB	563184	male				
VECF12	FJB	563187	male				
VECR1	RJB	563716	male				
VECR2	RJB	563713	male				
VECR3	RJB	563715	male				
VECR4	RJB	563712	male				
VECR9	RJB	563718	male				
VECR10	RJB	563711	male				
VECR11	RJB	563714	male				
VECR12	RJB	563717	male				

DIODES LIST

No	Location	Part #	Function	Page
D1	FJB	561740	AccessoriesDiode	3.2
D2	FJB	561740	DiodeDriverLiq.Sol.	18.1
D4	RHConsole	561740	SuppressorDiodeLowerWiper2ndSpd	31.1
D5	RHConsole	561740	SuppressorDiodeLowerWiper1stSpd	31.1
D6	RJB	561740	SuppressorDiodeMasterrelay	3.1
D11	Evap.Cmpt.	561740	DiodePass.Liq.Sol	18.2
D12	RJBVECR	561740	*opt*	12.1
D15	RJB	561740	WakeUpDiode	3.2
D22	RJBVECR	561740	ServiceBrakeDiode	12.1
D25	Evap.Cmpt.	561740	SuppressorDiodeEvaporatorFan	18.2
D28	RJB	561740	SuppressorDiodeUnloaderLH	18.2
D29	RJB	561740	SuppressorDiodeUnloaderRH	18.2
D30	Evap.Cmpt.	561740	SuppressorDiodeWaterPump	18.2
D31	RJB	561740	SuppressorDiodeA/Cclutch	18.2
D32	LHConsole	563374	*opt*	30.1
D33	LHConsole	563374	*opt*	30.1
D36	RJB	561740	SuppressorDiodeRadiatorFanClutch2ndSpd	13.1
D37	RJB	561740	SuppressorDiodeRadiatorFanClutch1stSpd	13.1
D38	FrontCeiling	563375	SuppressorZenerDiodeSunVisorRH	30.1
D39	FrontCeiling	563375	SuppressorZenerDiodeSunVisorRH	30.1
D40	UpperFrontCap	563375	SuppressorZenerDiodeSunVisorLH	30.1
D41	UpperFrontCap	563375	SuppressorZenerDiodeSunVisorLH	30.1
D42	LHConsole	563374	SuppressorZenerDiodeDriverWdw	30.1
D43	LHConsole	563374	SuppressorZenerDiodeDriverWdw	30.1
D44	FJB	561740	IgnitionDiode	3.2
D45		561740	Diodesuppressor	9.1
D46	RJBVECR	561740	Diode	12.1
D50		561740	*opt*	28.1
D51		561740	*opt*	28.1
D56	Evap.Cmpt.	561740	*opt*	29.1
D66	ServiceCmpt.	561740	SuppressorDiodeWaterPump	18.1
D67		561740	*opt*	26.2
D68		561740	*opt*	26.2
D69		561740	*opt*	26.2
D70		561740	*opt*	26.2
D71	LHConsole	563374	*opt*	29.1
D72	LHConsole	563374	*opt*	29.1
D73	Evap.Cmpt.	561740	*opt*	29.1
D75		561740	ParkBrakeDiode	20.1
DSo1		563375		20.1
DSo2		563375	*opt*	20.1
DSo3		*opt*	*opt*	20.1
DSo4		*opt*	*opt*	20.1

DIODES LIST

No	Location	Part #	Function	Page					
D1	FJB	561740	AccessoriesDiode	3.2					
D2	FJB	561740	DiodeDriverLiq.Sol.	18.1					
D4	RHConsole	561740	SuppressorDiodeLowerWiper2ndSpd	31.1					
D5	RHConsole	561740	SuppressorDiodeLowerWiper1stSpd	31.1					
D6	RJB	561740	SuppressorDiodeMasterrelay	3.1					
D11	Evap.Cmpt.	561740	DiodePass.Liq.Sol	18.2					
D12		561740	*opt*	12.1					
D15	RJB	561740	WakeUpDiode	3.2					
D25	Evap.Cmpt.	561740	SuppressorDiodeEvaporatorFan	18.2					
D28	RJB	561740	SuppressorDiodeUnloaderLH	18.2					
D29	RJB	561740	SuppressorDiodeUnloaderRH	18.2					
D30	Evap.Cmpt.	561740	SuppressorDiodeWaterPump	18.2					
D31	RJB	561740	SuppressorDiodeA/CClutch	18.2					
D36	RJB	561740	SuppressorDiodeRadiatorFanClutch2ndSpd	13.1					
D37	RJB	561740	SuppressorDiodeRadiatorFanClutch1stSpd	13.1					
D44	FJB	561740	IgnitionDiode	3.2					
D50		561740	*opt*	28.1					
D51		561740	*opt*	28.1					
D56	Evap.Cmpt.	561740	*opt*	29.1					
D62	RJB	561740	*opt*	3.2					
D66	ServiceCmpt.	561740	SuppressorDiodeWaterPump	18.1					
D67		561740	*opt*	26.2					
D68		561740	*opt*	26.2					
D69		561740	*opt*	26.2					
D70		561740	*opt*	26.2					
D71	LHConsole	563374	*opt*	29.1					
D72	LHConsole	563374	*opt*	29.1					
D73	Evap.Cmpt.	561740	*opt*	29.1					
D75		561740	ParkBrakeDiode	20.1					
DS01		563375		20.1					
DS02		563375	*opt*	20.1					
DS03		*opt*	*opt*	20.1					
DS04		*opt*	*opt*	20.1					

DIODES LIST

No	Location	Part #	Function	Page					
D1	FJB	561740	AccessoriesDiode	3,2					
D2	FJB	561740	DiodeDriverLiq.Sol.	18,1					
D4	RHConsole	561740	SuppressorDiodeLowerWiper2ndSpd	31,1					
D5	RHConsole	561740	SuppressorDiodeLowerWiper1stSpd	31,1					
D6	RJB	561740	SuppressorDiodeMasterrelay	3,1					
D11	Evap.Cmpt.	561740	DiodePass.Liq.Sol	18,2					
D15	RJB	561740	WakeUpDiode	3,2					
D25	Evap.Cmpt.	561740	SuppressorDiodeEvaporatorFan	18,2					
D28	RJB	561740	SuppressorDiodeUnloaderLH	18,2					
D29	RJB	561740	SuppressorDiodeUnloaderRH	18,2					
D30	Evap.Cmpt.	561740	SuppressorDiodeWaterPump	18,2					
D31	RJB	561740	SuppressorDiodeA/CClutch	18,2					
D36	RJB	561740	SuppressorDiodeRadiatorFanClutch2ndSpd	13,1					
D37	RJB	561740	SuppressorDiodeRadiatorFanClutch1stSpd	13,1					
D44	FJB	561740	IgnitionDiode	3,2					
D51		561740	LevelLow_Diode	28,1					
D56	Evap.Cmpt.	561740	*opt*	29,1					
D62	RJB	561740	*opt*	3,2					
D66	ServiceCmpt.	561740	SuppressorDiodeWaterPump	18,1					
D67		561740	DiodeforCyclope	26,2					
D68		561740	DiodeforCyclope	26,2					
D69		561740	DiodeforCyclope	26,2					
D70		561740	DiodeforCyclope	26,2					
D71	LHConsole	563374	*opt*	29,1					
D72	LHConsole	563374	*opt*	29,1					
D73	Evap.Cmpt.	561740	*opt*	29,1					
D75		561740	ParkBrakeDiode	20,1					
D79		561740	LevelLow_Diode	28,1					
D80		561740	*opt*	28,1					
DS01		563375	Front_SlideOut	20,1					
DS02		563375	Front_SlideOut	20,1					
DS03		*opt*	Rear_SlideOut	20,1					
DS04		*opt*	Rear_SlideOut	20,1					

DIODES LIST

No	Location	Part #	Function	Page					
D1	FJB	561740	AccessoriesDiode	3,2					
D2	FJB	561740	DiodeDriverLiq.Sol.	18,1					
D4	RHConsole	561740	SuppressorDiodeLowerWiper2ndSpd	31,1					
D5	RHConsole	561740	SuppressorDiodeLowerWiper1stSpd	31,1					
D6	RJB	561740	SuppressorDiodeMasterrelay	3,1					
D11	Evap.Cmpt.	561740	DiodePass.Liq.Sol	18,2					
D15	RJB	561740	WakeUpDiode	3,2					
D24	Evap.Cmpt.	561740	SuppressorDiodeCondensorFans	18,2					
D25	Evap.Cmpt.	561740	SuppressorDiodeEvaporatorFan	18,2					
D28	RJB	561740	SuppressorDiodeUnloaderLH	18,2					
D29	RJB	561740	SuppressorDiodeUnloaderRH	18,2					
D30	Evap.Cmpt.	561740	SuppressorDiodeWaterPump	18,2					
D31	RJB	561740	SuppressorDiodeA/CClutch	18,2					
D36	RJB	561740	SuppressorDiodeRadiatorFanClutch2ndSpd	13,1					
D37	RJB	561740	SuppressorDiodeRadiatorFanClutch1stSpd	13,1					
D44	FJB	561740	IgnitionDiode	3,2					
D51		561740	LevelLow_Diode	28,1					
D56	Evap.Cmpt.	561740	*opt*	29,1					
D62	RJB	561740	*opt*	3,2					
D66	ServiceCmpt.	561740	SuppressorDiodeWaterPump	18,1					
D67		561740	DiodeforCyclope	26,2					
D68		561740	DiodeforCyclope	26,2					
D69		561740	DiodeforCyclope	26,2					
D70		561740	DiodeforCyclope	26,2					
D71	LHConsole	563374	*opt*	29,1					
D72	LHConsole	563374	*opt*	29,1					
D73	Evap.Cmpt.	561740	*opt*	29,1					
D75		561740	ParkBrakeDiode	20,1					
D79		561740	LevelLow_Diode	28,1					
D80		561740	*opt*	28,1					
DSo1		563375	Front_SlideOut	20,1					
DSo2		563375	Front_SlideOut	20,1					
DSo3		*opt*	Rear_SlideOut	20,1					
DSo4		*opt*	Rear_SlideOut	20,1					

RESISTORS LIST

No	Location	Part #	Function	Page
Res1	FJB	563205	ABS	16.1
Res3	*opt*	*opt*	*opt*	6.1
Res4	*opt*	*opt*	*opt*	6.1
Res5	*opt*	*opt*	*opt*	6.1
Res6	*opt*	*opt*	*opt*	6.1
Res7	*opt*	*opt*	*opt*	7.1
Res9	DashBoard	100R	CurrentLimitRes	10.1
Res12	*opt*	563593	*opt*	14.1
Res13	RJB	563154	ExitationresistorAlt1	3.2
Res14	RJB	563154	ExitationresistorAlt2	3.2
Res16		*opt*	*opt*	26.2
Res17		*opt*	*opt*	26.2

RESISTORS LIST

No	Location	Part #	Function	Page				
Res1	FJB	563205	*opt*	16.1				
Res3	*opt*	*opt*	*opt*	6.1				
Res4	*opt*	*opt*	*opt*	6.1				
Res5	*opt*	*opt*	*opt*	6.1				
Res6	*opt*	*opt*	*opt*	6.1				
Res7	Engine_Cmpt_	563593	*opt*	6.2				
Res9	DashBoard	100R	CurrentLimitRes	10.1				
Res12	Engine_Cmpt_	563593	*opt*	6.2				
Res13	RJB	563154	ExitationresistorAlt1	3.2				
Res14	RJB	563154	ExitationresistorAlt2	3.2				
Res16		*opt*	*opt*	26.2				
Res17		*opt*	*opt*	26.2				
Res21	FJB	563205	*opt*	16.1				
Res28	FJB	563205	*opt*	16.1				
Res16a		*opt*	330K	14.1				

RESISTORS LIST

No	Location	Part #	Function	Page					
Res1	FJB	563205	Dummy_Load	16,1					
Res3	*opt*	*opt*	TerminaisonResistor	6,1					
Res4	*opt*	*opt*	TerminaisonResistor	6,1					
Res5	*opt*	*opt*	TerminaisonResistor	6,1					
Res6	*opt*	*opt*	TerminaisonResistor	6,1					
Res7	Engine_Cmpt_	563593	*opt*	6,2					
Res9	DashBoard	100R	CurrentLimitRes	10,1					
Res12	Engine_Cmpt_	563593	*opt*	6,2					
Res13	RJB	563154	ExitationresistorAlt1	3,2					
Res14	RJB	563154	ExitationresistorAlt2	3,2					
Res15	*opt*	563587	ENDOFLINEDEVICE	38,1					
Res16		*opt*	CurrentLimitResistor	26,2					
Res17		*opt*	CurrentLimitResistor	26,2					
Res21	FJB	563205	Dummy_Load	16,1					
Res28	FJB	563205	Dummy_Load	16,1					
Res16a		*opt*	330K	14,1					

RELAYS LIST

No	Location	Part #	Function	Page
R1	RJB	562364	24vIgn&AccRelay	3.1
R3	RJB	563348	12vIgn&AccRelay	3.1
R8	FuseBoxRJB	563269	ServiceBrakeRelay	12.1
R9	Evap.Cmpt.	563348	CondensorRelay2stSpeed	18.2
R10	Evap.Cmpt.	563348	CondensorRelay1stSpeed	18.2
R11	RJBVECR	563332	ZFIgn	5.1
R12	Evap.Cmpt.	563348	EvaporatorRelay	18.2
R16	DashBoard	563332	AudibleFlasherRelay	26.1
R17		563348	12vRrWUpRelay	3.3
R18	FJB	561991	24vFrWUpRelay	3.3
R19	FJB	561991	12vFrWUpRelay	3.3
R21	RJB	563269	EmergencyCutoutRelay	3.2
R22			*opt*	4.1
R23	RHConsole	563332	LowerWiperRelay	31.1
R25	RJBVECR	563332	Ecmlgn	5.1
R30			*opt*	24.2
R31			*opt*	24.2
R32			*opt*	24.2
R33			*opt*	24.2
r1_10				21.1
r2_10				21.1
r3_10				21.1
r4_10				21.1
r5_10				21.1
r6_10				21.1
Reg	*opt*	*opt*	*opt*	3.2
RSo1		563445	*opt*	20.1
RSo2		563445	*opt*	20.1
RSo3		563445	*opt*	20.1
RSo4		563445	*opt*	20.1

RELAYS LIST

No	Location	Part #	Function	Page						
R1	RJB	562364	24vIgn&AccRelay	3.1						
R3	RJB	563348	12vIgn&AccRelay	3.1						
R9	Evap.Cmpt.	563348	CondensorRelay2stSpeed	18.2						
R10	Evap.Cmpt.	563348	CondensorRelay1stSpeed	18.2						
R11	RJBVECR	563332	ZFIgn	5.1						
R12	Evap.Cmpt.	563348	EvaporatorRelay	18.2						
R16	DashBoard	563332	AudibleFlasherRelay	26.1						
R17		563348	12vRrWUpRelay	3.3						
R18	FJB	561991	24vFrWUpRelay	3.3						
R19	FJB	561991	12vFrWUpRelay	3.3						
R21	RJB	563269	EmergencyCutoutRelay	3.2						
R22		563269	*opt*	3.3						
R23	RHConsole	563332	LowerWiperRelay	31.1						
R25	RJBVECR	563332	Ecmlgn	5.1						
R29	RJB	563348	Preheater_Volvo	14.2						
R30			*opt*	24.2						
R31			*opt*	24.2						
R32			*opt*	24.2						
R33			*opt*	24.2						
R34	FJB	561991	12v_Rr_Engine_Ecu	3.3						
R40		563332	Engine_Break_Relay	12.1						
r1_10				21.1						
r2_10				21.1						
r3_10				21.1						
r4_10				21.1						
r5_10				21.1						
r6_10				21.1						
RSo1		563445	*opt*	20.1						
RSo2		563445	*opt*	20.1						
RSo3		563445	*opt*	20.1						
RSo4		563445	*opt*	20.1						

RELAYS LIST

No	Location	Part #	Function	Page				
R1	RJB	562364	24vIgn&AccRelay	3,1				
R3	RJB	563348	12vIgn&AccRelay	3,1				
R4		563332	Cutoffwaterpreheater	38,1				
R9	Evap.Cmpt.	563348	CondensorRelay2stSpeed	18,2				
R10	Evap.Cmpt.	563348	CondensorRelay1stSpeed	18,2				
R11	RJBVECR	563332	ZFlgn	5,1				
R12	Evap.Cmpt.	563348	EvaporatorRelay	18,2				
R16	DashBoard	563332	AudibleFlasherRelay	26,1				
R17		563348	12vRrWUpRelay	3,3				
R18	FJB	561991	24vFrWUpRelay	3,3				
R19	FJB	561991	12vFrWUpRelay	3,3				
R21	RJB	563269	EmergencyCutoutRelay	3,2				
R22		563269	12_WakeUp_To_CPC	3,3				
R23	RHConsole	563332	LowerWiperRelay	31,1				
R25	RJBVECR	563332	Ecmlgn	5,1				
R29	RJB	563348	Preheater_Volvo	14,2				
R30			Luggage_Door_LockUnlock	24,2				
R31			Luggage_Door_LockUnlock	24,2				
R32			Luggage_Door_LockUnlock	24,2				
R33			Luggage_Door_LockUnlock	24,2				
R34	FJB	561991	12v_Rr_Engine_Ecu	3,3				
R41			SunVisor_Relay	32,1				
R42			SunVisor_Relay	32,1				
R43			SunVisor_Relay	32,1				
R44			SunVisor_Relay	32,1				
R45			SunVisor_Relay	32,1				
r1_10				21,1				
r2_10				21,1				
r3_10				21,1				
r4_10				21,1				
r5_10				21,1				
r6_10				21,1				
RSo1		563445	SlideOut_Relay	20,1				
RSo2		563445	SlideOut_Relay	20,1				
RSo3		563445	SlideOut_Relay	20,1				
RSo4		563445	SlideOut_Relay	20,1				

RELAYS LIST

No	Location	Part #	Function	Page					
R1	RJB	562364	24vIgn&AccRelay	3,1					
R3	RJB	563348	12vIgn&AccRelay	3,1					
R4		563332	Cutoffwaterpreheater	38,1					
R10	Evap.Cmpt.	563348	CondensorRelay1stSpeed	18,2					
R11	RJBVECR	563332	ZFIgn	5,1					
R12	Evap.Cmpt.	563348	EvaporatorRelay	18,2					
R16	DashBoard	563332	AudibleFlasherRelay	26,1					
R17		563348	12vRrWUpRelay	3,3					
R18	FJB	561991	24vFrWUpRelay	3,3					
R19	FJB	561991	12vFrWUpRelay	3,3					
R21	RJB	563269	EmergencyCutoutRelay	3,2					
R22		563269	12_WakeUp_To_CPC	3,3					
R23	RHConsole	563332	LowerWiperRelay	31,1					
R25	RJBVECR	563332	Ecmlgn	5,1					
R29	RJB	563348	Preheater_Volvo	14,2					
R30			Luggage_Door_LockUnlock	24,2					
R31			Luggage_Door_LockUnlock	24,2					
R32			Luggage_Door_LockUnlock	24,2					
R33			Luggage_Door_LockUnlock	24,2					
R34	FJB	561991	12v_Rr_Engine_Ecu	3,3					
R41			SunVisor_Relay	32,1					
R42			SunVisor_Relay	32,1					
R43			SunVisor_Relay	32,1					
R44			SunVisor_Relay	32,1					
R45			SunVisor_Relay	32,1					
r1_10				21,1					
r2_10				21,1					
r3_10				21,1					
r4_10				21,1					
r5_10				21,1					
r6_10				21,1					
RSo1		563445	SlideOut_Relay	20,1					
RSo2		563445	SlideOut_Relay	20,1					
RSo3		563445	SlideOut_Relay	20,1					
RSo4		563445	SlideOut_Relay	20,1					

FUSES LIST

No	Location	Part #	Function	Rating	Page
F1	FuseBoxFJB	563279	CecmPower	3amp	4.1
F2	FuseBoxFJB	563279	FrontStartMainSwitch	3amp	4.1
F3	FuseBoxFJB	563279	EnginePre-HeatH.W.+DrvLiq.Vlv	3amp	4.1
F4	FuseBoxFJB	563279	WirelessMicrophone	3amp	4.1
F5	FuseBoxFJB	563165	24vtoWUp	30amp	4.1
F6	FuseBoxFJB	563005	Custumer24VD	7.5amp	4.1
F7	FuseBoxFJB	563279	Abs+PreHeatController	3amp	4.1
F8	FuseBoxFJB	563279	AirHorn	3amp	4.1
F9	FuseBoxFJB	563284	SpareFuse	15amp	4.1
F10	FuseBoxFJB	563279	SpareFuse	3amp	4.1
F11	FuseBoxFJB	563279	SunVisor	3amp	4.1
F12	FuseBoxFJB	563282	PwrMuxModule	20amp	4.1
F13	FuseBoxFJB	563282	PwrMuxModule	20amp	4.1
F14	FuseBoxFJB	563284	Custumer	15amp	4.1
F15	FuseBoxFJB	563004	*opt*	2Amp	4.1
F16	FuseBoxFJB	563153	DefrosterUnit	25Amp	4.1
F17	FuseBoxFJB	563280	DestinationSign	5Amp	4.1
F18	FuseBoxFJB	563284	UpperWiper	15amp	4.1
F19	FuseBoxFJB	563279	Prodriver	3amp	4.1
F20	FuseBoxFJB	563005	WitnessLedPower	7.5amp	4.1
F21	FuseBoxFJB	563282	PwrMuxA44	20amp	4.1
F22	FuseBoxFJB	563279	SteeringCtrl	3amp	4.1
F23	FuseBoxFJB	563165	*opt*	30amp	4.1
F24	FuseBoxFJB	563005	Mirror	7.5amp	4.1
F25	FuseBoxFJB	563280	BackupCamera	5Amp	4.1
F26	FuseBoxFJB	563279	SpareFuse	3amp	4.1
F27	FuseBoxFJB	563284	Custumer	15amp	4.1
F28	FuseBoxFJB	563282	DriverWindow	20amp	4.1
F29	FuseBoxFJB	563279	ClusterandDDDR	3amp	4.1
F30	FuseBoxFJB	563284	PwrOutletandCigarLighter	15amp	4.1
F31	FuseBoxFJB	563279	KeylessModule	3amp	4.1
F32	FuseBoxFJB	563282	SpareFuse	20amp	4.1
F33	FuseBoxFJB	563165	12VDtoWakeUp	30amp	4.1
F34	FuseBoxFJB	563165	12VDtoWakeUp	30amp	4.1
F35	FuseBoxFJB	563283	12vPwrOutlet	10amp	4.1
F36	FuseBoxFJB	563279	PwrHvacandTTItModule	3amp	4.1
F37	FuseBoxFJB	563283	SpareFuse	10amp	4.1
F38	FuseBoxFJB	563283	SpareFuse	10amp	4.1
F39	FuseBoxFJB	563283	SpareFuse	10amp	4.1
F40	FuseBoxFJB	563284	SpareFuse	15amp	4.1
F41	FuseBoxFJB	563283	SpareFuse	10amp	4.1
F50	FuseBoxRJB	563284	EnginePre-Heat	15amp	5.1
F51	FuseBoxRJB	563284	EnginePre-Heat	25Amp	5.1

FUSES LIST

No	Location	Part #	Function	Rating	Page
F52	FuseBoxRJB	563284	SpareFuse	15amp	5.1
F53	FuseBoxRJB	563284	PwrMuxA54	15amp	5.1
F54	FuseBoxRJB	563153	Customer	25Amp	5.1
F55	FuseBoxRJB	563283	EmergencyLts	10amp	5.1
F56	FuseBoxRJB	563282	*opt*	20amp	5.1
F57	FuseBoxRJB	563283	IndirectLightingRH	10amp	5.1
F58	FuseBoxRJB	563282	*opt*	20amp	5.1
F59	FuseBoxRJB	563283	DirectLightingRH	10amp	5.1
F60	FuseBoxRJB	563282	Luggagedoorlock	20amp	5.1
F61	FuseBoxRJB	563282	Luggagedoorlock	20amp	5.1
F62	FuseBoxRJB	563283	LavatoryNightLight	10amp	5.1
F63	FuseBoxRJB	563283	EnginePre-Heat	10amp	5.1
F64	FuseBoxRJB	563283	Spare	10amp	5.1
F65	FuseBoxRJB	563165	PwrMuxModuleRJB	30amp	5.1
F66	FuseBoxRJB	563279	RadiatorFanClutch	3amp	5.1
F67	FuseBoxRJB	563153	PwrMuxA54	25Amp	5.1
F68	FuseBoxRJB	563153	PwmMuxA54	25Amp	5.1
F69	FuseBoxRJB	563279	R8Power	3amp	5.1
F70	FuseBoxRJB	563005	Customer24Vl	7.5amp	5.1
F71	FuseBoxRJB	563284	SpareFuse	15amp	5.1
F72	FuseBoxRJB	563153	PwrMuxA50	25Amp	5.1
F73	FuseBoxRJB	563282	SpareFuse	20amp	5.1
F74	FuseBoxRJB	563283	EcuEngineIgnition	10amp	5.1
F75	FuseBoxRJB	563283	EcuTransmissionIgn	10amp	5.1
F76	FuseBoxRJB	563283	Customer	10amp	5.1
F77	FuseBoxRJB	563283	EcuTransmissionWakeUp	10amp	5.1
F78	FuseBoxRJB	563284	EcuEngineWakeUp	15amp	5.1
F79	FuseBoxRJB	563284	EcuEngineWakeUp	15amp	5.1
F80	FuseBoxRJB	563284	PwrMuxA51	15amp	5.1
F81	FuseBoxRJB	563004	PwrOfRearSwitchBox	2Amp	5.1
F82	FuseBoxFJB	563284	LowerWiper	15amp	4.1
F83	FuseBoxFJB	563283	*opt*	10amp	4.1
F84	FuseBoxFJB	563284	Customer	15amp	4.1
F85	FuseBoxRJB	563283	SpareFuse	10amp	5.1
F86	FuseBoxRJB	563283	SpareFuse	10amp	5.1
F87	FuseBoxRJB	563282	TrailerPackage	20amp	5.1
F88	FuseBoxRJB	563282	Spare	20amp	5.1
F89	FuseBoxRJB	563282	SpareFuse	20amp	5.1
F90	FuseBoxRJB	563153	*opt*	25Amp	5.1
F91	FuseBoxRJB	563284	*opt*	15amp	5.1
F96	FuseBoxRJB	563282	*opt*	20amp	5.1
F98	FuseBoxRJB	563284	*opt*	15amp	5.1
F99	FuseBoxRJB	563284	*oot*	15amp	5.1

FUSES LIST

No	Location	Part #	Function	Rating	Page
F103		563004	*opt*	2Amp	11.1
F104	FuseBoxFJB	563284	*opt*	15amp	4.1
F105	FuseBoxFJB	563282	*opt*	20amp	4.1

FUSES LIST

No	Location	Part #	Function	Rating	Page
F1	FuseBoxFJB	563279	CecmPower	3amp	4.1
F2	FuseBoxFJB	563279	FrontStartMainSwitch	3amp	4.1
F3	FuseBoxFJB	563279	EnginePre-HeatH.W.+DrvLiq.Vlv	3amp	4.1
F4	FuseBoxFJB	563280	*opt*	5Amp	4.1
F5	FuseBoxFJB	563165	24vtoWUp	30amp	4.1
F6	FuseBoxFJB	563005	Custumer24VD	7.5amp	4.1
F7	FuseBoxFJB	563279	Abs+PreHeatController	3amp	4.1
F8	FuseBoxFJB	563279	AirHorn	3amp	4.1
F9	FuseBoxFJB	563284	SpareFuse	15amp	4.1
F10	FuseBoxFJB	563279	SpareFuse	3amp	4.1
F11	FuseBoxFJB	563279	SunVisor	3amp	4.1
F12	FuseBoxFJB	563282	PwrMuxModule	20amp	4.1
F13	FuseBoxFJB	563282	PwrMuxModule	20amp	4.1
F14	FuseBoxFJB	563284	Custumer	15amp	4.1
F15	FuseBoxFJB	563004	*opt*	2Amp	4.1
F16	FuseBoxFJB	563153	DefrosterUnit	25Amp	4.1
F17	FuseBoxFJB	563280	DestinationSign	5Amp	4.1
F18	FuseBoxFJB	563284	UpperWiper	15amp	4.1
F19	FuseBoxFJB	563279	Prodriver	3amp	4.1
F20	FuseBoxFJB	563005	WitnessLedPower	7.5amp	4.1
F21	FuseBoxFJB	563282	PwrMuxA44	20amp	4.1
F22	FuseBoxFJB	563279	SteeringCtrl	3amp	4.1
F23	FuseBoxFJB	563284	ABS	15amp	4.1
F24	FuseBoxFJB	563005	Mirror	7.5amp	4.1
F25	FuseBoxFJB	563280	BackupCamera	5Amp	4.1
F26	FuseBoxFJB	563279	SpareFuse	3amp	4.1
F27	FuseBoxFJB	563284	Custumer	15amp	4.1
F28	FuseBoxFJB	563282	DriverWindow	20amp	4.1
F29	FuseBoxFJB	563279	ClusterandDDDR	3amp	4.1
F30	FuseBoxFJB	563284	PwrOutletandCigarLighter	15amp	4.1
F31	FuseBoxFJB	563279	KeylessModule	3amp	4.1
F32	FuseBoxFJB	563282	SpareFuse	20amp	4.1
F33	FuseBoxFJB	563165	12VDtoWakeUp	30amp	4.1
F34	FuseBoxFJB	563165	12VDtoWakeUp	30amp	4.1
F35	FuseBoxFJB	563283	12vPwrOutlet	10amp	4.1
F36	FuseBoxFJB	563279	PwrHvacandTTItModule	3amp	4.1
F37	FuseBoxFJB	563283	SpareFuse	10amp	4.1
F38	FuseBoxFJB	563283	SpareFuse	10amp	4.1
F39	FuseBoxFJB	563283	SpareFuse	10amp	4.1
F40	FuseBoxFJB	563284	SpareFuse	15amp	4.1
F41	FuseBoxFJB	563283	SpareFuse	10amp	4.1
F50	FuseBoxRJB	563284	EnginePre-Heat	15amp	5.1
F51	FuseBoxRJB	563284	EnainePre-Heat	25Amp	5.1

FUSES LIST

No	Location	Part #	Function	Rating	Page
F52	FuseBoxRJB	563284	SpareFuse	15amp	5.1
F53	FuseBoxRJB	563284	PwrMuxA54	15amp	5.1
F54	FuseBoxRJB	563153	Customer	25Amp	5.1
F55	FuseBoxRJB	563283	EmergencyLts	10amp	5.1
F56	FuseBoxRJB	563282	*opt*	20amp	5.1
F57	FuseBoxRJB	563283	IndirectLightingRH	10amp	5.1
F58	FuseBoxRJB	563282	*opt*	20amp	5.1
F59	FuseBoxRJB	563283	DirectLightingRH	10amp	5.1
F60	FuseBoxRJB	563282	Luggagedoorlock	20amp	5.1
F61	FuseBoxRJB	563282	Luggagedoorlock	20amp	5.1
F62	FuseBoxRJB	563283	LavatoryNightLight	10amp	5.1
F63	FuseBoxRJB	563283	EnginePre-Heat	10amp	5.1
F64	FuseBoxRJB	563283	Spare	10amp	5.1
F65	FuseBoxRJB	563165	PwrMuxModuleRJB	30amp	5.1
F66	FuseBoxRJB	563279	RadiatorFanClutch	3amp	5.1
F67	FuseBoxRJB	563153	PwrMuxA54	25Amp	5.1
F68	FuseBoxRJB	563153	PwmMuxA54	25Amp	5.1
F69	FuseBoxRJB	563279	R8Power	3amp	5.1
F70	FuseBoxRJB	563005	Custumer24Vl	7.5amp	5.1
F71	FuseBoxRJB	563284	SpareFuse	15amp	5.1
F72	FuseBoxRJB	563153	PwrMuxA50	25Amp	5.1
F73	FuseBoxRJB	563282	SpareFuse	20amp	5.1
F74	FuseBoxRJB	563283	EcuEngineIgnition	10amp	5.1
F75	FuseBoxRJB	563283	EcuTransmissionIgn	10amp	5.1
F76	FuseBoxRJB	563283	Custumer	10amp	5.1
F77	FuseBoxRJB	563283	EcuTransmissionWakeUp	10amp	5.1
F78	FuseBoxRJB	563284	EcuEngineWakeUp	15amp	5.1
F79	FuseBoxRJB	563284	EcuEngineWakeUp	15amp	5.1
F80	FuseBoxRJB	563284	PwrMuxA51	15amp	5.1
F81	FuseBoxRJB	563004	PwrOfRearSwitchBox	2Amp	5.1
F82	FuseBoxFJB	563284	LowerWiper	15amp	4.1
F83	FuseBoxFJB	563283	*opt*	10amp	4.1
F84	FuseBoxFJB	563284	Customer	15amp	4.1
F85	FuseBoxRJB	563283	SpareFuse	10amp	5.1
F86	FuseBoxRJB	563283	SpareFuse	10amp	5.1
F87	FuseBoxRJB	563282	TrailerPackage	20amp	5.1
F88	FuseBoxRJB	563282	Spare	20amp	5.1
F89	FuseBoxRJB	563282	SpareFuse	20amp	5.1
F90	FuseBoxRJB	563153	*opt*	25Amp	5.1
F91	FuseBoxRJB	563284	*opt*	15amp	5.1
F96	FuseBoxRJB	563282	*opt*	20amp	5.1
F98	FuseBoxRJB	563284	*opt*	15amp	5.1
F99	FuseBoxRJB	563284	*oot*	15amp	5.1

FUSES LIST

No	Location	Part #	Function	Rating	Page
F103		563004	*opt*	2Amp	11.1
F104	FuseBoxFJB	563284	*opt*	15amp	4.1
F105	FuseBoxFJB	563282	*opt*	20amp	4.1
Fuse_ATO_1A_206486_150_1_150		562597		125A	14.2

	A	B	C	D	E	F
1	No	Location	Part #	Function	Rating	Page
2	F1	FuseBoxFJB	563279	CecmPower	3amp	4.1
3	F2	FuseBoxFJB	563279	FrontStartMainSwitch	3amp	4.1
4	F3	FuseBoxFJB	563279	EnginePre-HeatH.W.+DrvLiq.Vlv	3amp	4.1
5	F4	FuseBoxFJB	563280	*opt*	5Amp	4.1
6	F5	FuseBoxFJB	563165	24vtoWUp	30amp	4.1
7	F6	FuseBoxFJB	563005	Custumer24VD	7.5amp	4.1
8	F7	FuseBoxFJB	563279	Abs+PreHeatController	3amp	4.1
9	F8	FuseBoxFJB	563279	AirHorn	3amp	4.1
10	F9	FuseBoxFJB	563284	SpareFuse	15amp	4.1
11	F10	FuseBoxFJB	563279	SpareFuse	3amp	4.1
12	F11	FuseBoxFJB	563279	SunVisor	3amp	4.1
13	F12	FuseBoxFJB	563282	PwrMuxModule	20amp	4.1
14	F13	FuseBoxFJB	563282	PwrMuxModule	20amp	4.1
15	F14	FuseBoxFJB	563284	Custumer	15amp	4.1
16	F15	FuseBoxFJB	563004	*opt*	2Amp	4.1
17	F16	FuseBoxFJB	563153	DefrosterUnit	25Amp	4.1
18	F17	FuseBoxFJB	563280	DestinationSign	5Amp	4.1
19	F18	FuseBoxFJB	563284	UpperWiper	15amp	4.1
20	F19	FuseBoxFJB	563279	Prodriver	3amp	4.1
21	F20	FuseBoxFJB	563005	WitnessLedPower	7.5amp	4.1
22	F21	FuseBoxFJB	563282	PwrMuxA44	20amp	4.1
23	F22	FuseBoxFJB	563279	SteeringCtrl	3amp	4.1
24	F23	FuseBoxFJB	563284	ABS	15amp	4.1
25	F24	FuseBoxFJB	563005	Mirror	7.5amp	4.1
26	F25	FuseBoxFJB	563280	BackupCamera	5Amp	4.1
27	F26	FuseBoxFJB	563279	SpareFuse	3amp	4.1
28	F27	FuseBoxFJB	563284	Custumer	15amp	4.1
29	F28	FuseBoxFJB	563282	DriverWindow	20amp	4.1
30	F29	FuseBoxFJB	563279	ClusterandDDDR	3amp	4.1
31	F30	FuseBoxFJB	563284	PwrOutletandCigarLighter	15amp	4.1
32	F31	FuseBoxFJB	563279	KeylessModule	3amp	4.1
33	F32	FuseBoxFJB	563282	SpareFuse	20amp	4.1
34	F33	FuseBoxFJB	563165	12VDtoWakeUp	30amp	4.1
35	F34	FuseBoxFJB	563165	12VDtoWakeUp	30amp	4.1
36	F35	FuseBoxFJB	563283	12vPwrOutlet	10amp	4.1
37	F36	FuseBoxFJB	563279	PwrHvacandTTItModule	3amp	4.1
38	F37	FuseBoxFJB	563283	SpareFuse	10amp	4.1
39	F38	FuseBoxFJB	563283	SpareFuse	10amp	4.1
40	F39	FuseBoxFJB	563283	SpareFuse	10amp	4.1
41	F40	FuseBoxFJB	563284	SpareFuse	15amp	4.1
42	F41	FuseBoxFJB	563283	SpareFuse	10amp	4.1
43	F50	FuseBoxRJB	563284	EnginePre-Heat	15amp	5.1
44	F51	FuseBoxRJB	563284	EnginePre-Heat	25Amp	5.1

	A		B		C		D		E	F
1	No	Location	Part #	Function	Rating	Page				
2	F52	FuseBoxRJB	563284	SpareFuse	15amp	5.1				
3	F53	FuseBoxRJB	563284	PwrMuxA54	15amp	5.1				
4	F54	FuseBoxRJB	563153	Customer	25Amp	5.1				
5	F55	FuseBoxRJB	563283	EmergencyLts	10amp	5.1				
6	F56	FuseBoxRJB	563282	*opt*	20amp	5.1				
7	F57	FuseBoxRJB	563283	IndirectLightingRH	10amp	5.1				
8	F58	FuseBoxRJB	563282	*opt*	20amp	5.1				
9	F59	FuseBoxRJB	563283	DirectLightingRH	10amp	5.1				
10	F60	SEE CB60		Luggagedoorlock		5.1				
11	F61	SEE CB61		Luggagedoorlock		5.1				
12	F62	FuseBoxRJB	563283	LavatoryNightLight	10amp	5.1				
13	F63	FuseBoxRJB	563283	EnginePre-Heat	10amp	5.1				
14	F64	FuseBoxRJB	563283	Spare	10amp	5.1				
15	F65	FuseBoxRJB	563165	PwrMuxModuleRJB	30amp	5.1				
16	F66	FuseBoxRJB	563279	RadiatorFanClutch	3amp	5.1				
17	F67	FuseBoxRJB	563153	PwrMuxA54	25Amp	5.1				
18	F68	FuseBoxRJB	563153	PwmMuxA54	25Amp	5.1				
19	F69	FuseBoxRJB	563279	R8Power	3amp	5.1				
20	F70	FuseBoxRJB	563005	Customer24VI	7.5amp	5.1				
21	F71	FuseBoxRJB	563284	SpareFuse	15amp	5.1				
22	F72	FuseBoxRJB	563153	PwrMuxA50	25Amp	5.1				
23	F73	FuseBoxRJB	563282	SpareFuse	20amp	5.1				
24	F74	FuseBoxRJB	563283	EcuEngineIgnition	10amp	5.1				
25	F75	FuseBoxRJB	563283	EcuTransmissionIgn	10amp	5.1				
26	F76	FuseBoxRJB	563283	Customer	10amp	5.1				
27	F77	FuseBoxRJB	563283	EcuTransmissionWakeUp	10amp	5.1				
28	F78	FuseBoxRJB	563284	EcuEngineWakeUp	15amp	5.1				
29	F79	FuseBoxRJB	563284	EcuEngineWakeUp	15amp	5.1				
30	F80	FuseBoxRJB	563284	PwrMuxA51	15amp	5.1				
31	F81	FuseBoxRJB	563004	PwrOfRearSwitchBox	2Amp	5.1				
32	F82	FuseBoxFJB	563284	LowerWiper	15amp	4.1				
33	F83	FuseBoxFJB	563283	*opt*	10amp	4.1				
34	F84	FuseBoxFJB	563284	Customer	15amp	4.1				
35	F85	FuseBoxRJB	563283	SpareFuse	10amp	5.1				
36	F86	FuseBoxRJB	563283	SpareFuse	10amp	5.1				
37	F87	FuseBoxRJB	563282	TrailerPackage	20amp	5.1				
38	F88	FuseBoxRJB	563282	Spare	20amp	5.1				
39	F89	FuseBoxRJB	563282	SpareFuse	20amp	5.1				
40	F90	FuseBoxRJB	563153	*opt*	25Amp	5.1				
41	F91	FuseBoxRJB	563284	*opt*	15amp	5.1				
42	F96	FuseBoxRJB	563282	*opt*	20amp	5.1				
43	F98	FuseBoxRJB	563284	*opt*	15amp	5.1				
44	F99	FuseBoxRJB	563284	*opt*	15amp	5.1				

	A	B	C	D	E	F
1	No	Location	Part #	Function	Rating	Page
2	F103		563004	*opt*	2Amp	11.1
3	F104	FuseBoxFJB	563284	*opt*	15amp	4.1
4	F105	FuseBoxFJB	563282	*opt*	20amp	4.1
5	Fuse_ATO_1A_206486_150_1_150		562597		125A	14.2
6						
7						
8						
9						
10						
11						
12						
13						
14						
15						
16						
17						
18						
19						
20						
21						
22						
23						
24						
25						
26						
27						
28						
29						
30						
31						
32						
33						
34						
35						
36						
37						
38						
39						
40						
41						
42						
43						
44						

FUSES LIST

No	Location	Part #	Function	Rating	Page
F1	FuseBoxFJB	563279	CecmPower	3amp	4.1
F2	FuseBoxFJB	563279	FrontStartMainSwitch	3amp	4.1
F3	FuseBoxFJB	563279	EnginePre-HeatH.W.+DrvLiq.Vlv	3amp	4.1
F4	FuseBoxFJB	563280	*opt*	5Amp	4.1
F5	FuseBoxFJB	563165	24vtoWUp	30amp	4.1
F6	FuseBoxFJB	563005	Custumer24VD	7.5amp	4.1
F7	FuseBoxFJB	563279	Abs+PreHeatController	3amp	4.1
F8	FuseBoxFJB	563279	AirHorn	3amp	4.1
F9	FuseBoxFJB	563284	SpareFuse	15amp	4.1
F10	FuseBoxFJB	563279	SpareFuse	3amp	4.1
F11	FuseBoxFJB	563279	SunVisor	3amp	4.1
F12	FuseBoxFJB	563282	PwrMuxModule	20amp	4.1
F13	FuseBoxFJB	563282	PwrMuxModule	20amp	4.1
F14	FuseBoxFJB	563284	Custumer	15amp	4.1
F15	FuseBoxFJB	563004	*opt*	2Amp	4.1
F16	FuseBoxFJB	563153	DefrosterUnit	25Amp	4.1
F17	FuseBoxFJB	563280	DestinationSign	5Amp	4.1
F18	FuseBoxFJB	563284	UpperWiper	15amp	4.1
F19	FuseBoxFJB	563279	Prodriver	3amp	4.1
F20	FuseBoxFJB	563005	WitnessLedPower	7.5amp	4.1
F21	FuseBoxFJB	563282	PwrMuxA44	20amp	4.1
F22	FuseBoxFJB	563279	SteeringCtrl	3amp	4.1
F23	FuseBoxFJB	563284	ABS	15amp	4.1
F24	FuseBoxFJB	563005	Mirror	7.5amp	4.1
F25	FuseBoxFJB	563280	BackupCamera	5Amp	4.1
F26	FuseBoxFJB	563279	SpareFuse	3amp	4.1
F27	FuseBoxFJB	563284	Custumer	15amp	4.1
F28	FuseBoxFJB	563282	DriverWindow	20amp	4.1
F29	FuseBoxFJB	563279	ClusterandDDDR	3amp	4.1
F30	FuseBoxFJB	563284	PwrOutletandCigarLighter	15amp	4.1
F31	FuseBoxFJB	563279	KeylessModule	3amp	4.1
F32	FuseBoxFJB	563282	SpareFuse	20amp	4.1
F33	FuseBoxFJB	563165	12VDtoWakeUp	30amp	4.1
F34	FuseBoxFJB	563165	12VDtoWakeUp	30amp	4.1
F35	FuseBoxFJB	563283	12vPwrOutlet	10amp	4.1
F36	FuseBoxFJB	563279	PwrHvacandTTItModule	3amp	4.1
F37	FuseBoxFJB	563283	SpareFuse	10amp	4.1
F38	FuseBoxFJB	563283	SpareFuse	10amp	4.1
F39	FuseBoxFJB	563283	SpareFuse	10amp	4.1
F40	FuseBoxFJB	563284	SpareFuse	15amp	4.1
F41	FuseBoxFJB	563283	SpareFuse	10amp	4.1
F50	FuseBoxRJB	563284	EnginePre-Heat	15amp	5.1
F51	FuseBoxRJB	563284	EnainePre-Heat	25Amp	5.1

FUSES LIST

No	Location	Part #	Function	Rating	Page
F52	FuseBoxRJB	563284	SpareFuse	15amp	5.1
F53	FuseBoxRJB	563284	PwrMuxA54	15amp	5.1
F54	FuseBoxRJB	563153	Customer	25Amp	5.1
F55	FuseBoxRJB	563283	EmergencyLts	10amp	5.1
F56	FuseBoxRJB	563282	*opt*	20amp	5.1
F57	FuseBoxRJB	563283	IndirectLightingRH	10amp	5.1
F58	FuseBoxRJB	563282	*opt*	20amp	5.1
F59	FuseBoxRJB	563283	DirectLightingRH	10amp	5.1
F62	FuseBoxRJB	563283	LavatoryNightLight	10amp	5.1
F63	FuseBoxRJB	563283	EnginePre-Heat	10amp	5.1
F64	FuseBoxRJB	563283	Spare	10amp	5.1
F65	FuseBoxRJB	563165	PwrMuxModuleRJB	30amp	5.1
F66	FuseBoxRJB	563279	RadiatorFanClutch	3amp	5.1
F67	FuseBoxRJB	563153	PwrMuxA54	25Amp	5.1
F68	FuseBoxRJB	563153	PwmMuxA54	25Amp	5.1
F69	FuseBoxRJB	563279	R8Power	3amp	5.1
F70	FuseBoxRJB	563005	Customer24VI	7.5amp	5.1
F71	FuseBoxRJB	563284	SpareFuse	15amp	5.1
F72	FuseBoxRJB	563153	PwrMuxA50	25Amp	5.1
F73	FuseBoxRJB	563282	SpareFuse	20amp	5.1
F74	FuseBoxRJB	563283	EcuEngineIgnition	10amp	5.1
F75	FuseBoxRJB	563283	EcuTransmissionIgn	10amp	5.1
F76	FuseBoxRJB	563283	Customer	10amp	5.1
F77	FuseBoxRJB	563283	EcuTransmissionWakeUp	10amp	5.1
F78	FuseBoxRJB	563284	EcuEngineWakeUp	15amp	5.1
F79	FuseBoxRJB	563284	EcuEngineWakeUp	15amp	5.1
F80	FuseBoxRJB	563284	PwrMuxA51	15amp	5.1
F81	FuseBoxRJB	563004	PwrOfRearSwitchBox	2Amp	5.1
F83	FuseBoxFJB	563283	*opt*	10amp	4.1
F84	FuseBoxFJB	563284	Customer	15amp	4.1
F85	FuseBoxRJB	563283	SpareFuse	10amp	5.1
F86	FuseBoxRJB	563283	SpareFuse	10amp	5.1
F87	FuseBoxRJB	563282	TrailerPackage	20amp	5.1
F88	FuseBoxRJB	563282	Spare	20amp	5.1
F89	FuseBoxRJB	563282	SpareFuse	20amp	5.1
F90	FuseBoxRJB	563153	*opt*	25Amp	5.1
F91	FuseBoxRJB	563284	*opt*	15amp	5.1
F96	FuseBoxRJB	563282	*opt*	20amp	5.1
F98	FuseBoxRJB	563284	*opt*	15amp	5.1
F99	FuseBoxRJB	563284	*opt*	15amp	5.1
F103		563004	*opt*	2Amp	11.1
F104	FuseBoxFJB	563284	*opt*	15amp	4.1
F105	FuseBoxFJB	563282	*opt*	20amp	4.1

FUSES LIST

No	Location	Part #	Function	Rating	Page
Fuse_ATO_1A_206486_150_1_150		562597		125A	14.2

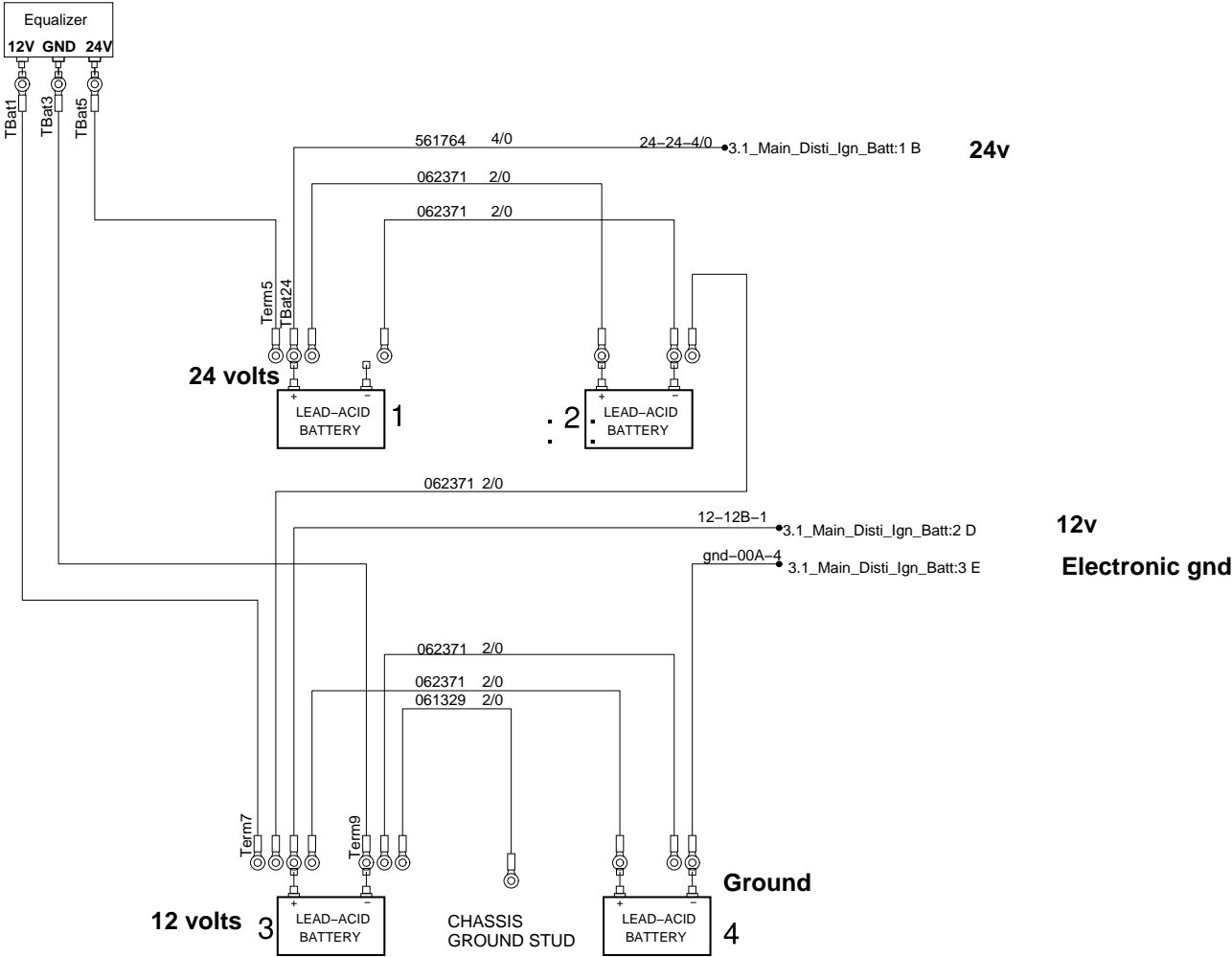
FUSES LIST

No	Location	Part #	Function	Rating	Page
F1	FuseBoxFJB	563279	CecmPower	3amp	4,1
F2	FuseBoxFJB	563279	FrontStartMainSwitch	3amp	4,1
F3	FuseBoxFJB	563279	EnginePre-HeatH.W.+DrvLiq.Vlv	3amp	4,1
F4	FuseBoxFJB	563280	Spare	5Amp	4,1
F5	FuseBoxFJB	563165	24vtoWUp	30amp	4,1
F6	FuseBoxFJB	563005	Custumer24VD	7.5amp	4,1
F7	FuseBoxFJB	563279	Abs+PreHeatController	3amp	4,1
F8	FuseBoxFJB	563279	AirHorn	3amp	4,1
F9	FuseBoxFJB	563284	Spare	15amp	4,1
F10	FuseBoxFJB	563279	SpareFuse	3amp	4,1
F11	FuseBoxFJB	563279	SunVisor	3amp	4,1
F12	FuseBoxFJB	563282	PwrMuxModule	20amp	4,1
F13	FuseBoxFJB	563282	PwrMuxModule	20amp	4,1
F14	FuseBoxFJB	563284	Custumer	15amp	4,1
F15	FuseBoxFJB	563004	Spare	2Amp	4,1
F16	FuseBoxFJB	563153	DefrosterUnit	25Amp	4,1
F17	FuseBoxFJB	563280	DestinationSign	5Amp	4,1
F18	FuseBoxFJB	563284	Spare	15amp	4,1
F19	FuseBoxFJB	563279	Prodriver	3amp	4,1
F20	FuseBoxFJB	563005	WitnessLedPower	7.5amp	4,1
F21	FuseBoxFJB	563282	PwrMuxA44	20amp	4,1
F22	FuseBoxFJB	563279	SteeringCtrl	3amp	4,1
F23	FuseBoxFJB	563284	ABS	15amp	4,1
F24	FuseBoxFJB	563005	Mirror	7.5amp	4,1
F25	FuseBoxFJB	563280	Spare	5Amp	4,1
F26	FuseBoxFJB	563279	SpareFuse	3amp	4,1
F27	FuseBoxFJB	563284	Custumer	15amp	4,1
F28	FuseBoxFJB	563282	DriverWindow	20amp	4,1
F29	FuseBoxFJB	563279	ClusterandDDDR	3amp	4,1
F30	FuseBoxFJB	563284	PwrOutletandCigarLighter	15amp	4,1
F31	FuseBoxFJB	563279	KeylessModule	3amp	4,1
F32	FuseBoxFJB	563282	Spare	20amp	4,1
F33	FuseBoxFJB	563165	12VDtoWakeUp	30amp	4,1
F34	FuseBoxFJB	563165	12VDtoWakeUp	30amp	4,1
F35	FuseBoxFJB	563283	12vPwrOutlet	10amp	4,1
F36	FuseBoxFJB	563279	PwrHvacandTTItModule	3amp	4,1
F37	FuseBoxFJB	563283	Spare	10amp	4,1
F38	FuseBoxFJB	563283	SpareFuse	10amp	4,1
F39	FuseBoxFJB	563283	Spare	10amp	4,1
F40	FuseBoxFJB	563284	SpareFuse	15amp	4,1
F41	FuseBoxFJB	563283	SpareFuse	10amp	4,1
F45		*opt*	FireProtectionSys.		3,3
F50	FuseBoxRJB	563284	EnginePre-Heat	15amp	5,1

FUSES LIST

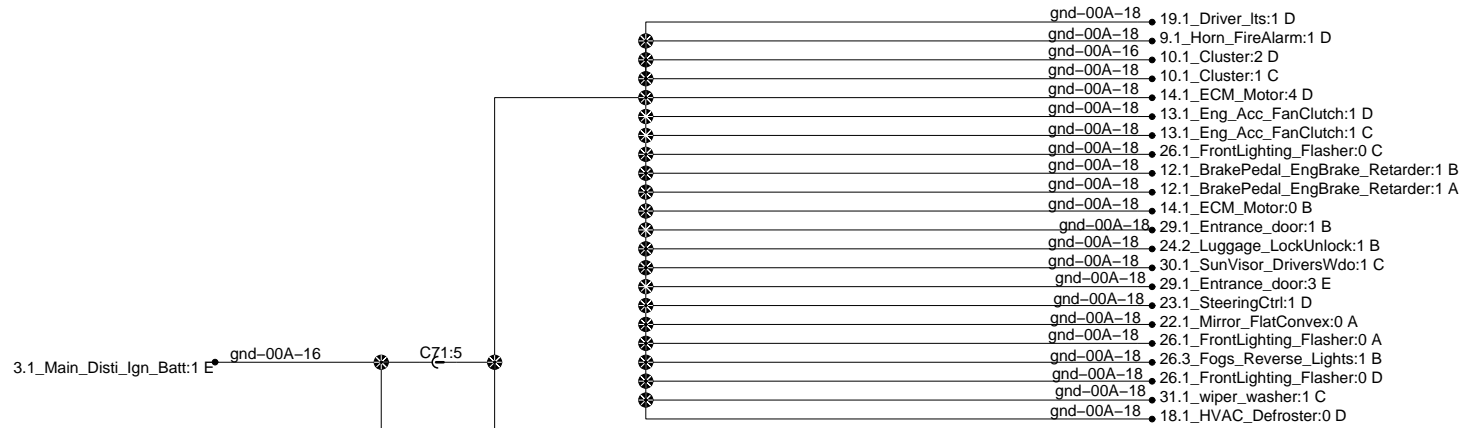
No	Location	Part #	Function	Rating	Page
F51	FuseBoxRJB	563284	EnginePre-Heat	25Amp	5,1
F52	FuseBoxRJB	563284	SpareFuse	15amp	5,1
F53	FuseBoxRJB	563284	PwrMuxA54	15amp	5,1
F54	FuseBoxRJB	563153	Customer	25Amp	5,1
F55	FuseBoxRJB	563283	Spare	10amp	5,1
F56	FuseBoxRJB	563282	Spare	20amp	5,1
F57	FuseBoxRJB	563283	Spare	10amp	5,1
F58	FuseBoxRJB	563282	*opt*	20amp	5,1
F59	FuseBoxRJB	563283	DirectLightingRH	10amp	5,1
F62	FuseBoxRJB	563283	Spare	10amp	5,1
F63	FuseBoxRJB	563283	EnginePre-Heat	10amp	5,1
F64	FuseBoxRJB	563283	Spare	10amp	5,1
F65	FuseBoxRJB	563165	PwrMuxModuleRJB	30amp	5,1
F66	FuseBoxRJB	563279	RadiatorFanClutch	3amp	5,1
F67	FuseBoxRJB	563153	PwrMuxA54	25Amp	5,1
F68	FuseBoxRJB	563153	PwmMuxA54	25Amp	5,1
F69	FuseBoxRJB	563279	R8Power	3amp	5,1
F70	FuseBoxRJB	563005	Customer24VI	7.5amp	5,1
F71	FuseBoxRJB	563284	Spare	15amp	5,1
F72	FuseBoxRJB	563153	PwrMuxA50	25Amp	5,1
F73	FuseBoxRJB	563282	Spare	20amp	5,1
F74	FuseBoxRJB	563283	EcuEngineIgnition	10amp	5,1
F75	FuseBoxRJB	563283	EcuTransmissionIgn	10amp	5,1
F76	FuseBoxRJB	563283	Customer	10amp	5,1
F77	FuseBoxRJB	563283	EcuTransmissionWakeUp	10amp	5,1
F78	FuseBoxRJB	563284	Spare	15amp	5,1
F79	FuseBoxRJB	563284	Spare	15amp	5,1
F80	FuseBoxRJB	563284	PwrMuxA51	15amp	5,1
F81	FuseBoxRJB	563004	PwrOfRearSwitchBox	2Amp	5,1
F83	FuseBoxFJB	563283	*opt*	10amp	4,1
F84	FuseBoxFJB	563284	Customer	15amp	4,1
F85	FuseBoxRJB	563283	SpareFuse	10amp	5,1
F86	FuseBoxRJB	563283	SpareFuse	10amp	5,1
F87	FuseBoxRJB	563282	TrailerPackage	20amp	5,1
F88	FuseBoxRJB	563282	Spare	20amp	5,1
F89	FuseBoxRJB	563282	Spare	20amp	5,1
F90	FuseBoxRJB	563153	Volvo_Engine	25Amp	5,1
F91	FuseBoxRJB	563284	Volvo_Engine	15amp	5,1
F96	FuseBoxRJB	563282	Spare	20amp	5,1
F98	FuseBoxRJB	563284	Spare	15amp	5,1
F99	FuseBoxRJB	563284	Volvo_Engine	15amp	5,1
F103	FJB	563004	Prodriver	2Amp	11,1
F104	FuseBoxFJB	563284	Spare	15amp	4,1

BATTERIES STANDARD



Ground Distribution

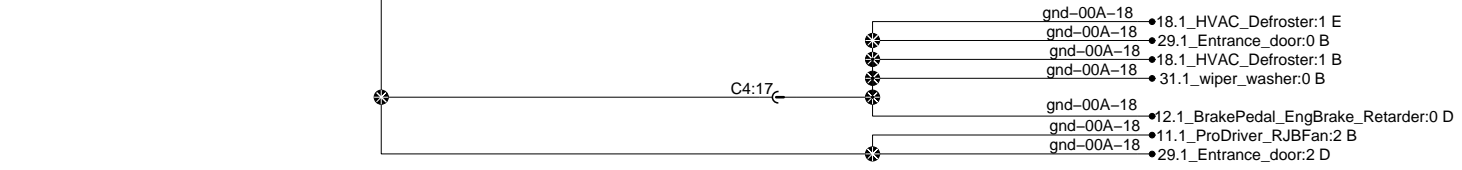
Electronic gnd to Dash harness



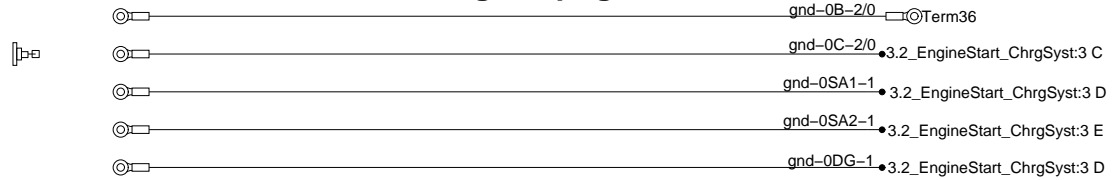
To LH console electronic gnd



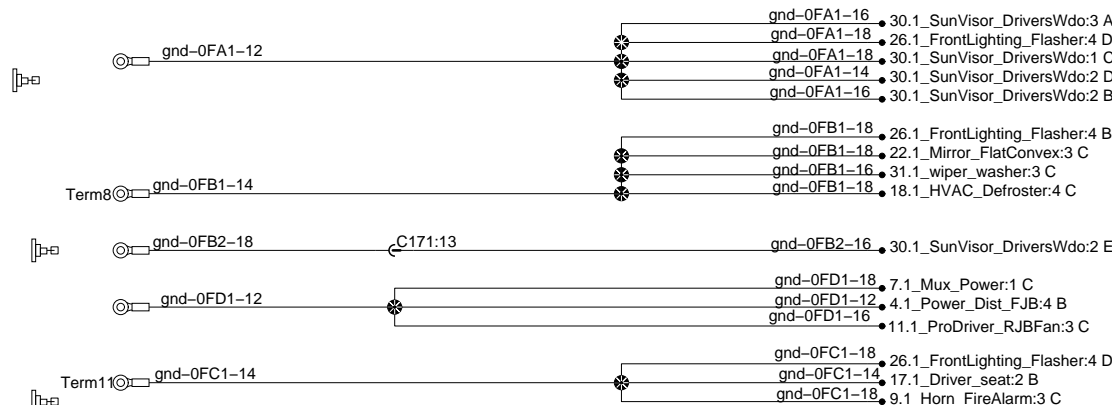
To RH console electronic gnd



Eng. cmpt gnd stud



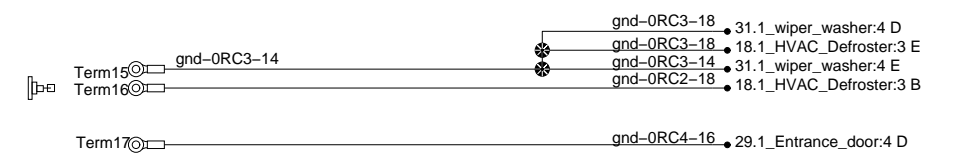
FJB gnd stud



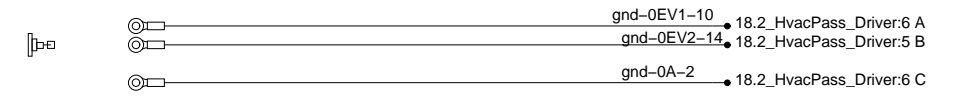
Front Top gnd stud



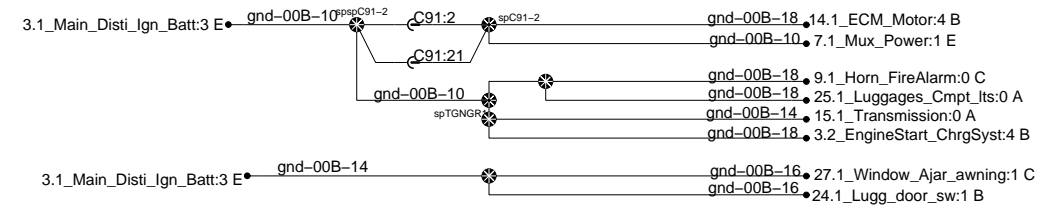
RH Console gnd stud



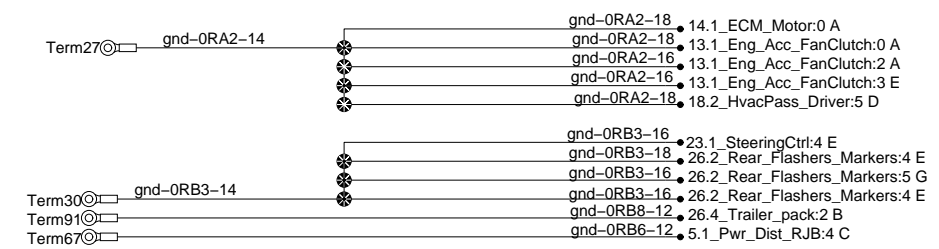
Evaporator cmpt gnd stud



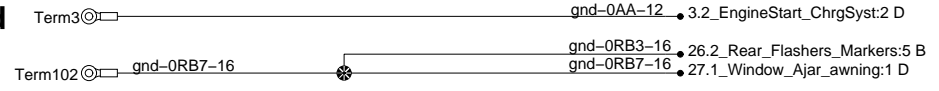
Engine Cmpt Electronic gnd



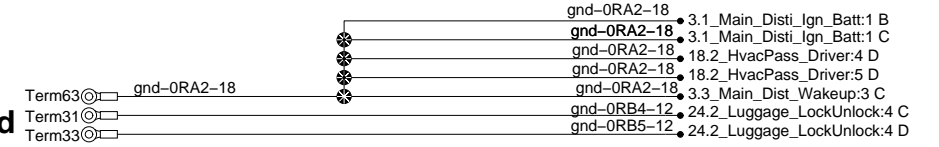
Eng Cmpt gnd stud



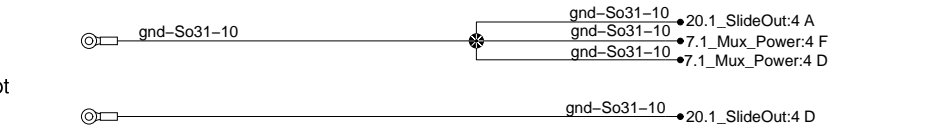
Electronic Gnd Eng. cmpt.



RJB gnd stud

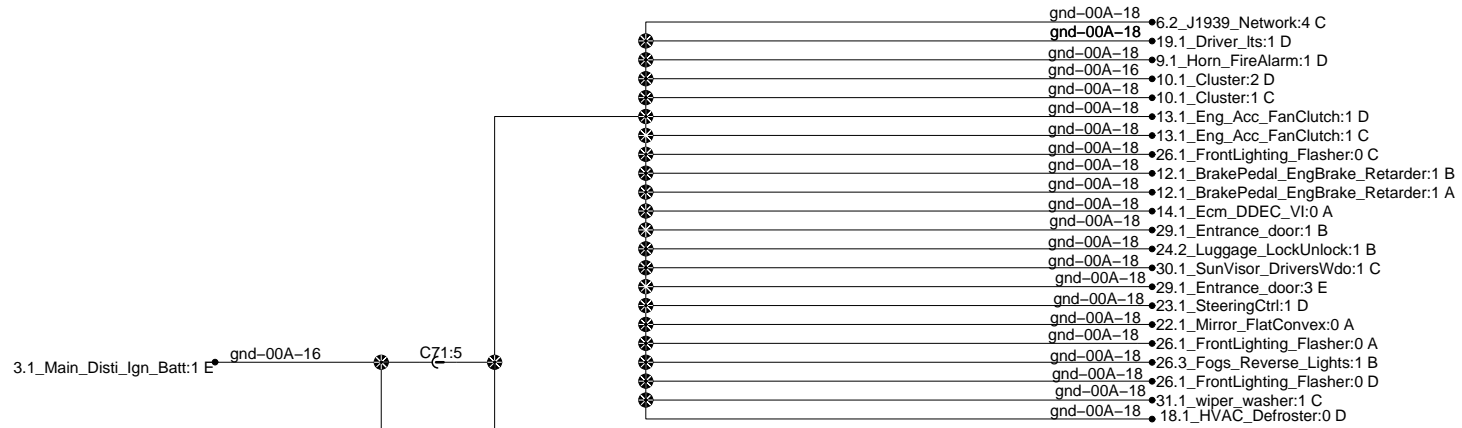


SlideOut Elec.Cmpt Chassis Gnd



Ground Distribution

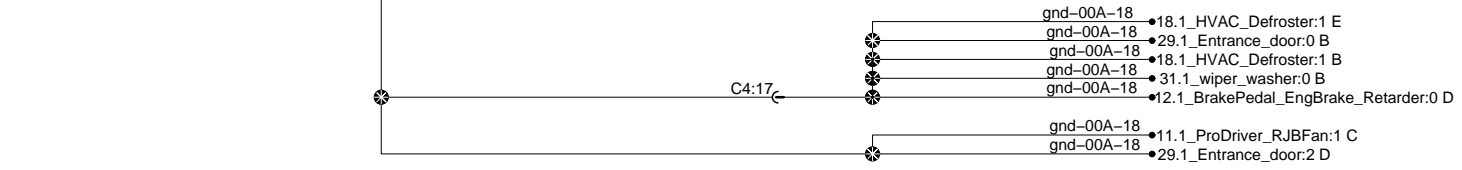
Electronic gnd to Dash harness



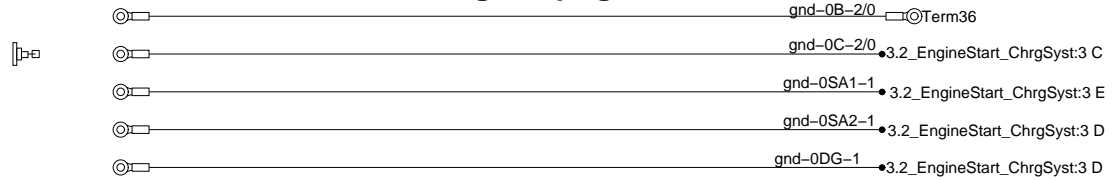
To LH console electronic gnd



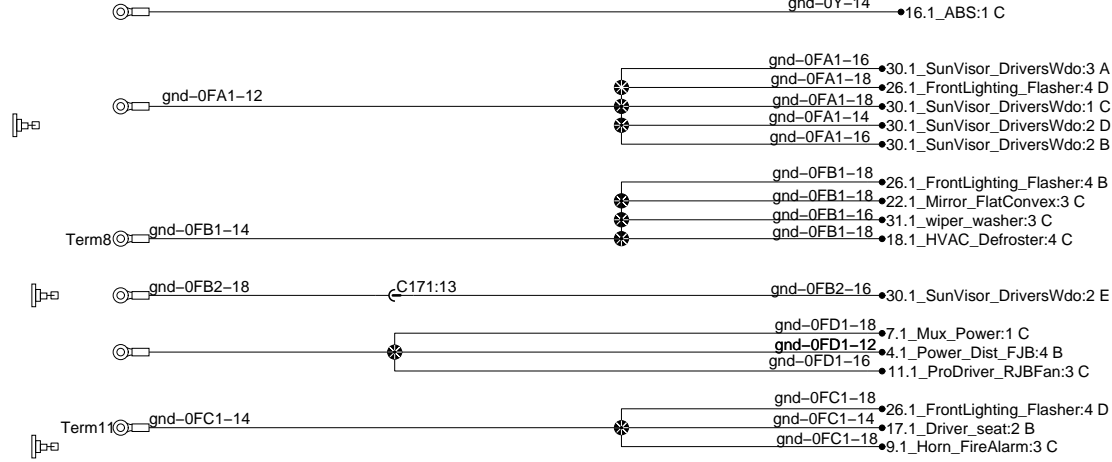
To RH console electronic gnd



Eng. cmpt gnd stud



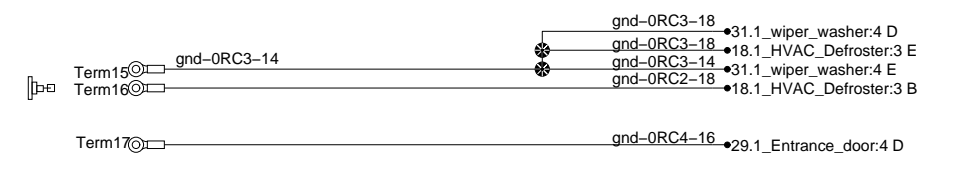
FJB gnd stud



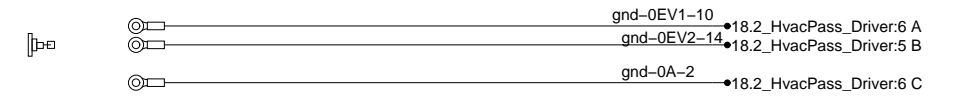
Front Top gnd stud



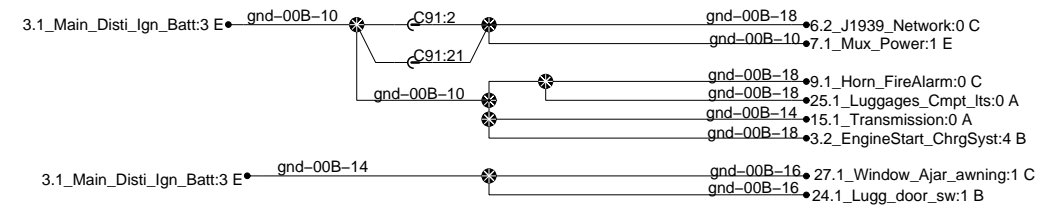
RH Console gnd stud



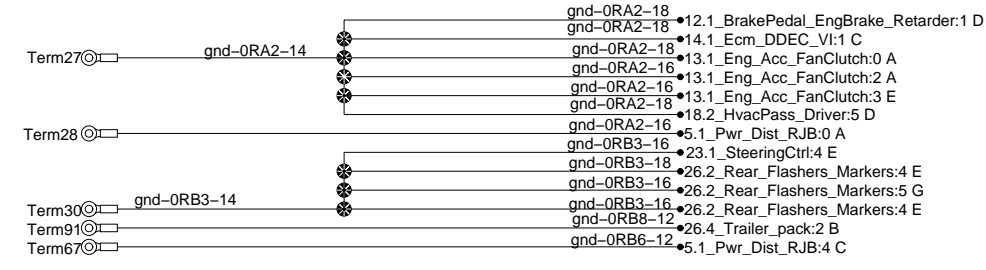
Evaporator cmpt gnd stud



Engine Cmpt Electronic gnd



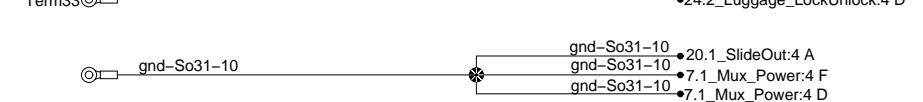
Eng Cmpt gnd stud



Electronic Gnd Eng. cmpt.



RJB gnd stud



SlideOut Elec.Cmpt Chassis Gnd



Rev:04

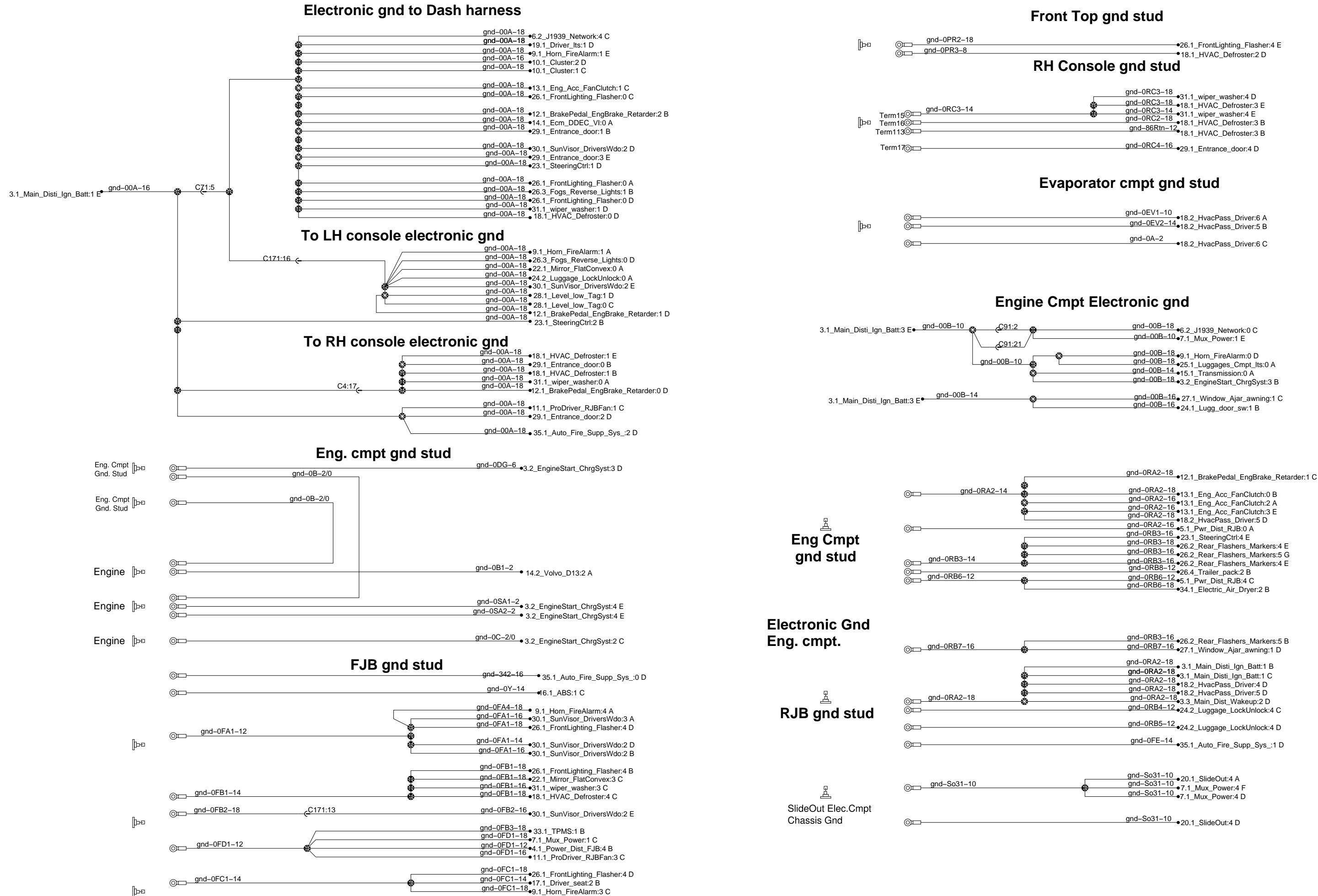
Page:2.1

No:D061080

WIRING DIAGRAM

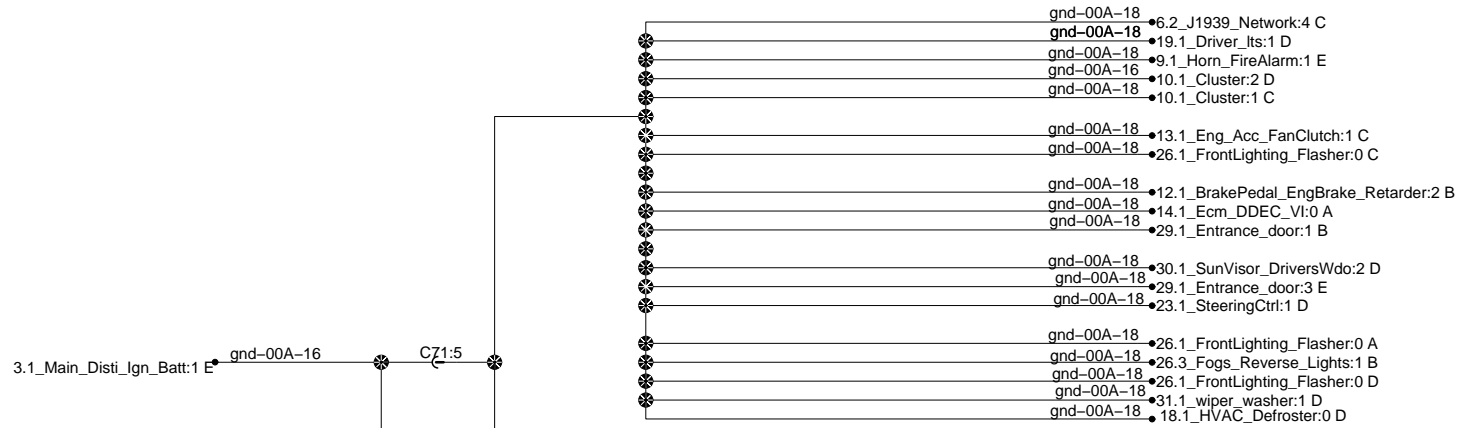
PREVOST®

Ground Distribution

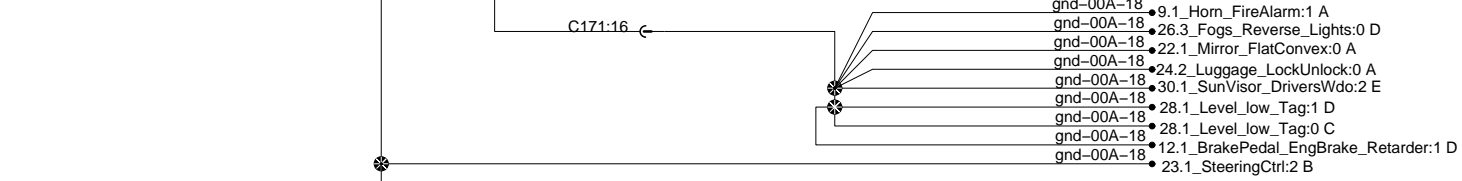


Ground Distribution

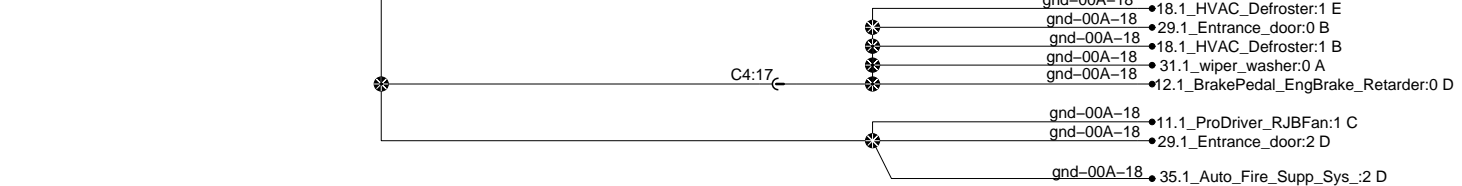
Electronic gnd to Dash harness



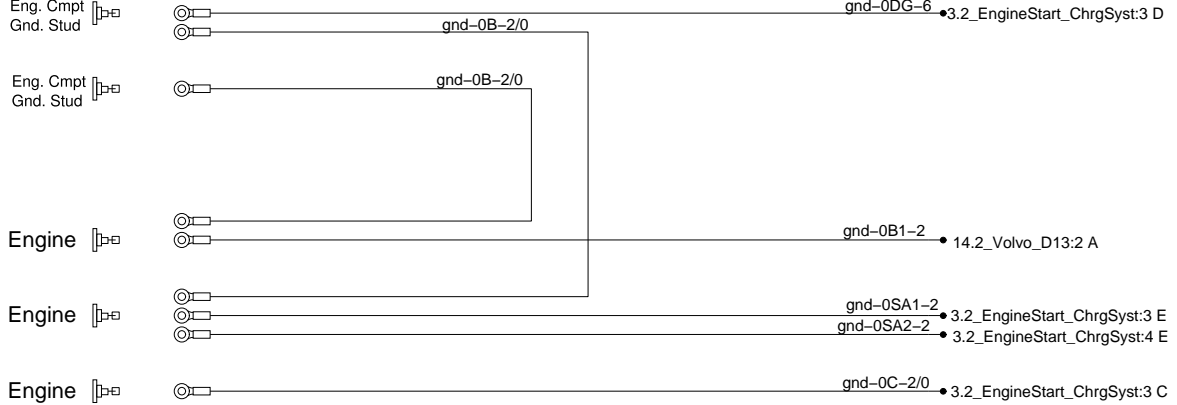
To LH console electronic gnd



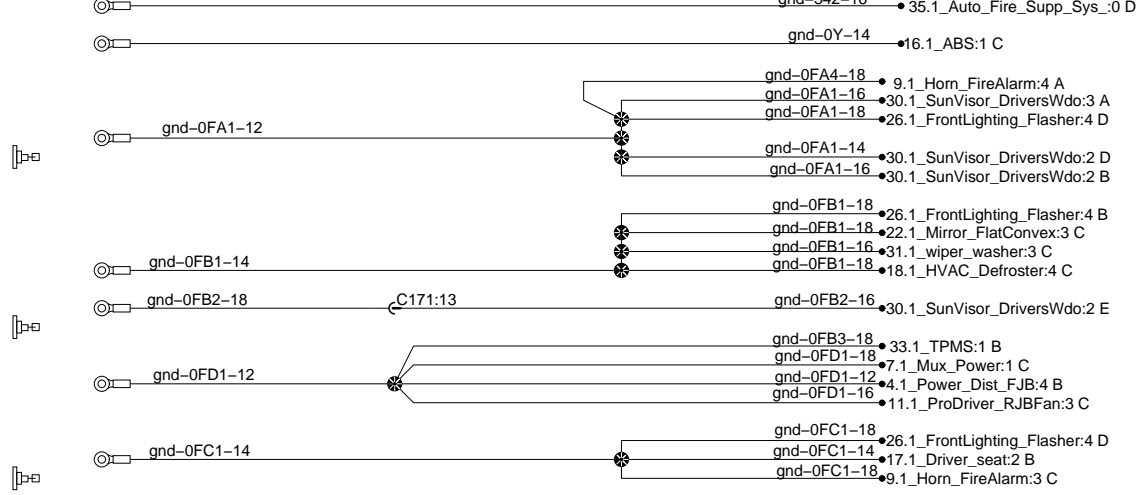
To RH console electronic gnd



Eng. cmpt gnd stud



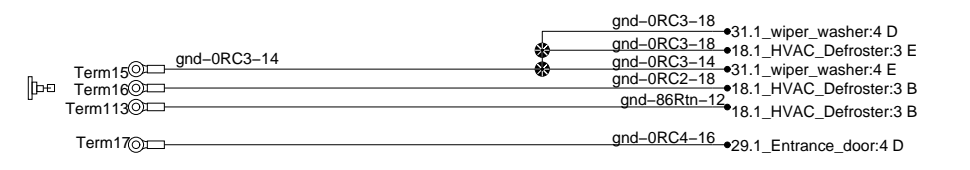
FJB gnd stud



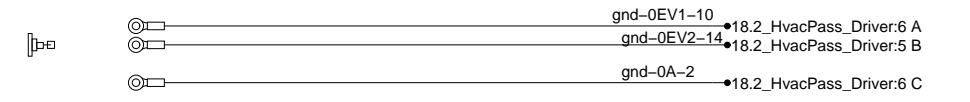
Front Top gnd stud



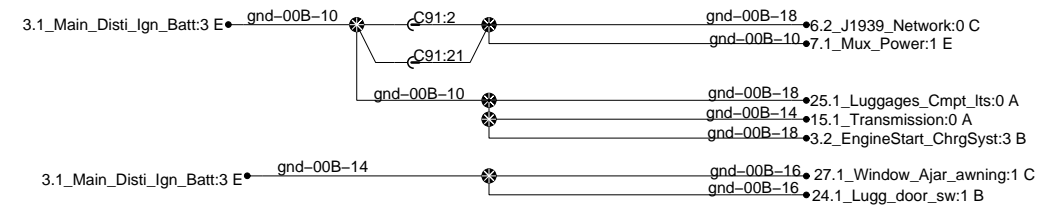
RH Console gnd stud



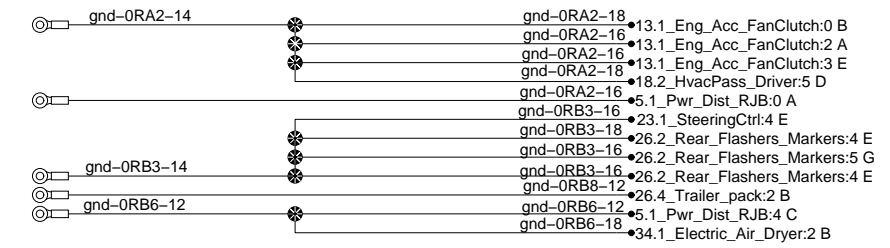
Evaporator cmpt gnd stud



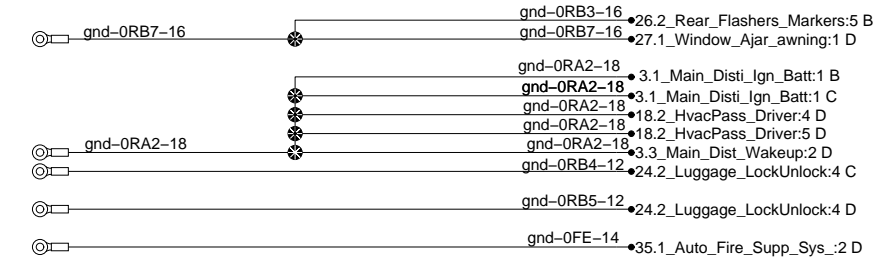
Engine Cmpt Electronic gnd



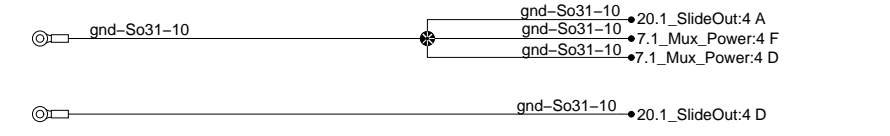
Eng Cmpt gnd stud



Electronic Gnd Eng. cmpt.



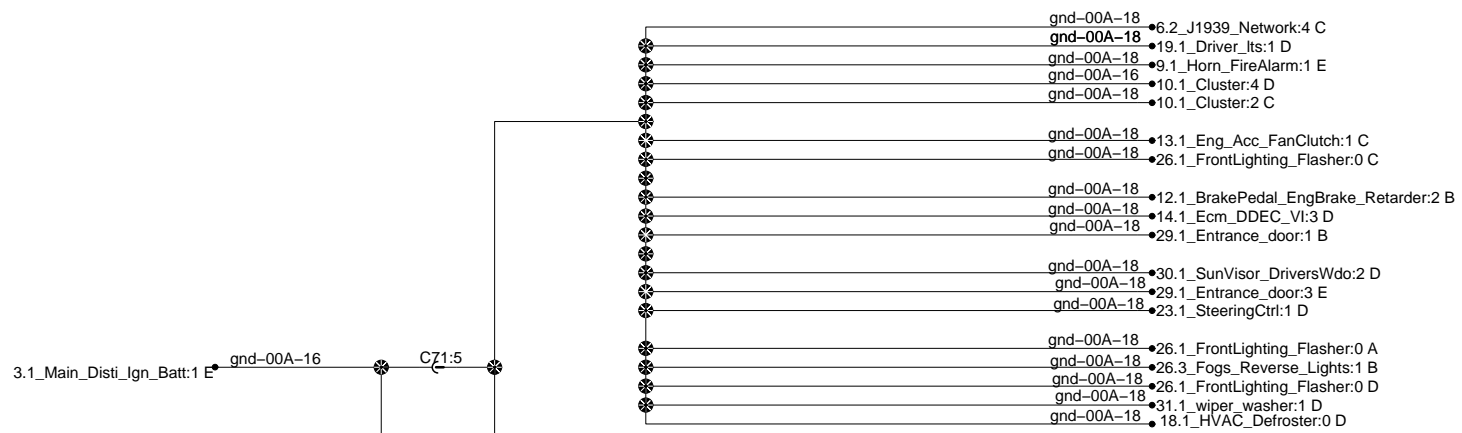
RJB gnd stud



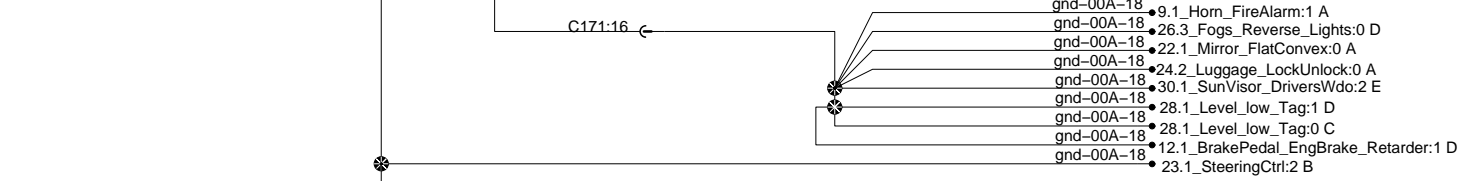
SlideOut Elec.Cmpt Chassis Gnd

Ground Distribution

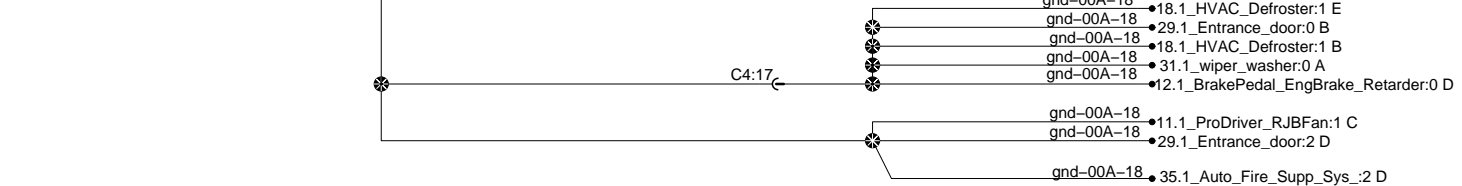
Electronic gnd to Dash harness



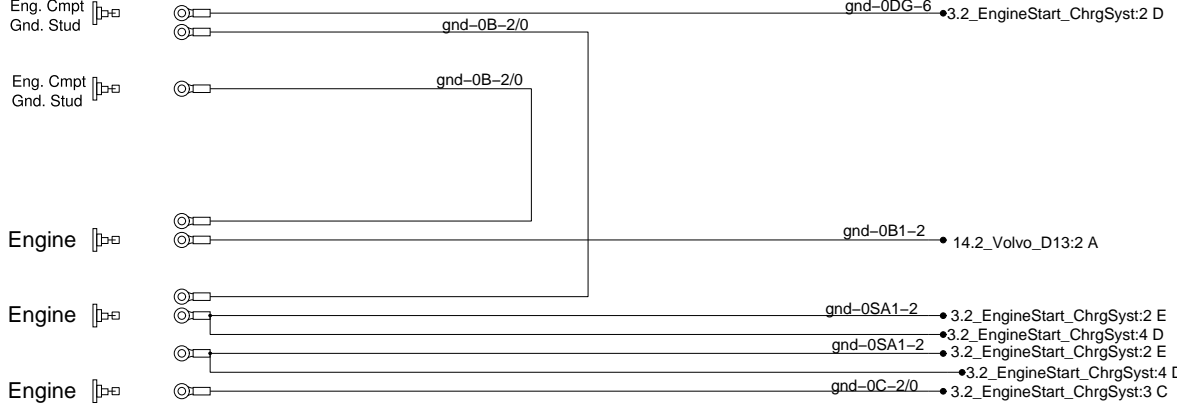
To LH console electronic gnd



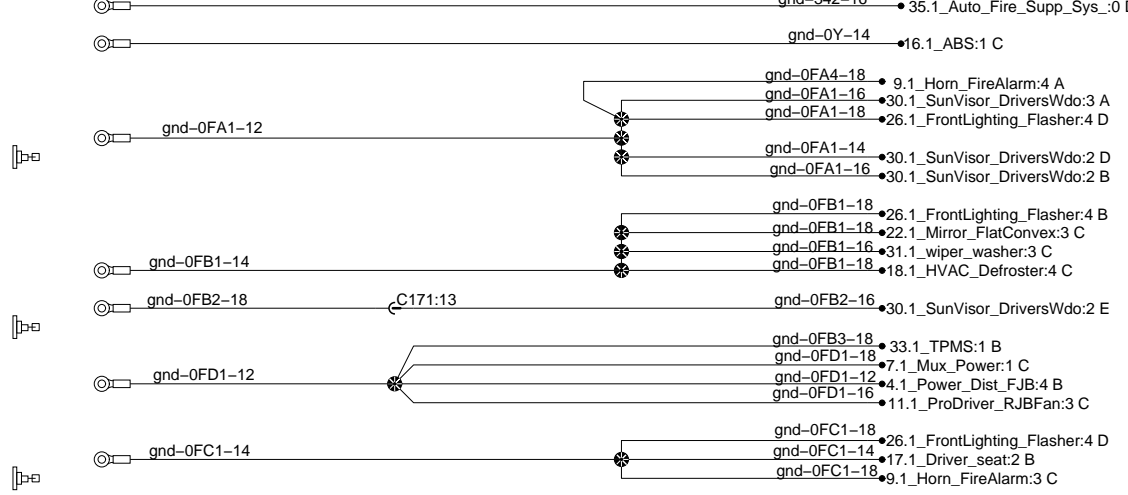
To RH console electronic gnd



Eng. cmpt gnd stud



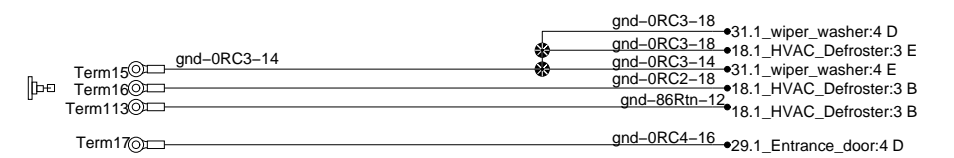
FJB gnd stud



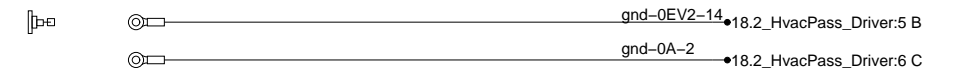
Front Top gnd stud



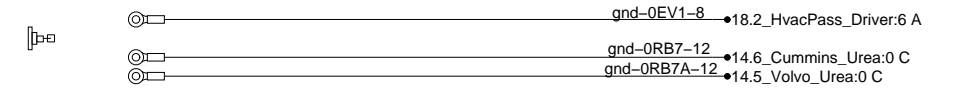
RH Console gnd stud



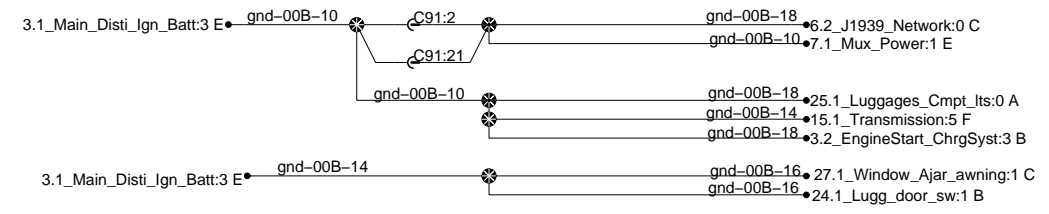
Evaporator cmpt gnd stud



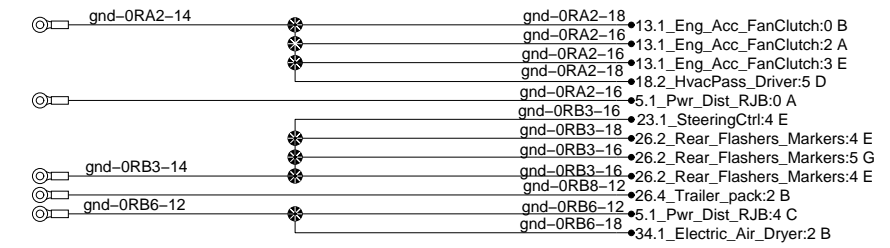
Condensor cmpt gnd stud



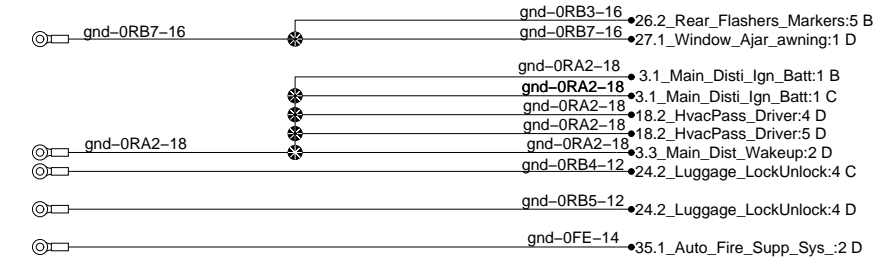
Engine Cmpt Electronic gnd



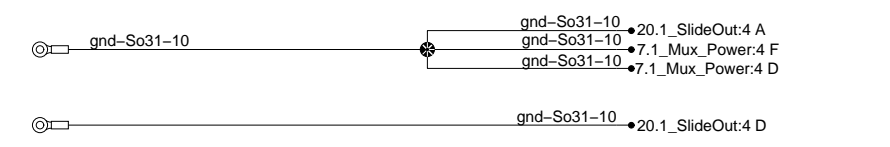
Eng Cmpt gnd stud



Electronic Gnd Eng. cmpt.



RJB gnd stud

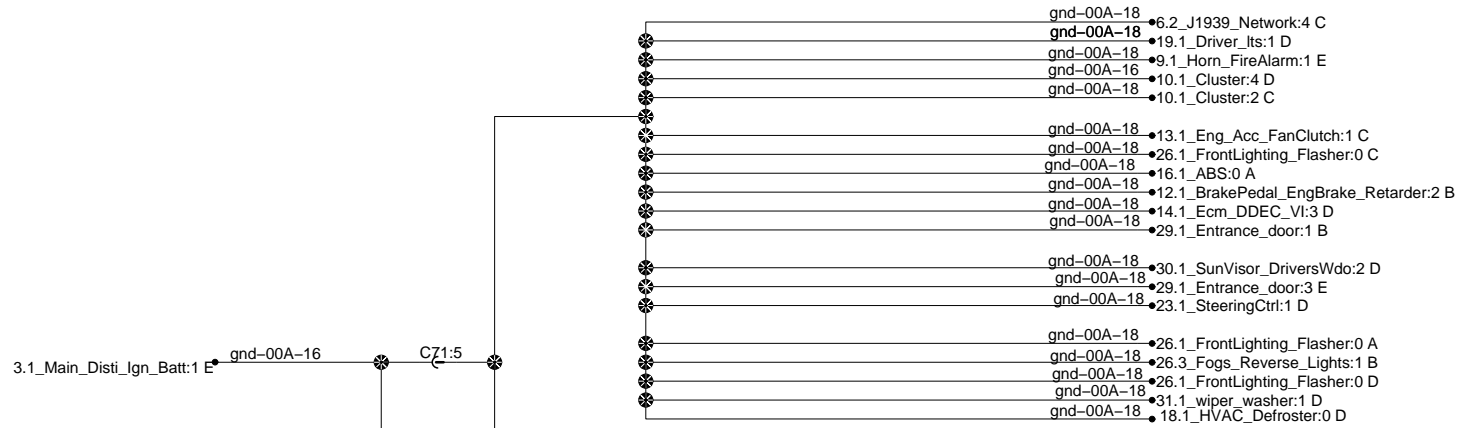


SlideOut Elec.Cmpt Chassis Gnd

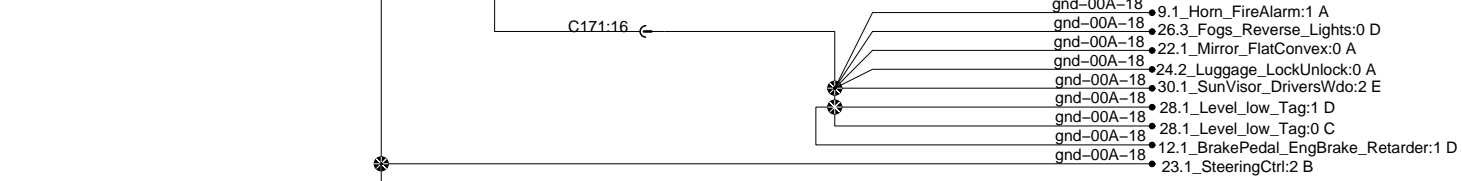


Ground Distribution

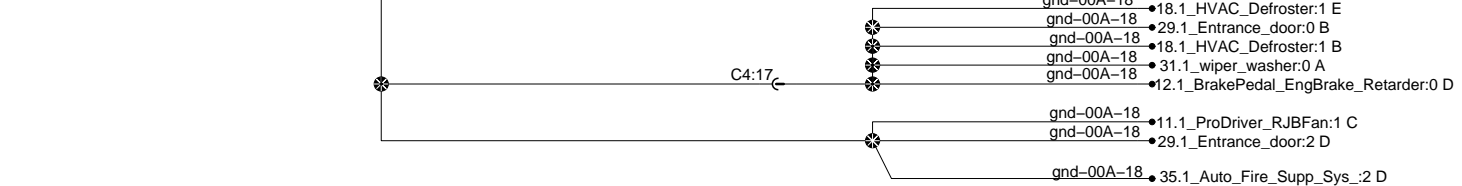
Electronic gnd to Dash harness



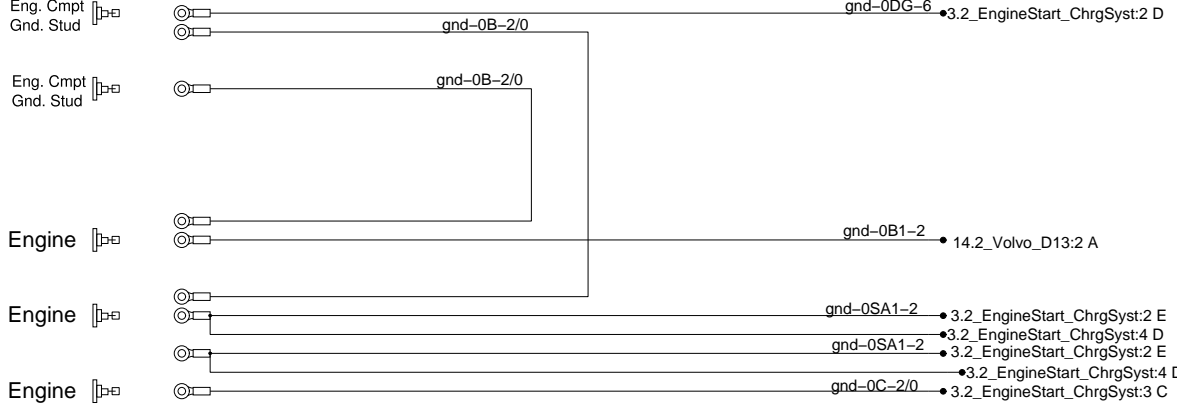
To LH console electronic gnd



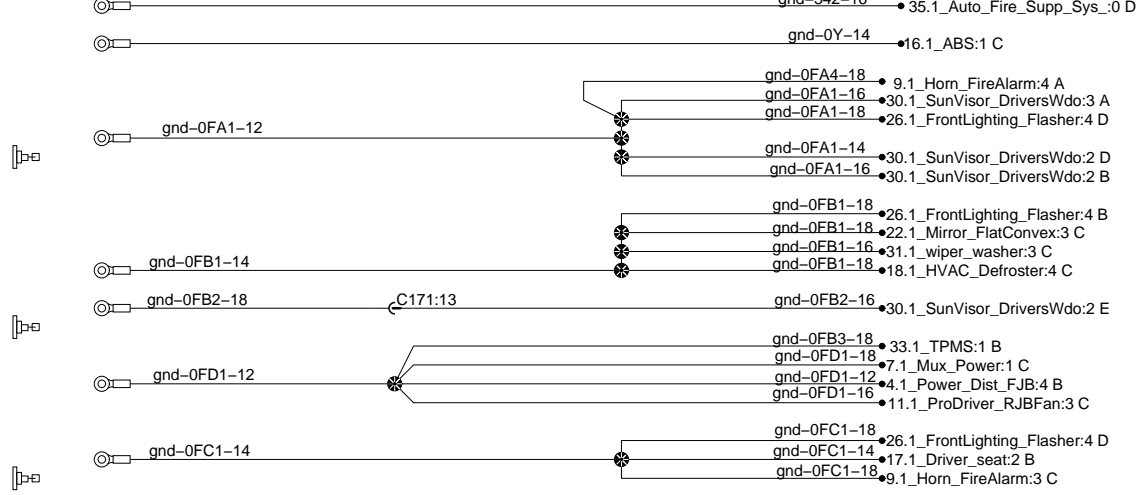
To RH console electronic gnd



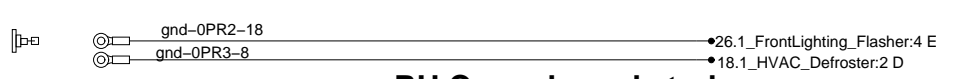
Eng. cmpt gnd stud



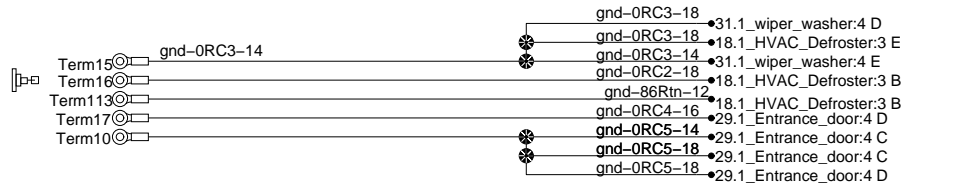
FJB gnd stud



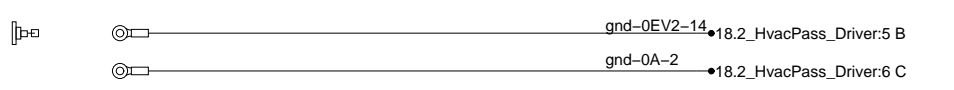
Front Top gnd stud



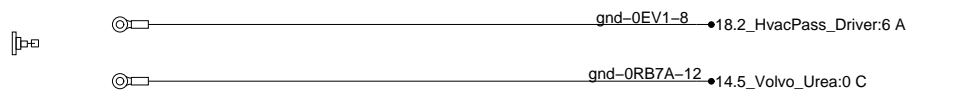
RH Console gnd stud



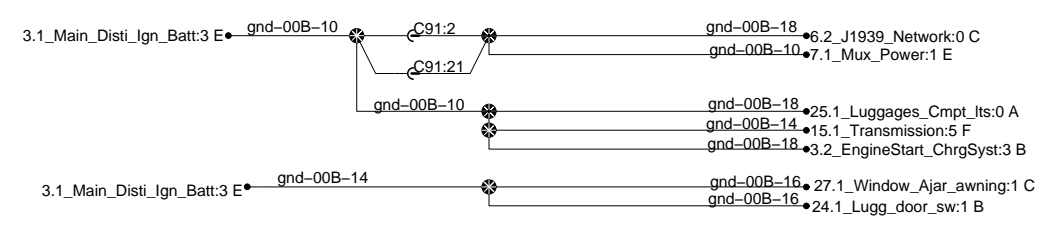
Evaporator cmpt gnd stud



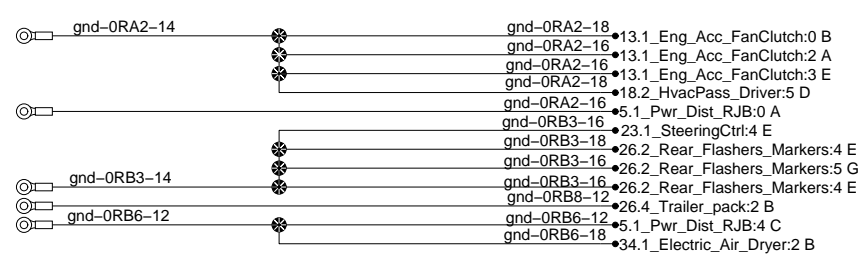
Condensor cmpt gnd stud



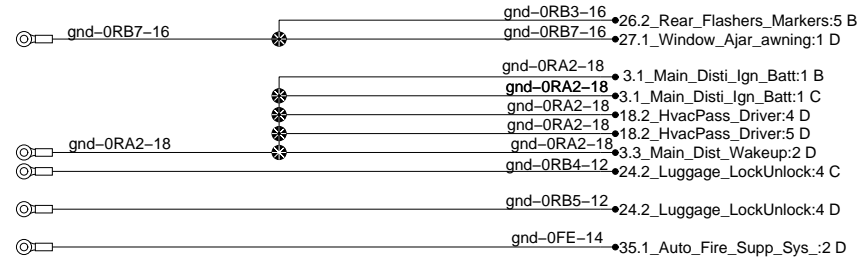
Engine Cmpt Electronic gnd



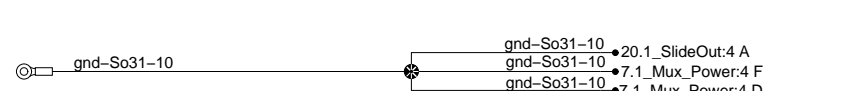
Eng Cmpt gnd stud



Electronic Gnd Eng. cmpt.



RJB gnd stud

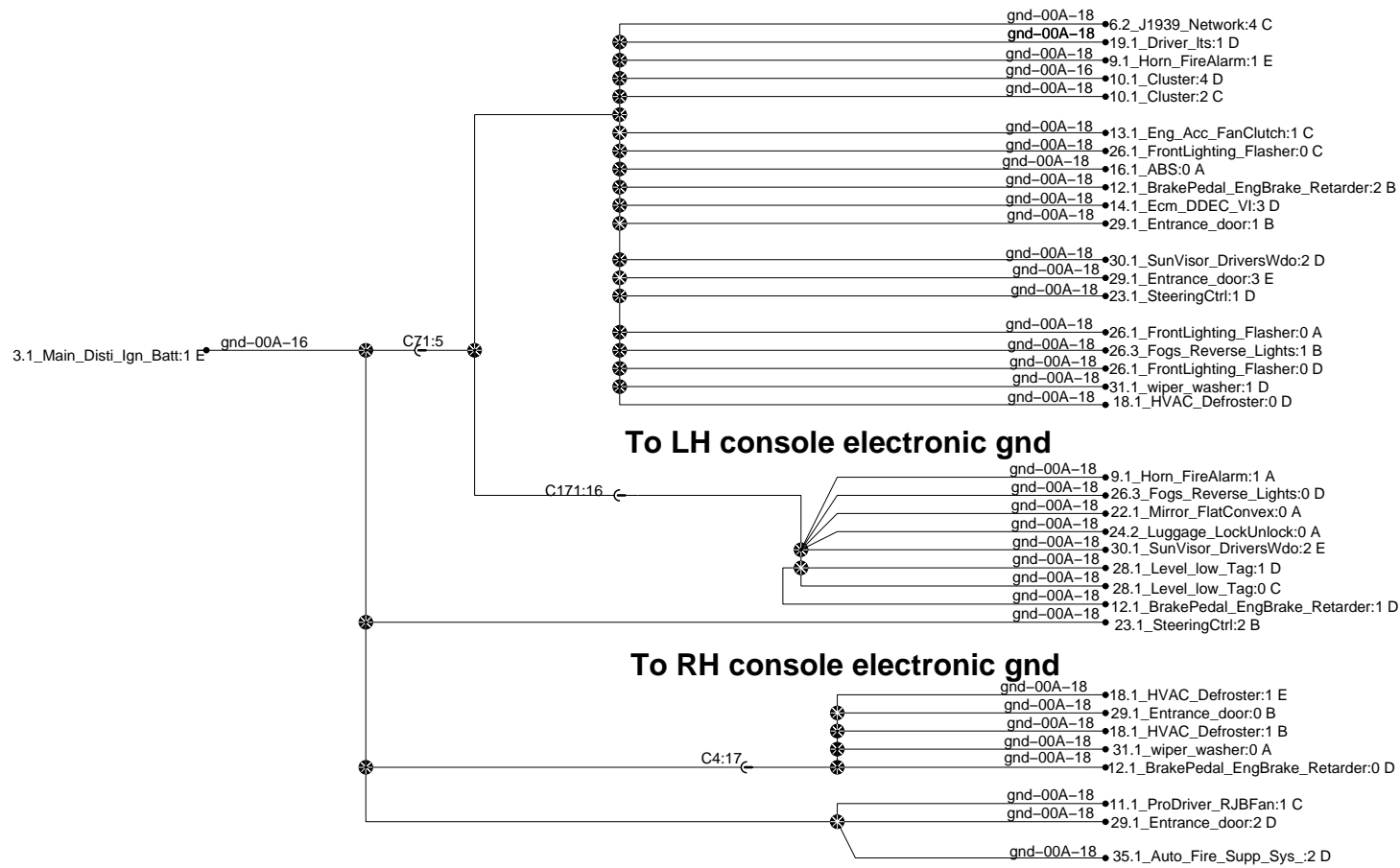


SlideOut Elec.Cmpt Chassis Gnd

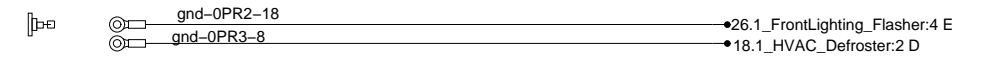


Ground Distribution

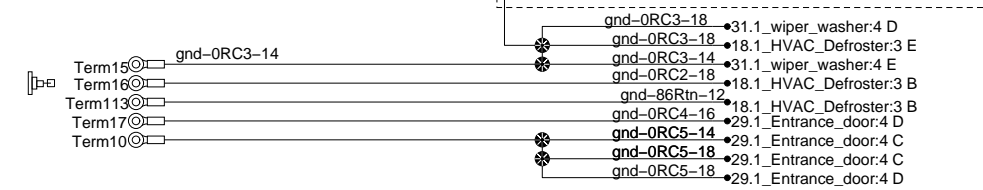
Electronic gnd to Dash harness



Front Top gnd stud



RH Console gnd stud



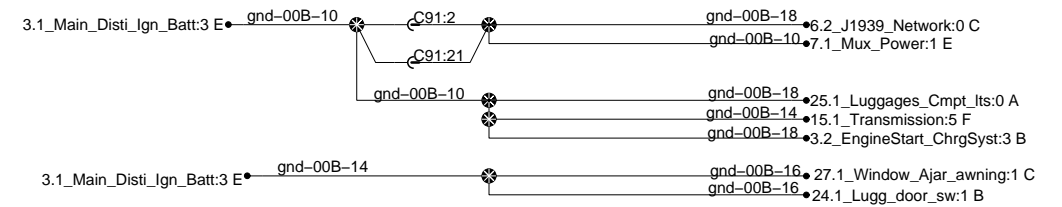
Evaporator cmpt gnd stud



Condensator cmpt gnd stud



Engine Cmpt Electronic gnd



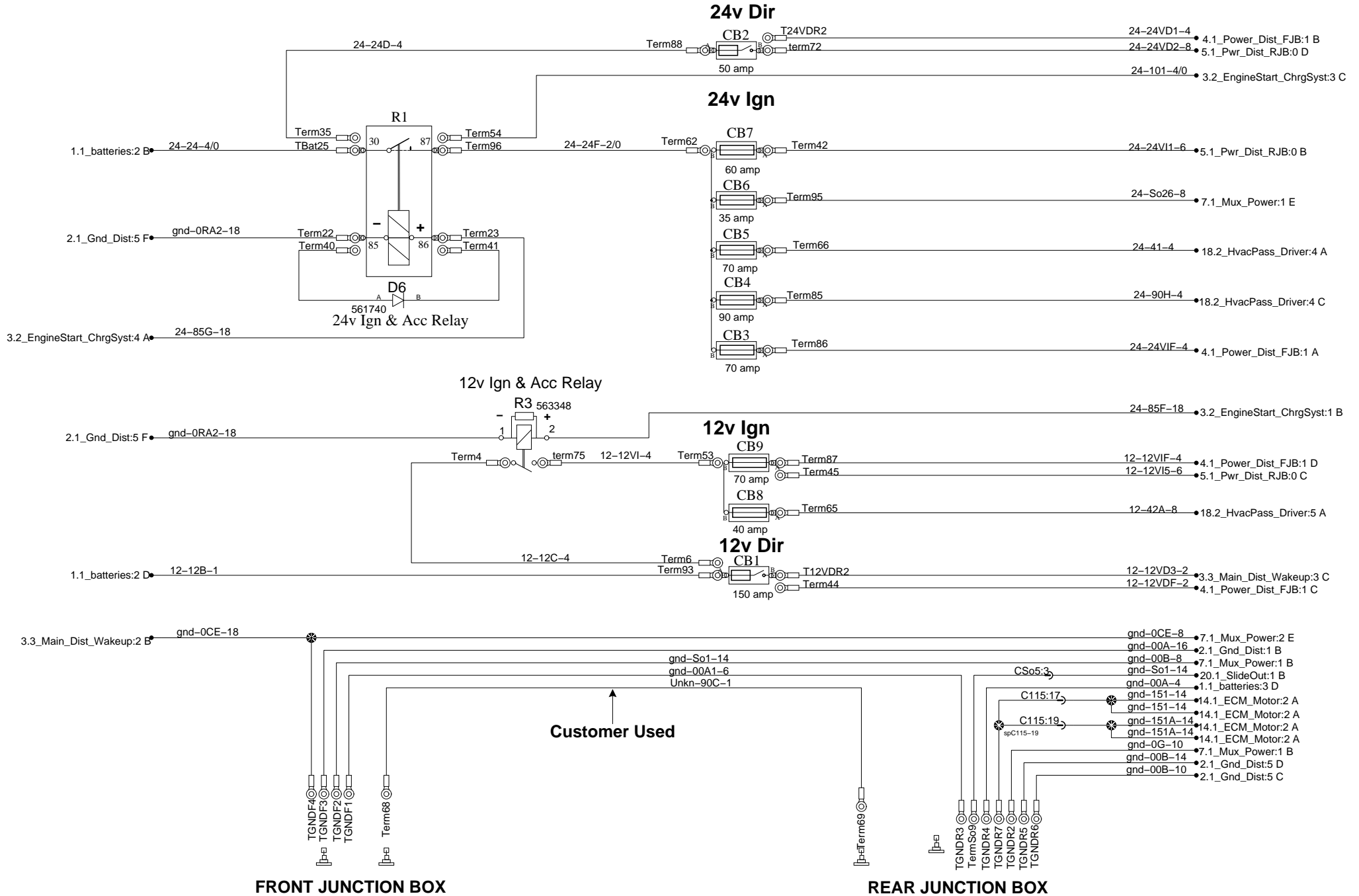
Eng Cmpt gnd stud

Electronic Gnd Eng. cmpt.

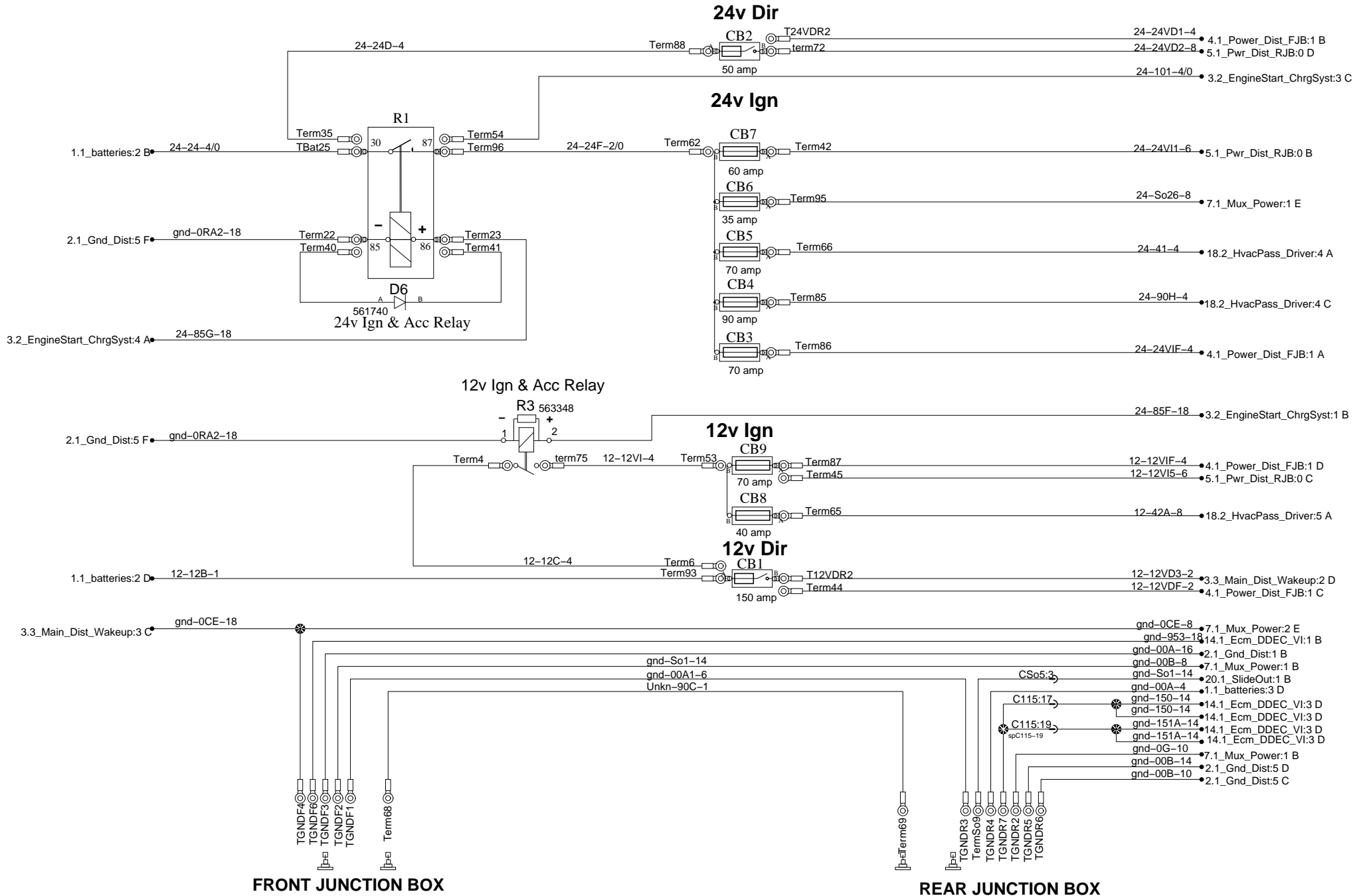
RJB gnd stud

SlideOut Elec.Cmpt Chassis Gnd

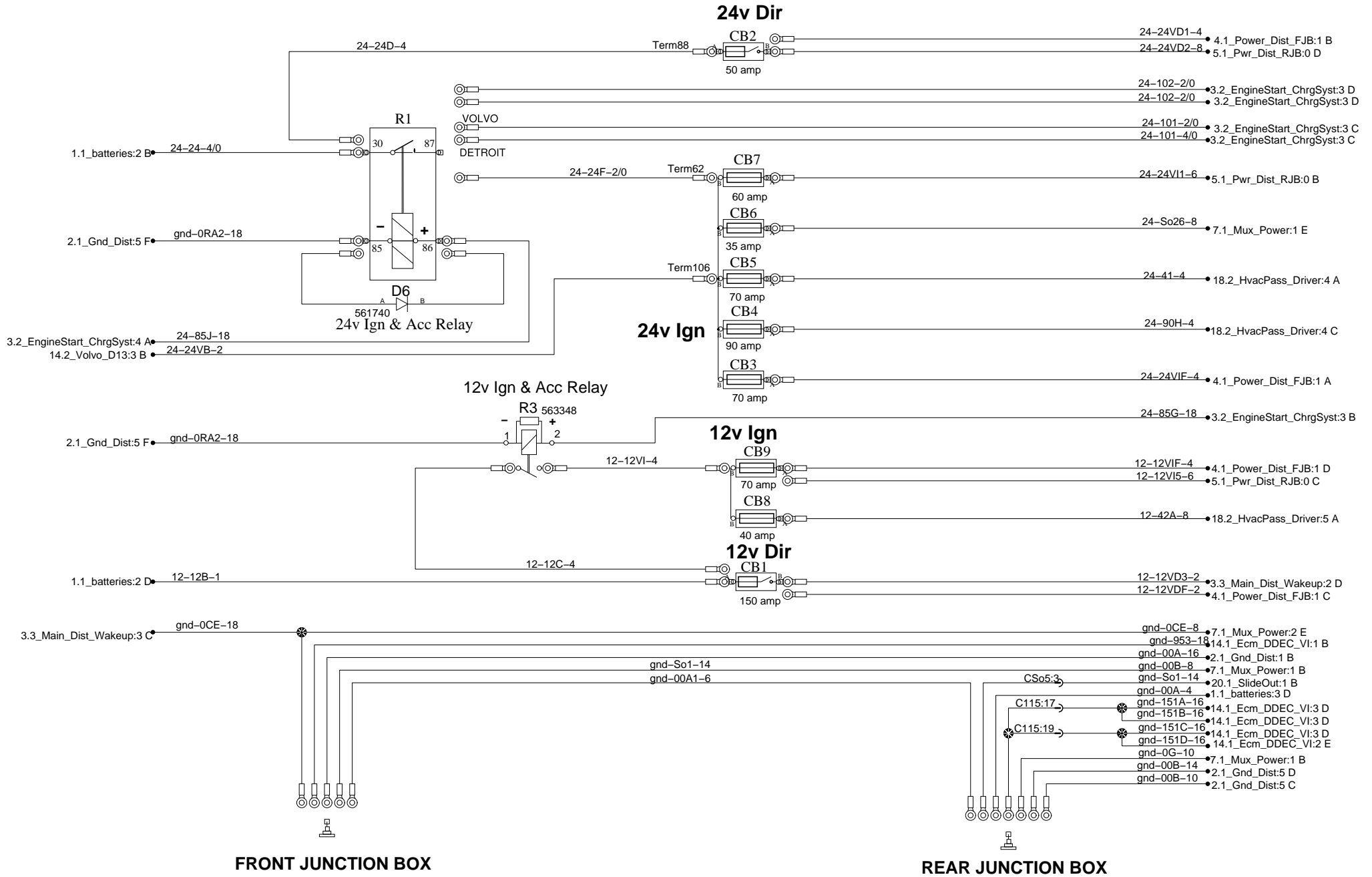
MAIN DISTRIBUTION Equalizer, Batteries & Ignition



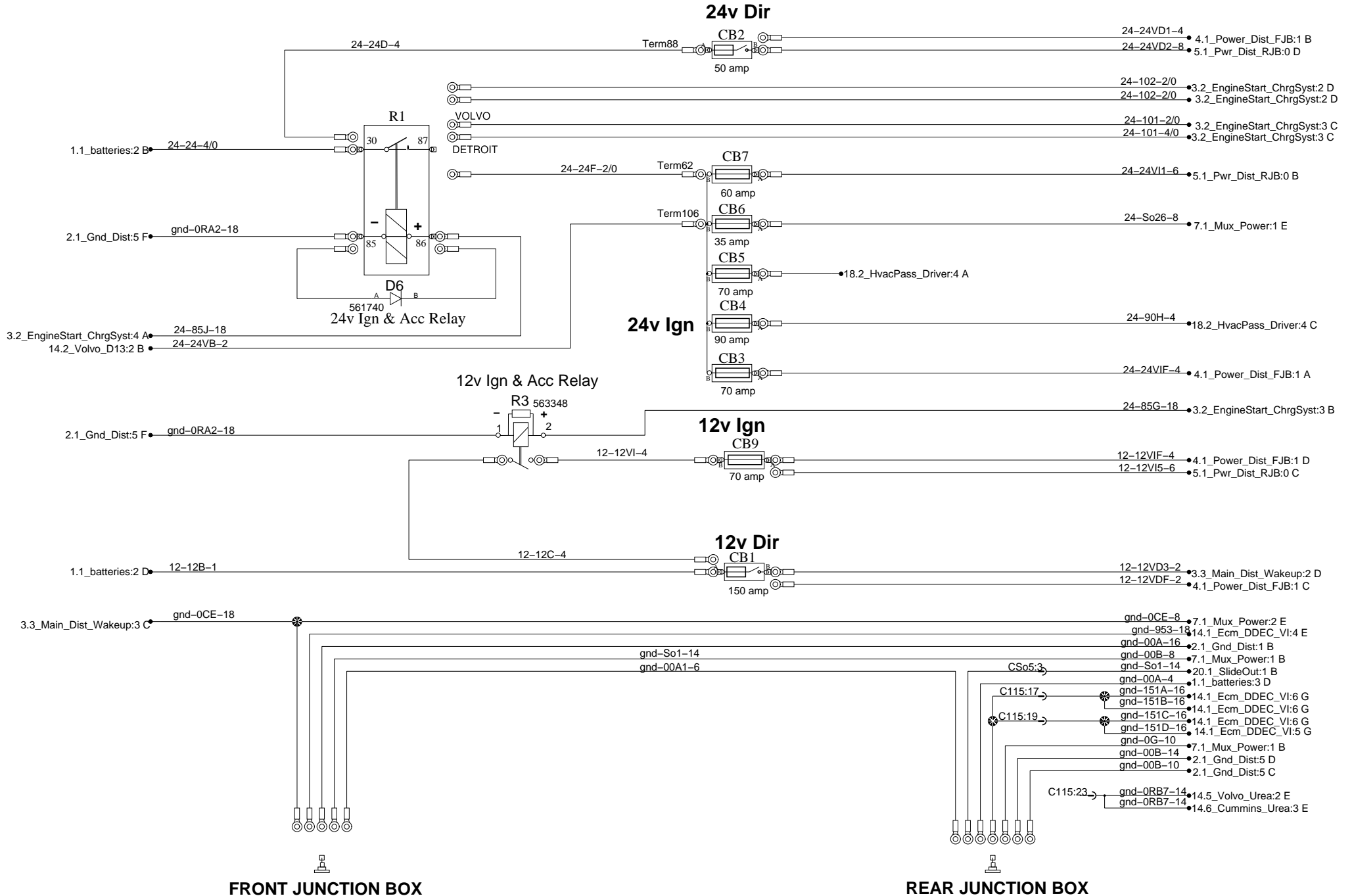
MAIN DISTRIBUTION Equalizer, Batteries & Ignition



MAIN DISTRIBUTION Equalizer, Batteries & Ignition



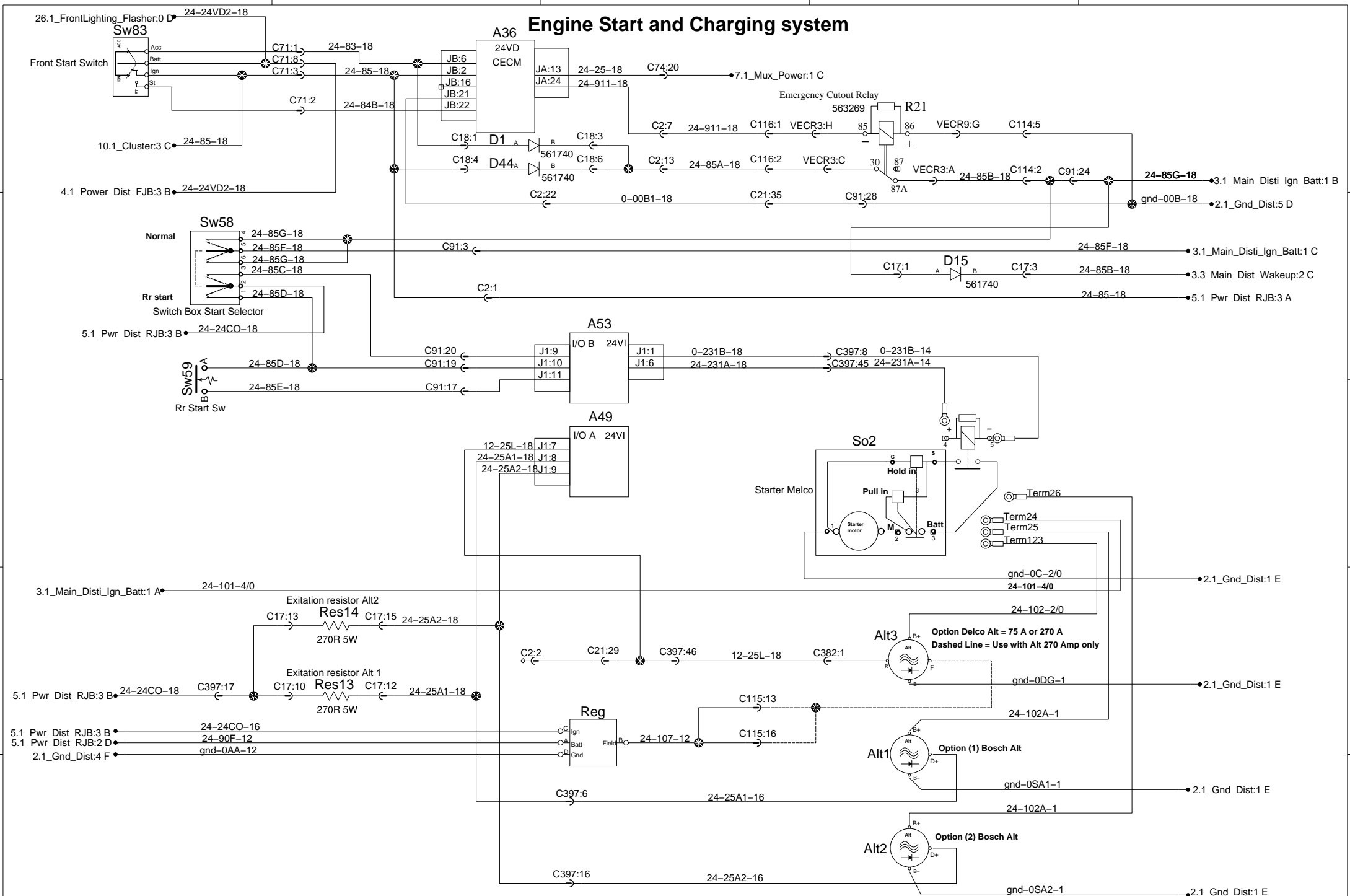
MAIN DISTRIBUTION Equalizer, Batteries & Ignition



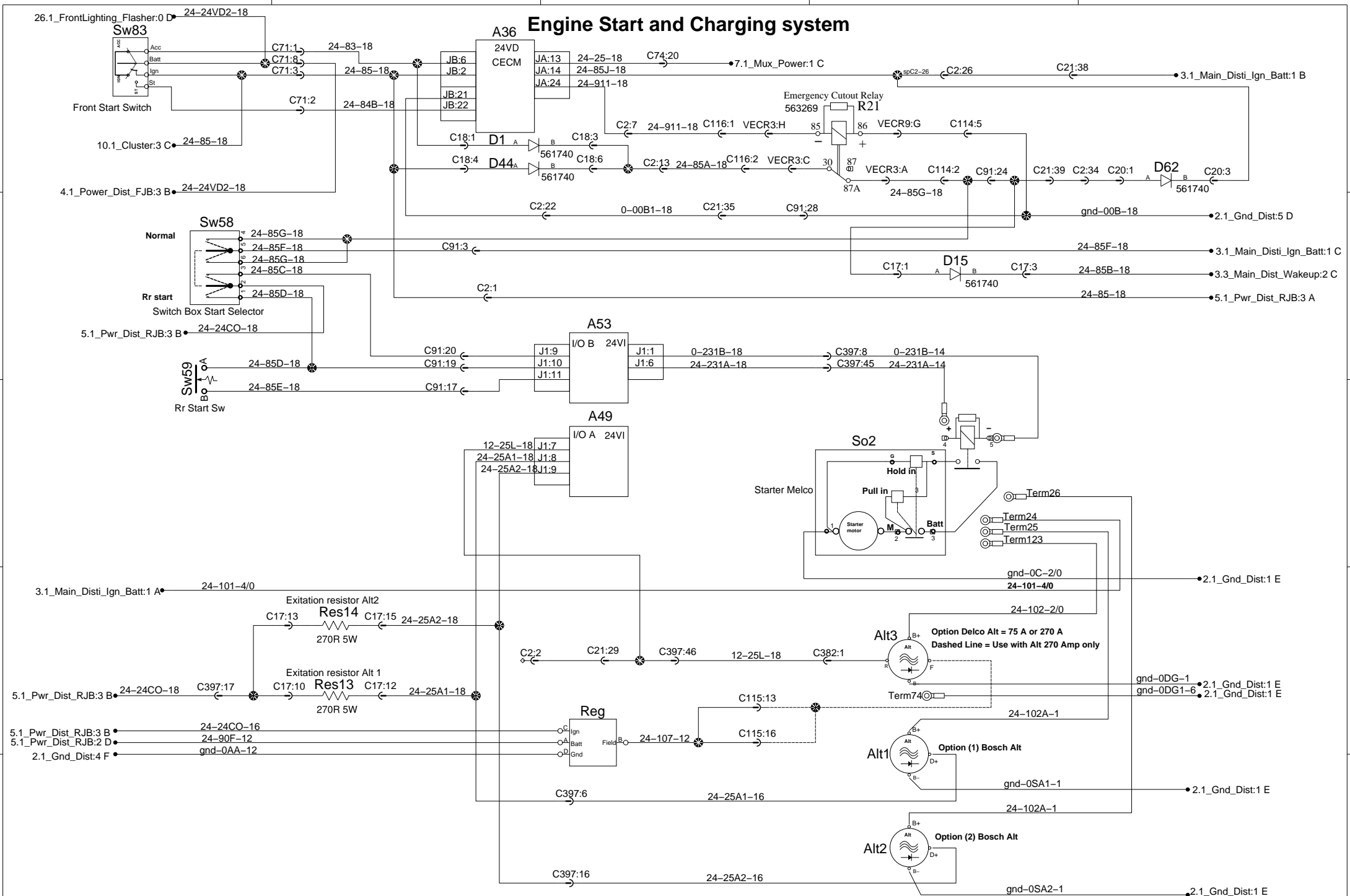
FRONT JUNCTION BOX

REAR JUNCTION BOX

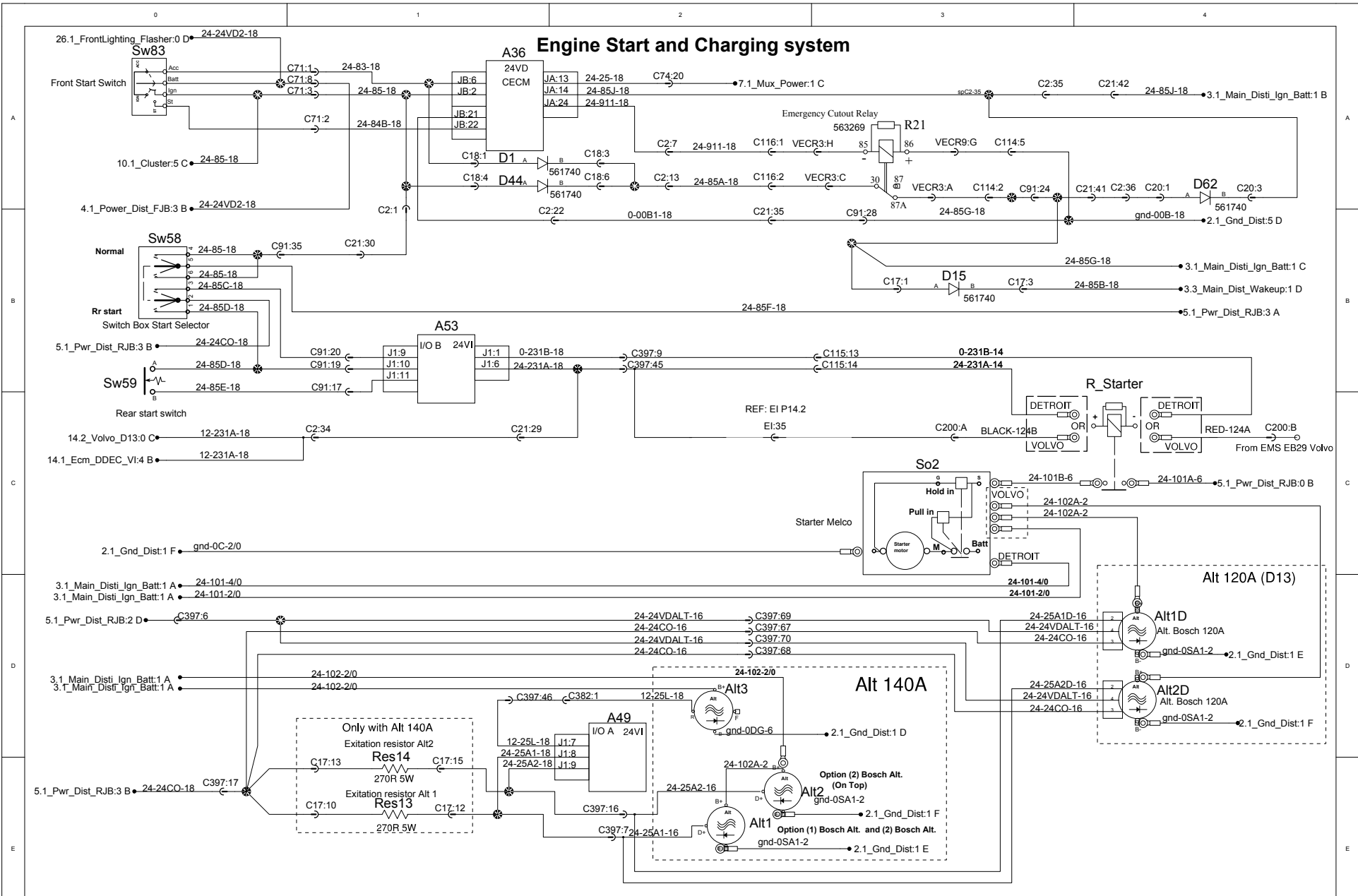
Engine Start and Charging system



Engine Start and Charging system



Engine Start and Charging system



0

1

2

3

4

A

A

B

B

C

C

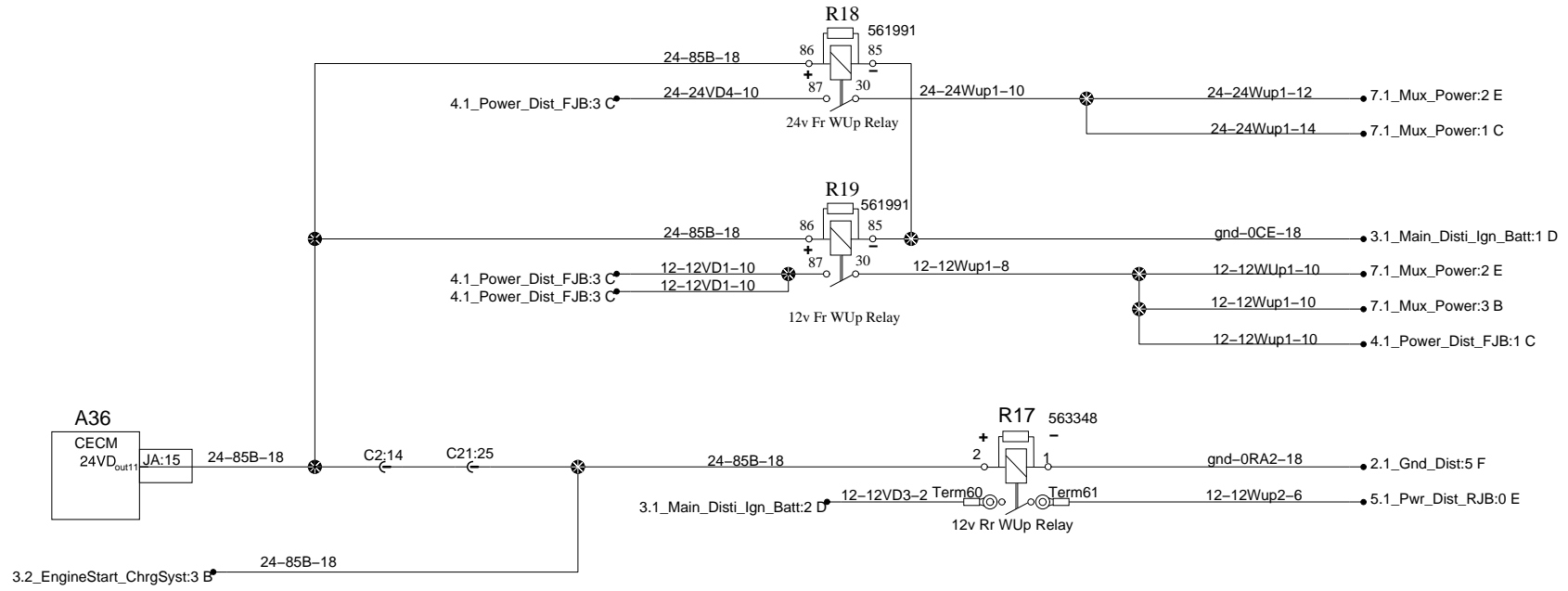
D

D

E

E

MAIN DISTRIBUTION Wake-Up



0

1

2

3

4

0

1

2

3

4

A

A

B

B

C

C

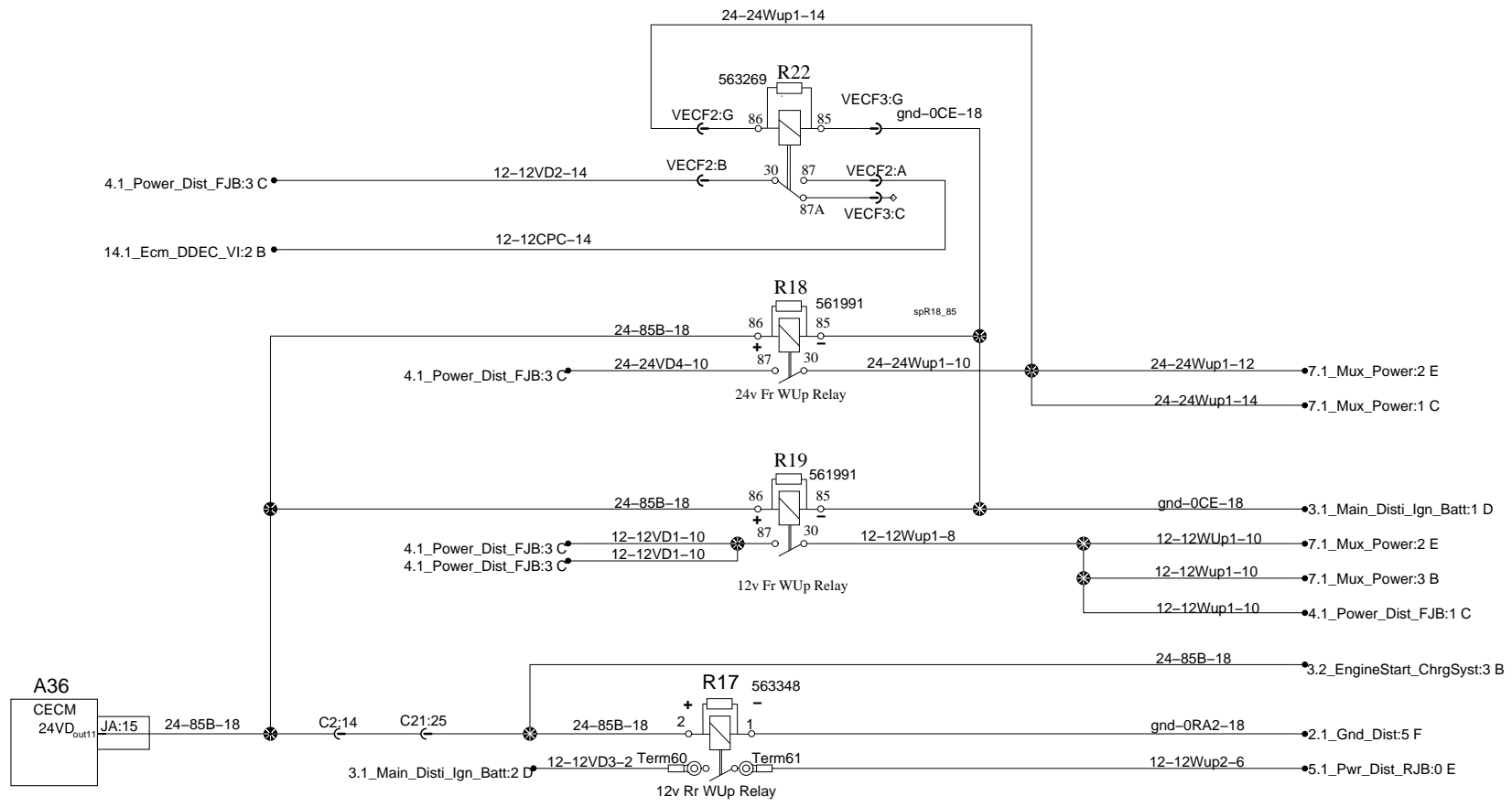
D

D

E

E

MAIN DISTRIBUTION Wake-Up



0

1

2

3

4

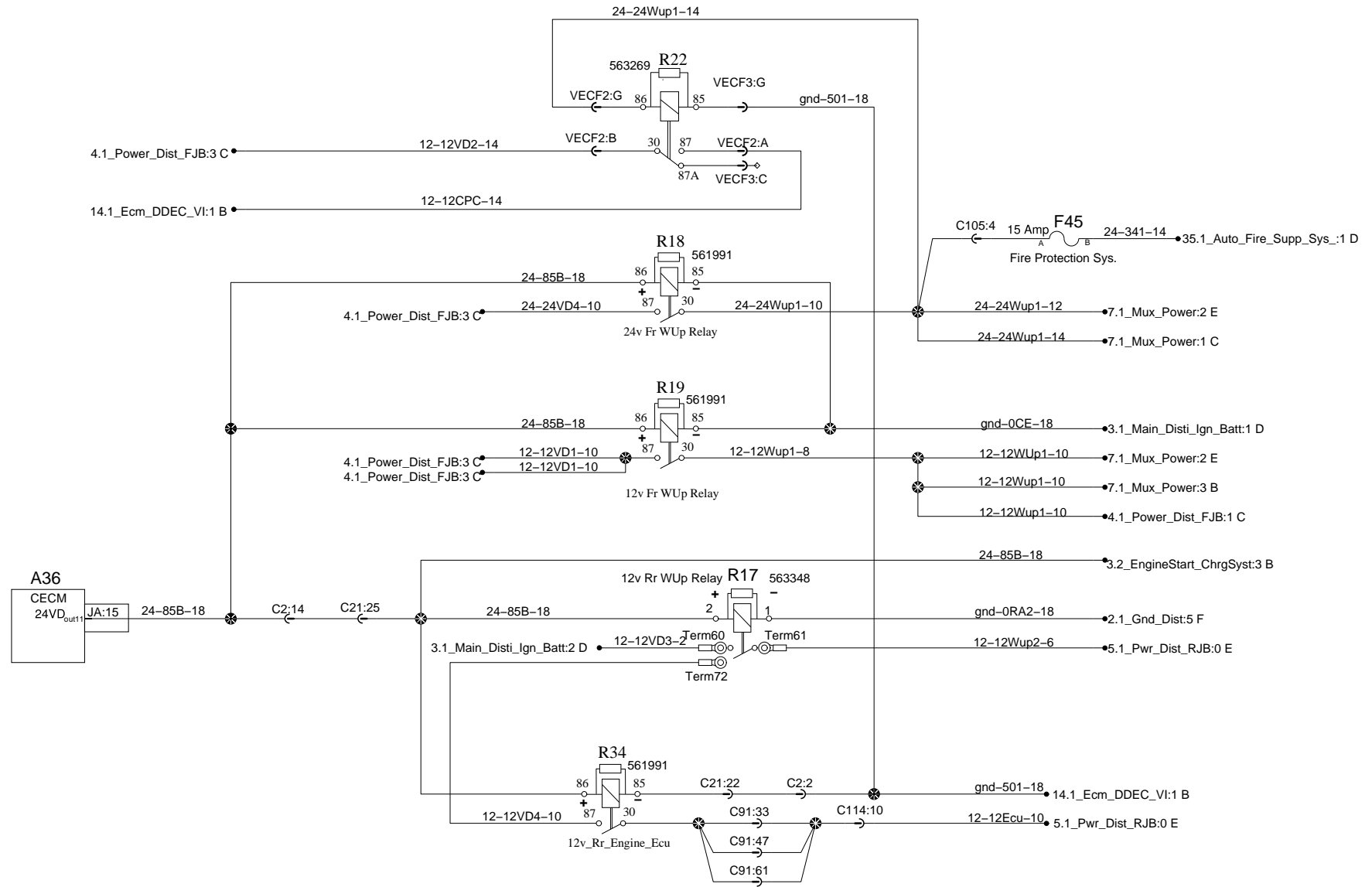


XLII SHELL

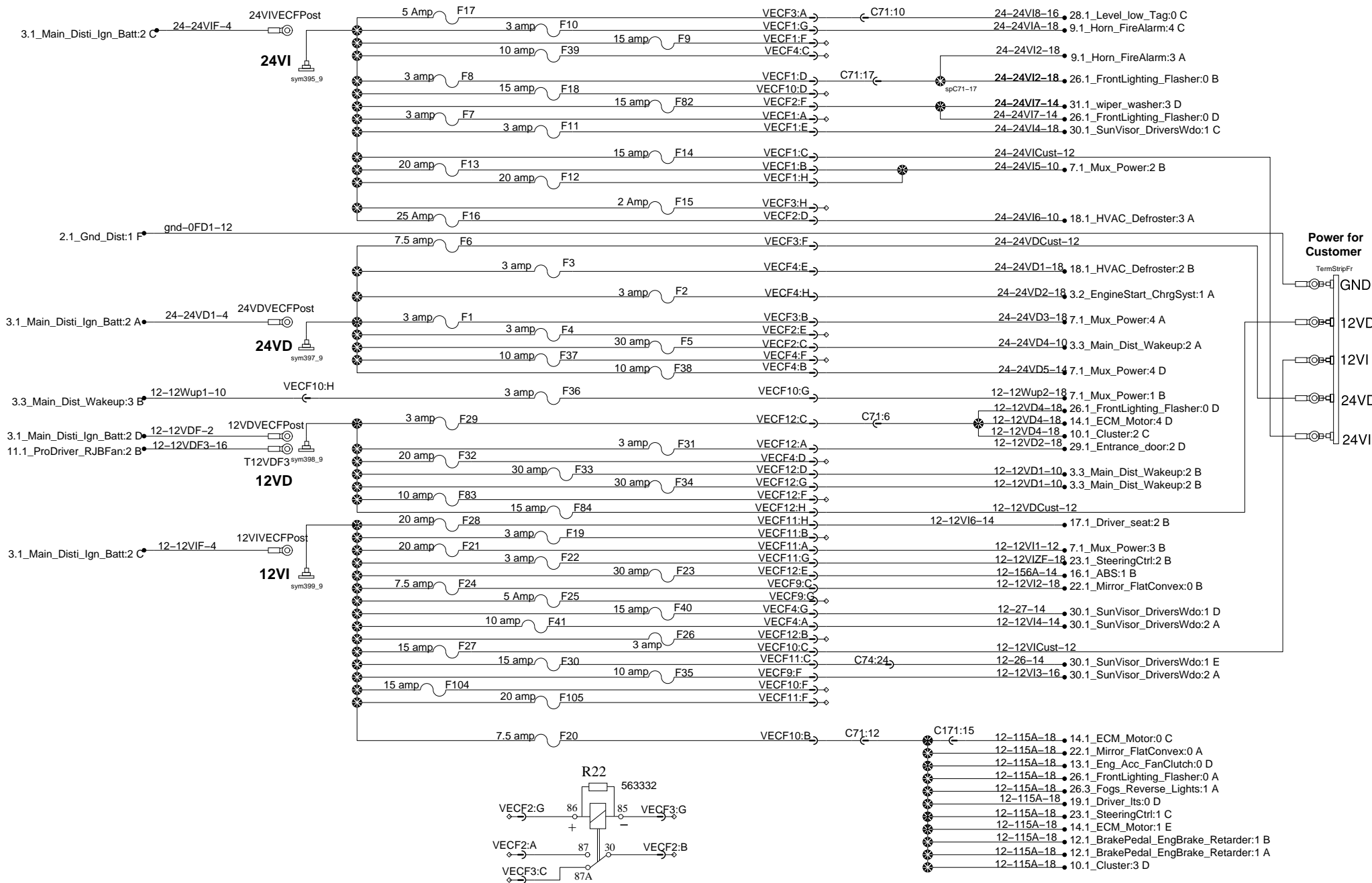


REV.	DATE	O.C.	EFF.	DESCRIPTION	PAGE(S)	BY	CK.	APPR.
0	2006-06-01	2006002		6-9010, 6-9024, EFF : 7-9096 -		PGAG	DGRA	DGRA
01	20/9/2006	2006002		General Review for production	0, 1.1, 10.1, 11.1, 12.1, 14.1, 16.1, 18.1, 18.2, 19.1, 2.1, 20.1, 24.1, 24.2, 25.1, 26.1, 26.2, 26.3, 26.4, 3.1, 3.2, 4.1, 5.1, 8.1, 9.1, C3., C3, C3, E, F, G, H, J, K, L,	PGAG	DGRA	DGRA
02	12/04/2006	2006002	7-9096	General Review	1., 0, B,	PGAG	DGRA	DGRA
03	12/05/2006	2006002	7-9096	General Review	0, 10.1, 14.1, 15.1, 16.1, 18.1, 18.2, 19.1, 2.1, 20.1, 24.1, 24.2, 25.1, 26.1, 26.2, 26.3, 27.1, 29.1, 3.1, 3.2, 3.3, 31.1, 4.1, 5.1, 7.1, 8.1,	PGAG	DGRA	DGRA
04	19/6/2007	2005002	8-9372	COOLING 2007, ESP	0, 2.1, 3.1, 3.2, 3.3, 30.1, 4.1, 5.1, 6.1, 6.2, 12.1, 14.1, 15.1, 16.1, 16.2, A, B1, B2, B3, C1, C3, E, F, G, H, J, K, L,	SLEB	DGRA	DGRA
05	30/08/2007	N/A	8-9308	CB60+CB61 For Lugg. Door Lock Pages Correction Update	0,F,L,5,1 C1,18,1,26,3	ELAN	CLEM	CLEM
06	02/10/2007		8-9346	Pages Updated	A,F,L,4,1	ELAN	CLEM	CLEM
07	2008-09-01	2006025	8-9422	Introduction of Control on Steering Wheel and TPMS	10.1, 12.1, 13.1, 14.1, 14.2, 15.1, 18.1, 19.1, 2.1, 21.1, 22.1, 24.2, 26.3, 3.2, 30.1, 31.1, 32.1, 33.1, 34.1, 4.1, 5.1, 6.1, 7.1, 8.1, 3.3 9.1, B1, B2, B3, E, F, G, H, J, K, L, A, 0	PGAG	CLEM	CLEM

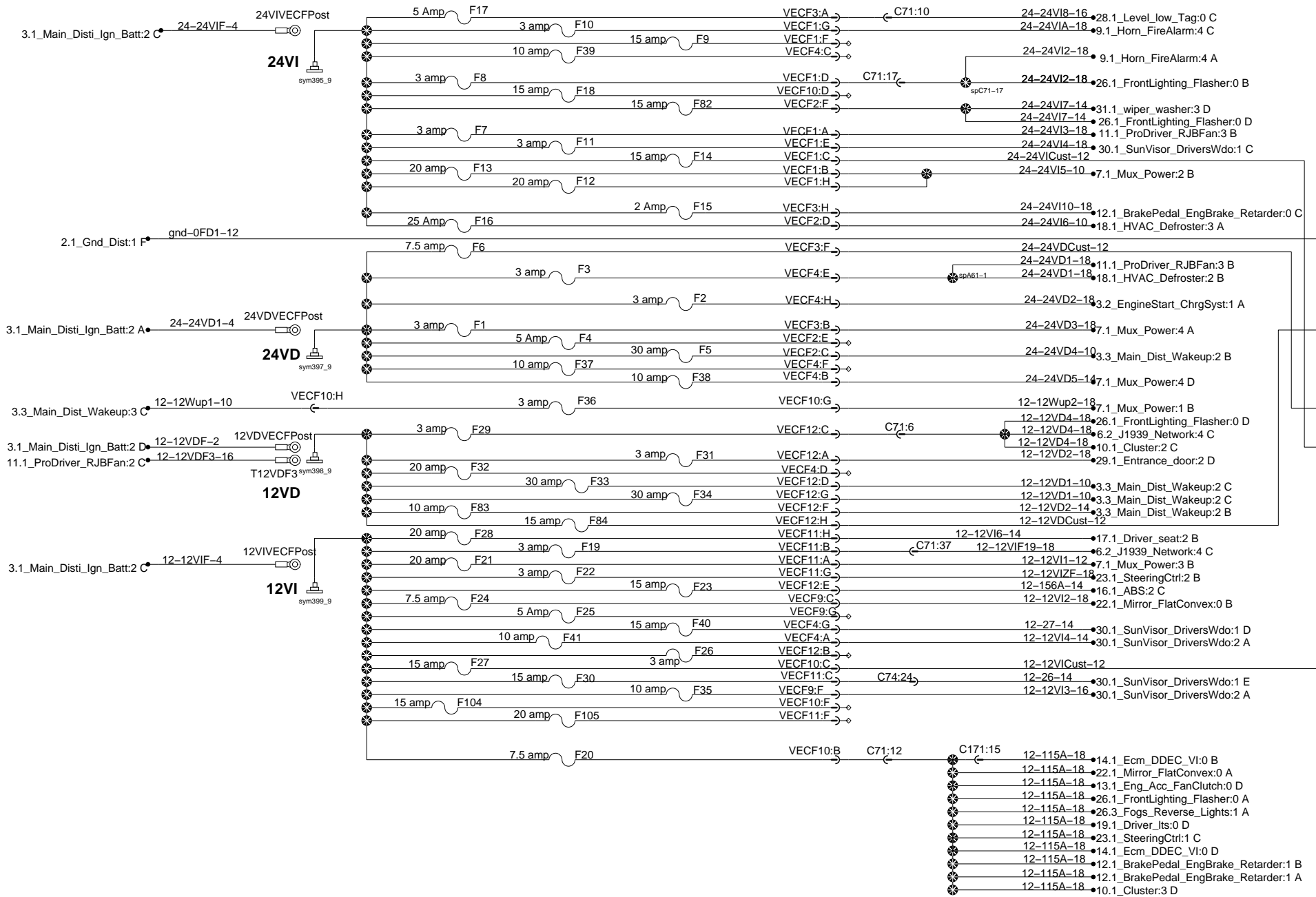
MAIN DISTRIBUTION Wake-Up



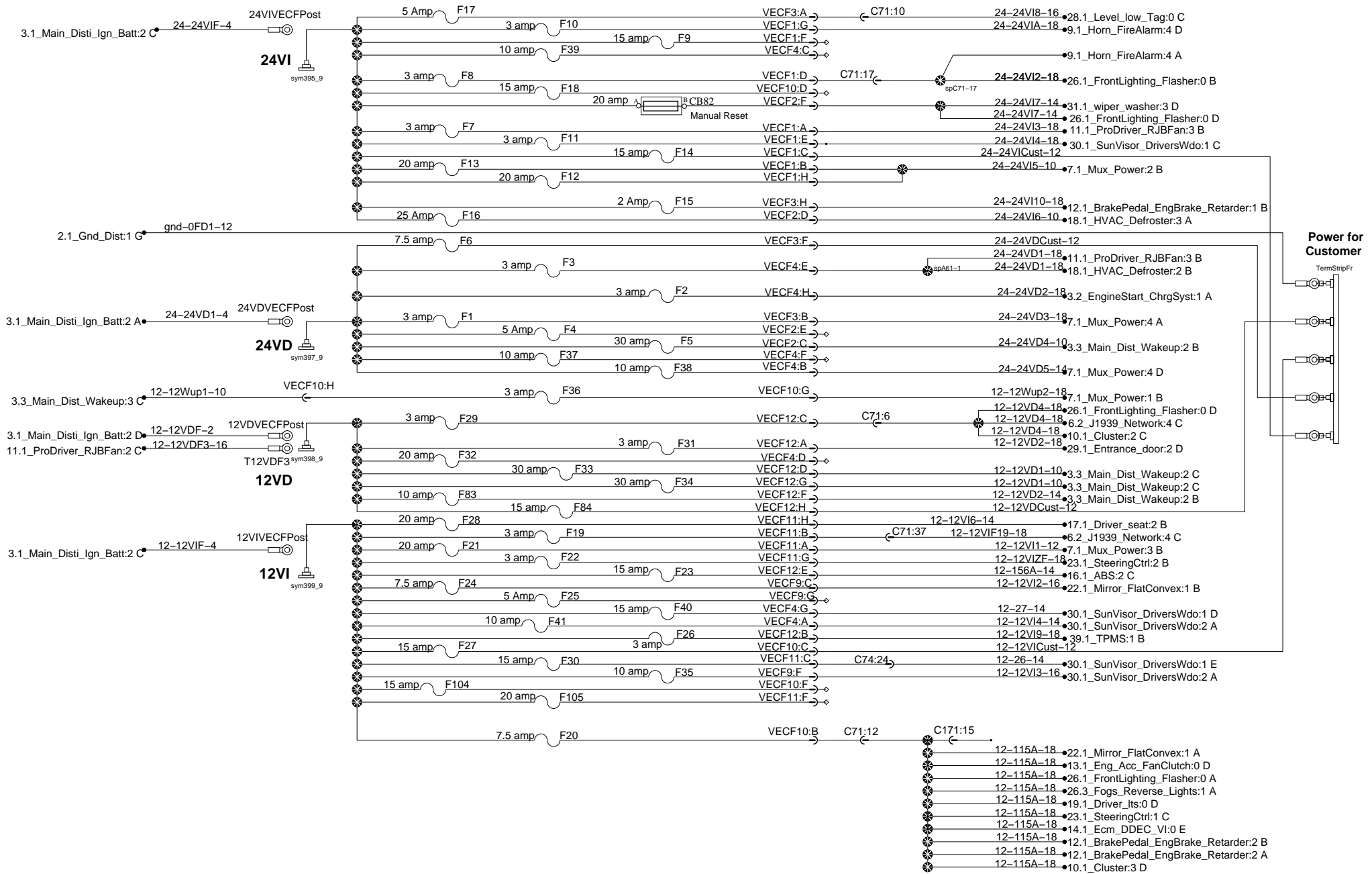
Power Distribution Front Junction Box



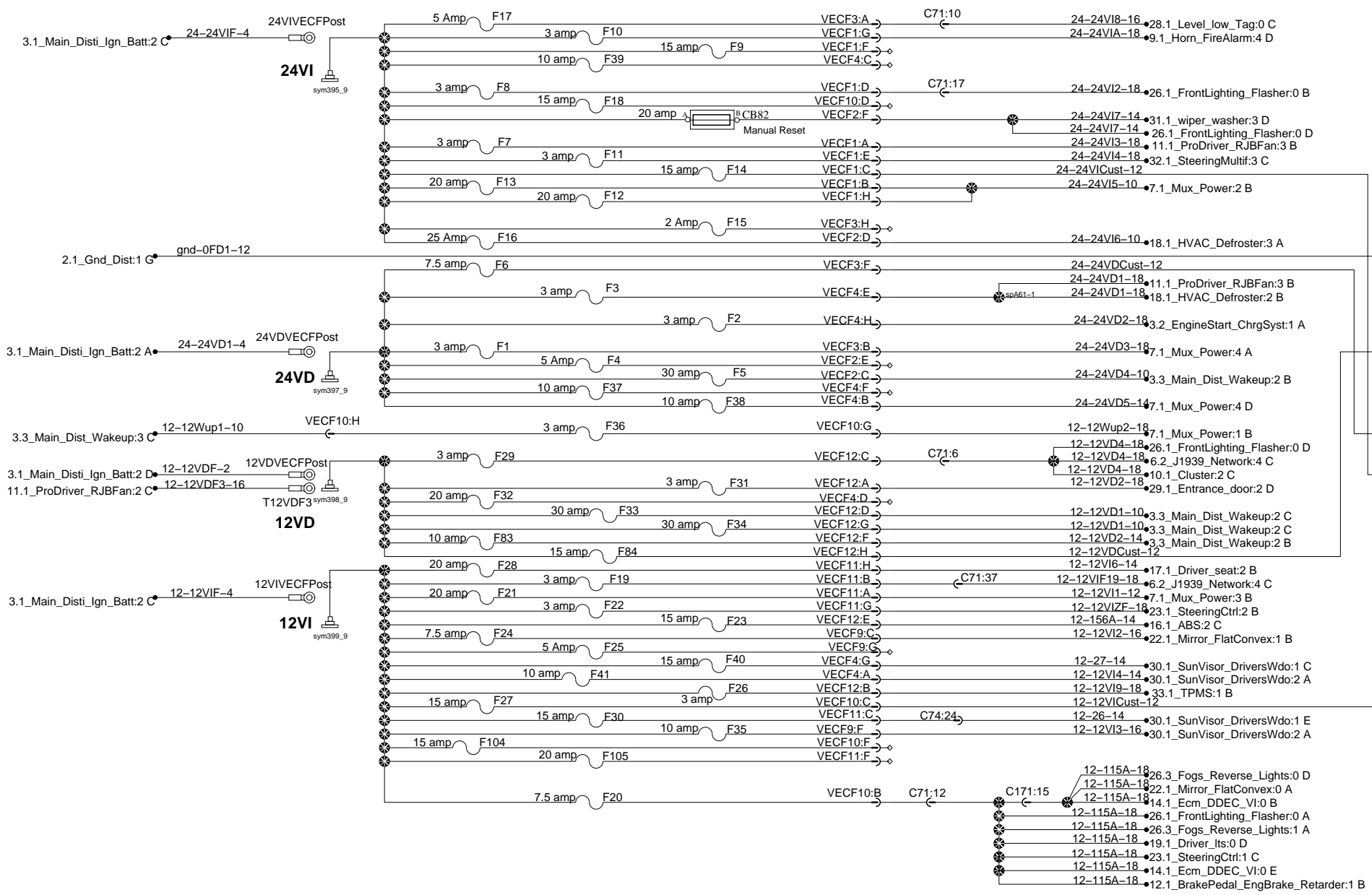
Power Distribution Front Junction Box



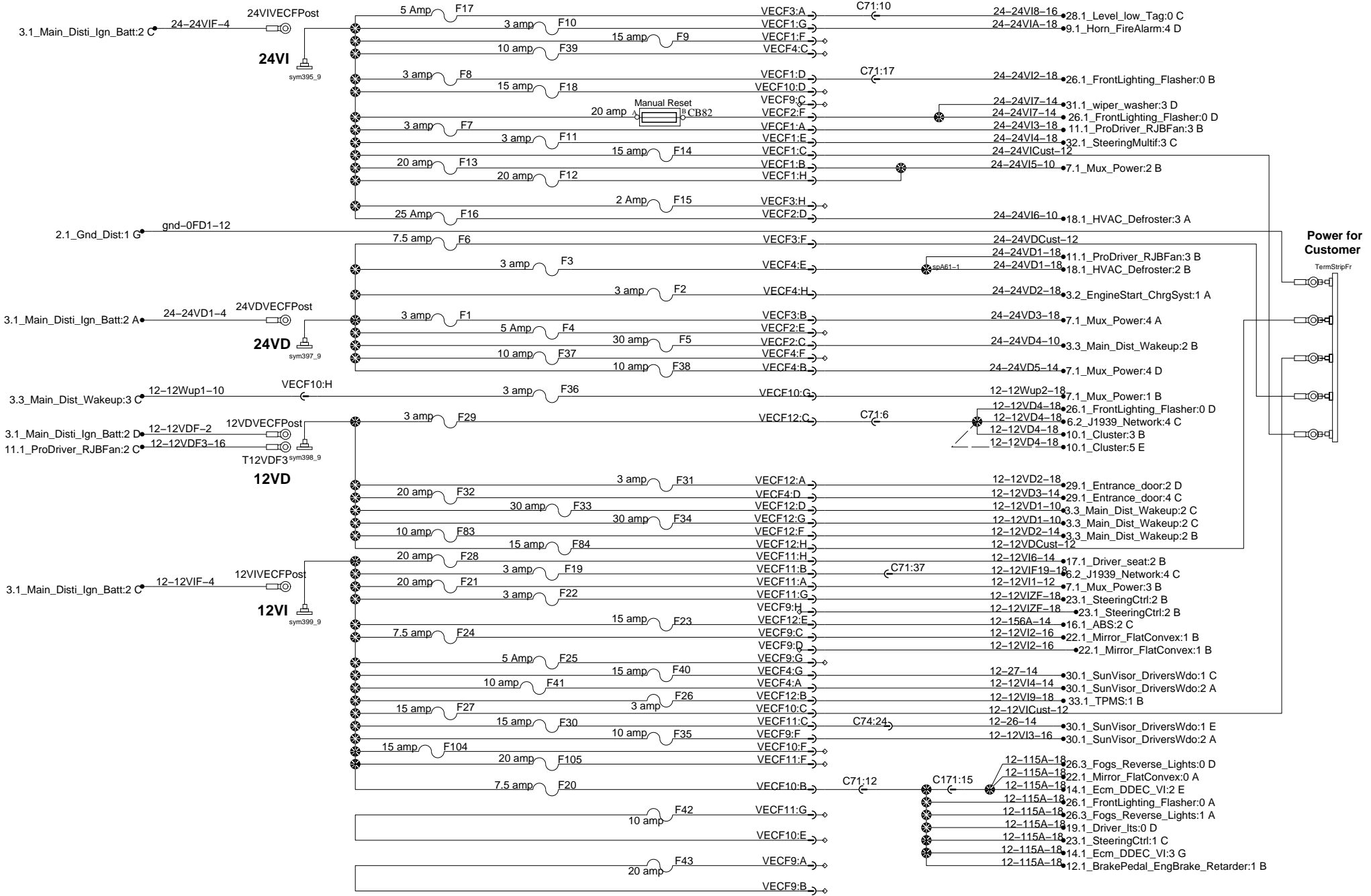
Power Distribution Front Junction Box



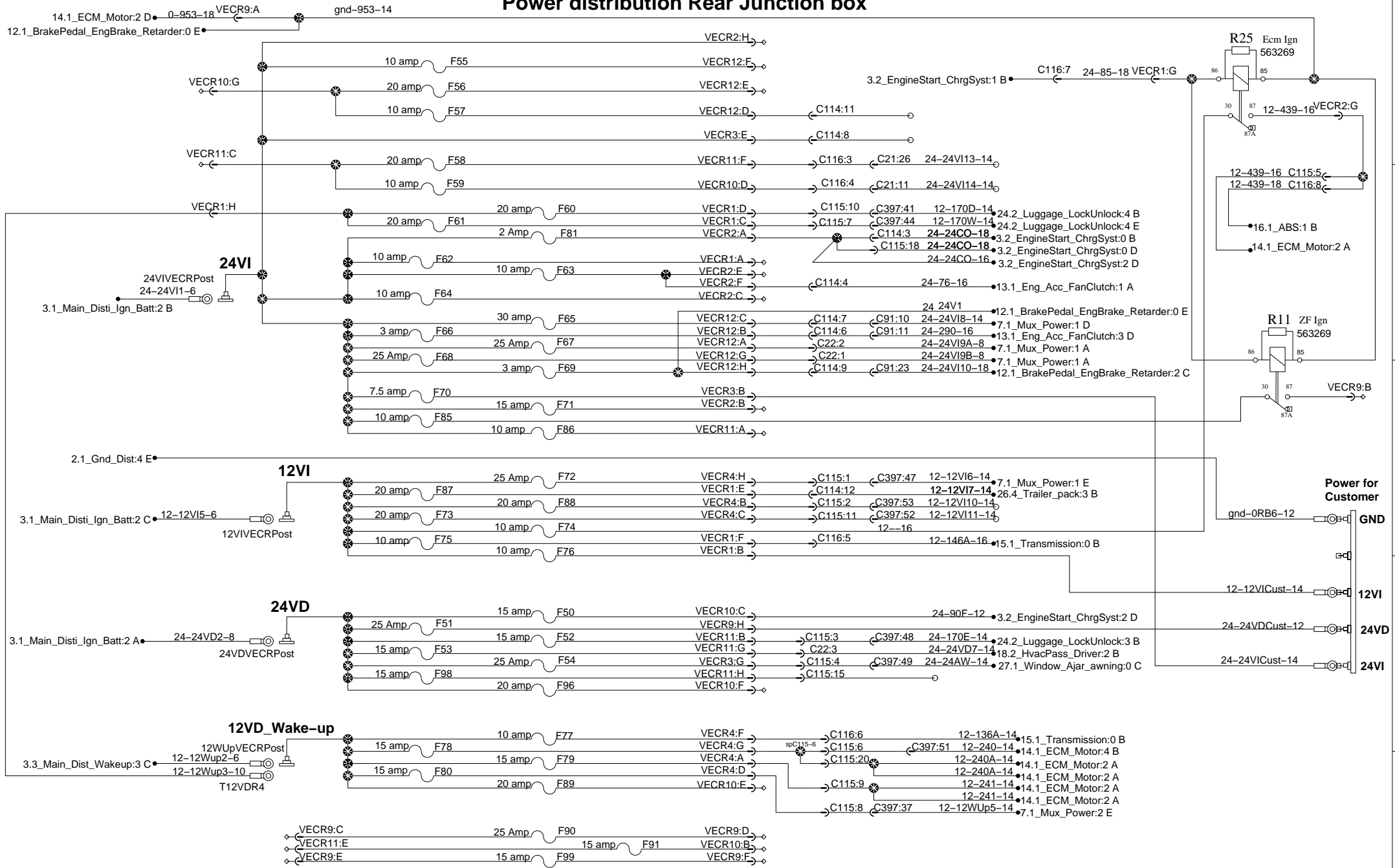
Power Distribution Front Junction Box



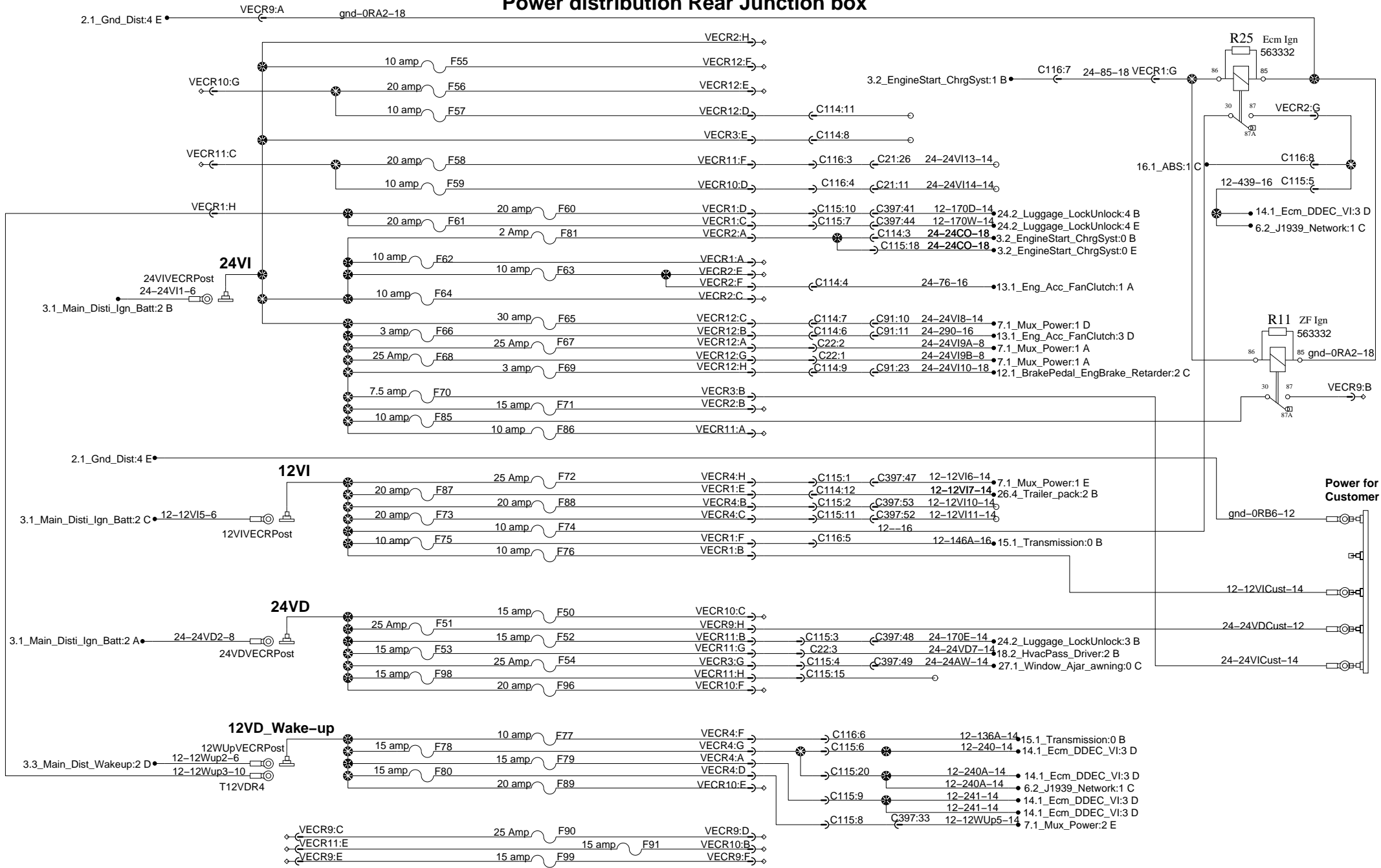
Power Distribution Front Junction Box



Power distribution Rear Junction box



Power distribution Rear Junction box



Power distribution Rear Junction box

A

A

B

B

C

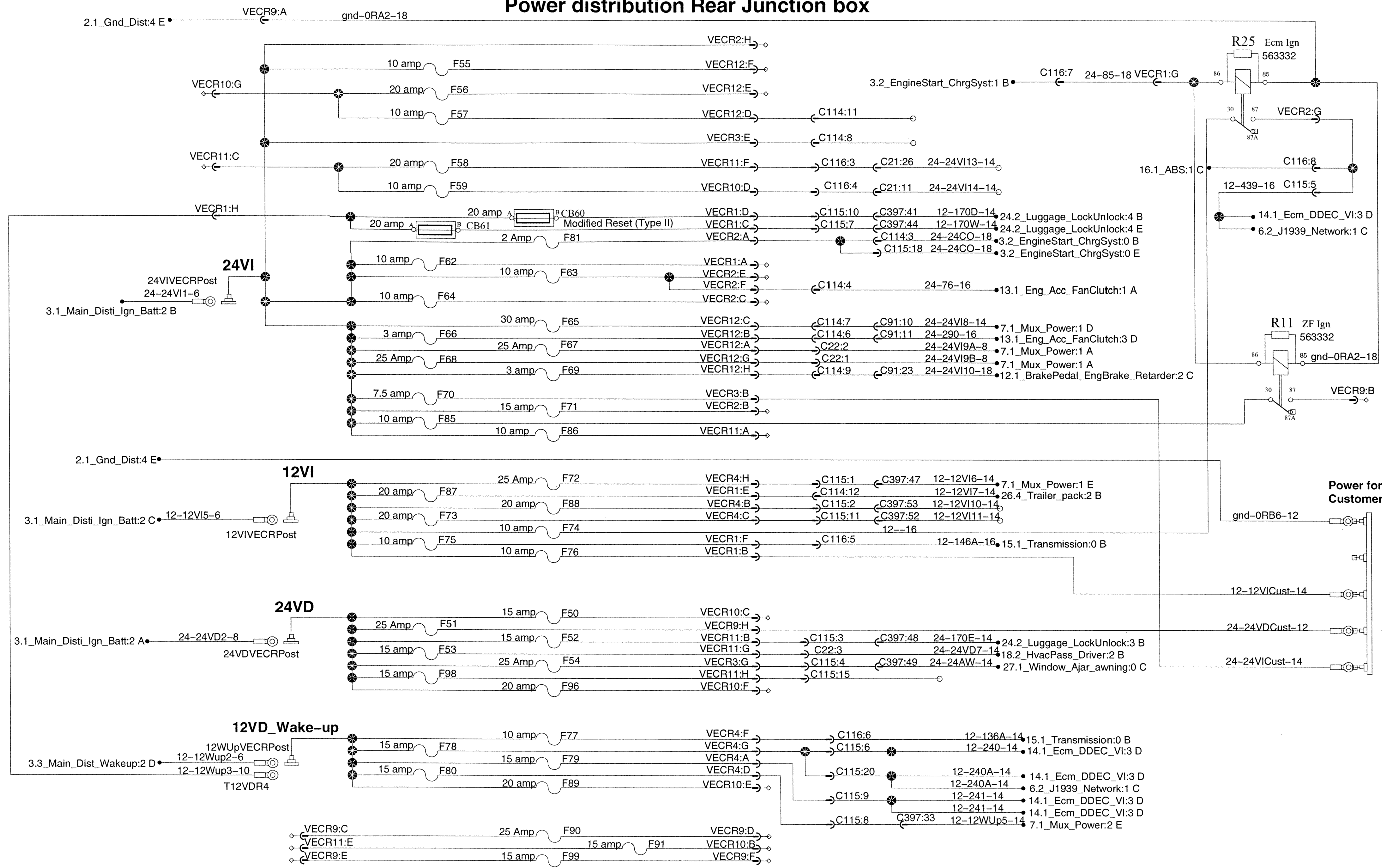
C

D

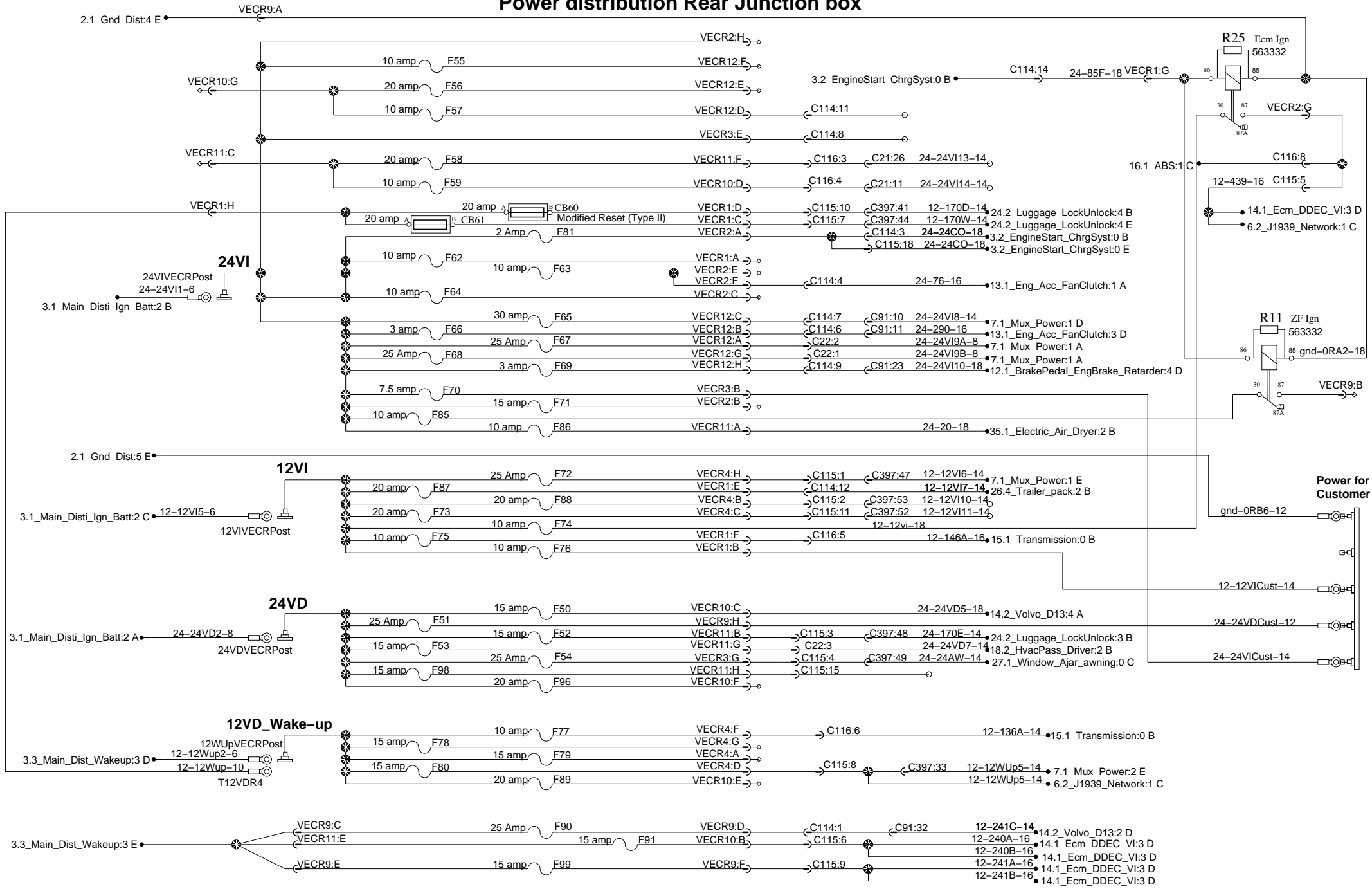
D

E

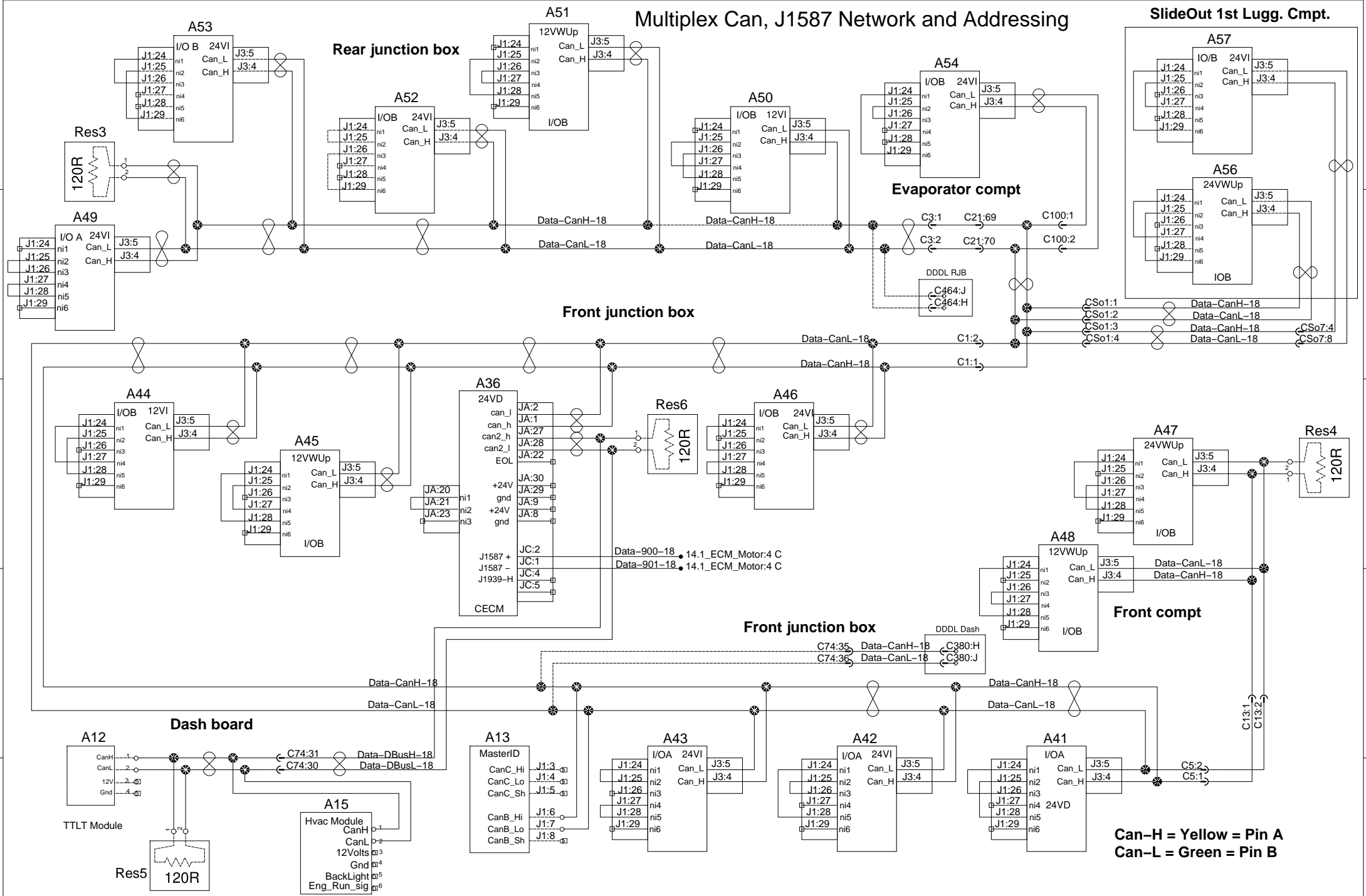
E



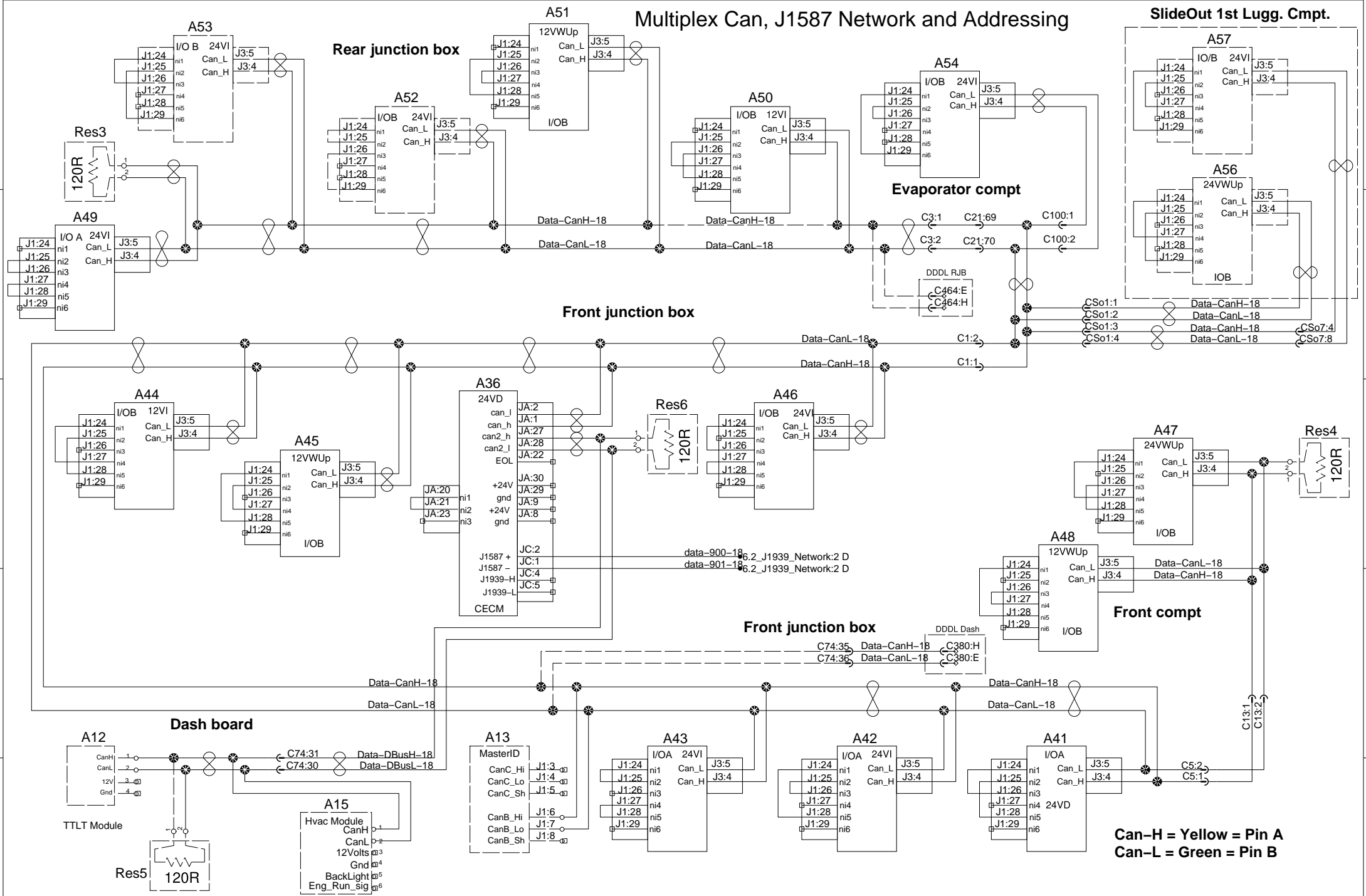
Power distribution Rear Junction box



Multiplex Can, J1587 Network and Addressing

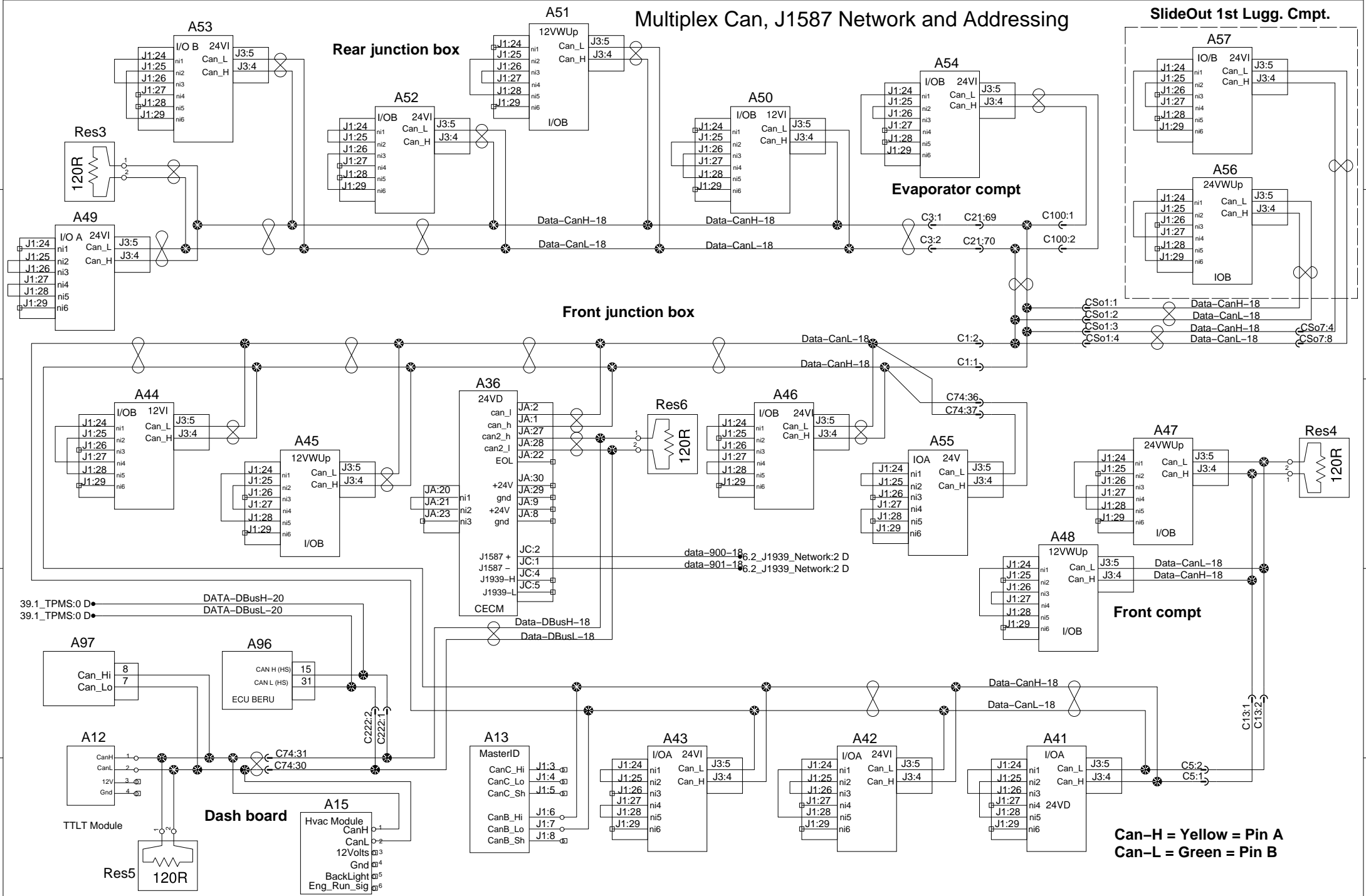


Multiplex Can, J1587 Network and Addressing

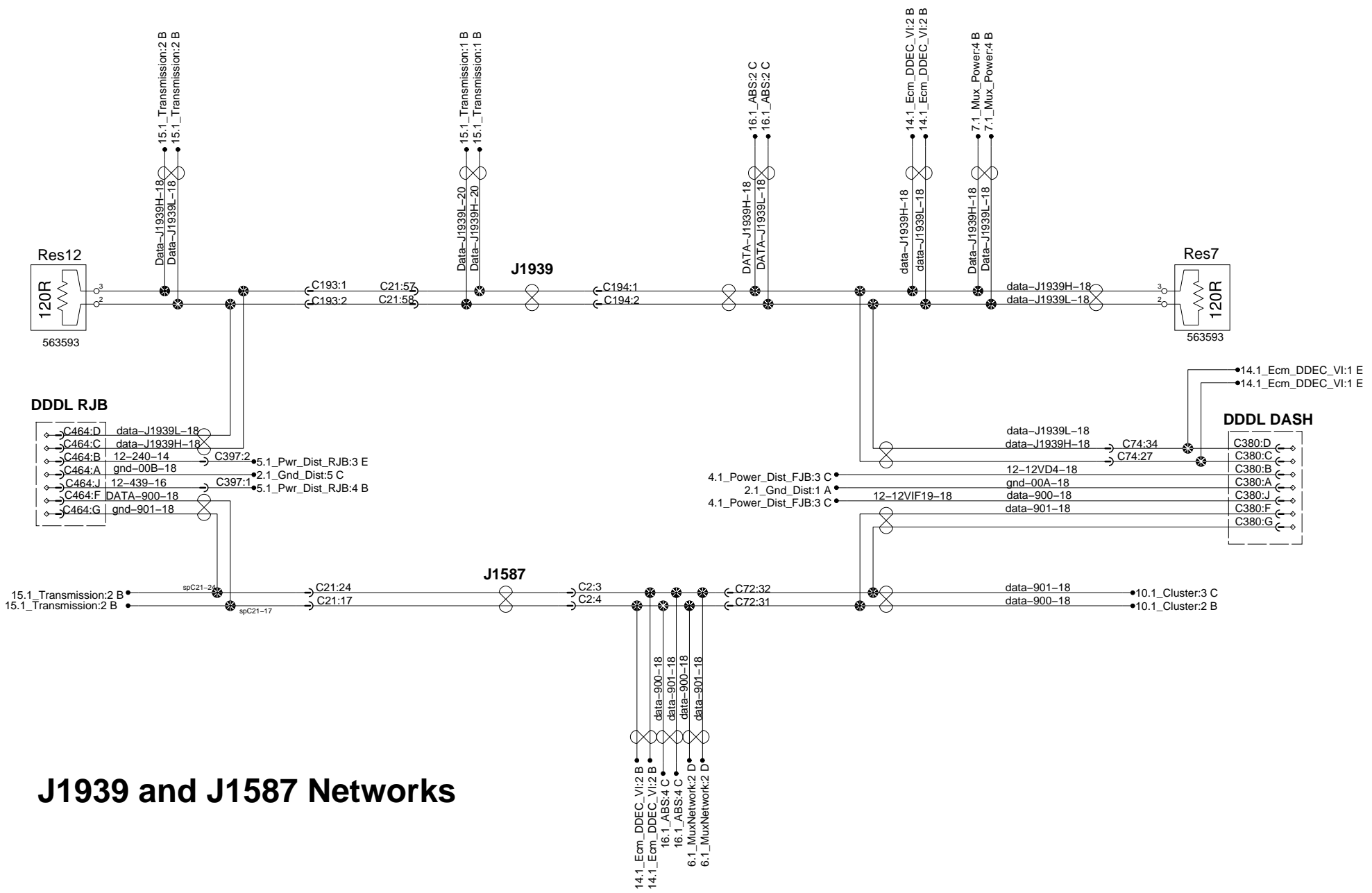


Can-H = Yellow = Pin A
 Can-L = Green = Pin B

Multiplex Can, J1587 Network and Addressing



Can-H = Yellow = Pin A
 Can-L = Green = Pin B



J1939 and J1587 Networks

Multiplex Power Supply Distribution

Evaporator Cmpt.

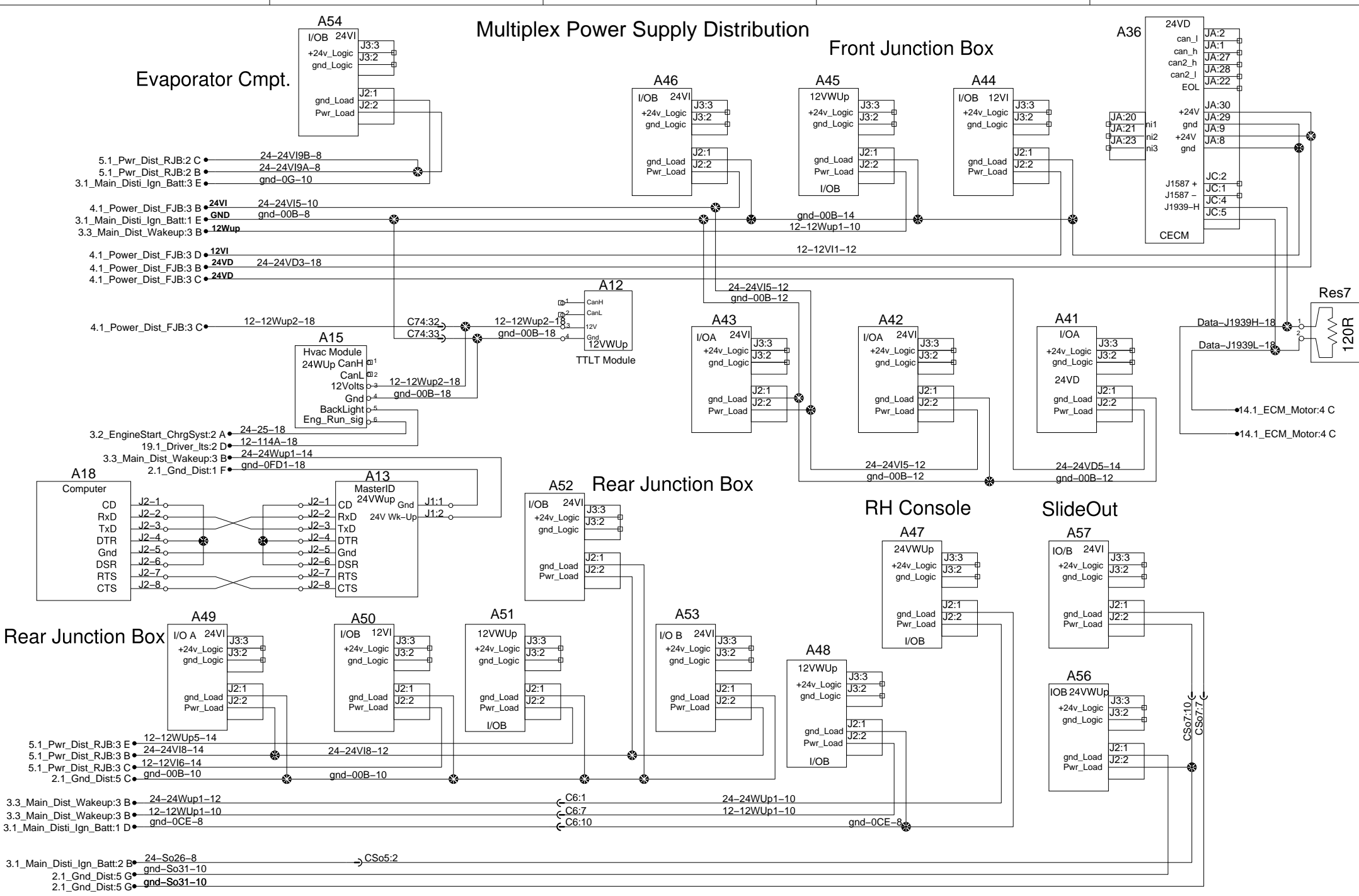
Front Junction Box

Rear Junction Box

RH Console

SlideOut

Rear Junction Box

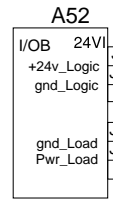
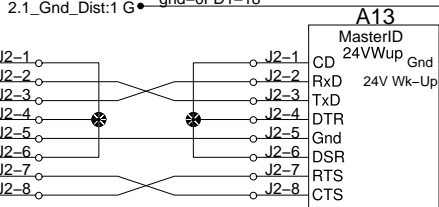
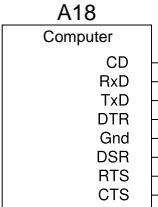
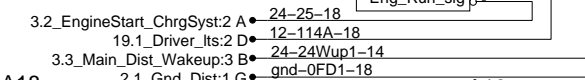
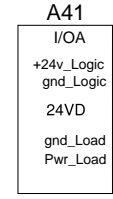
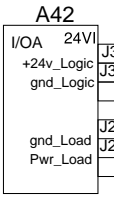
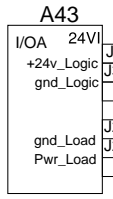
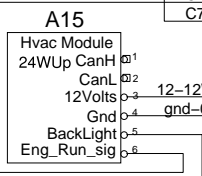
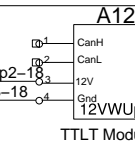
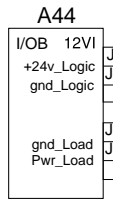
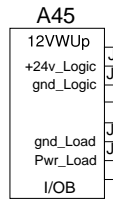
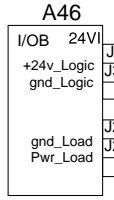
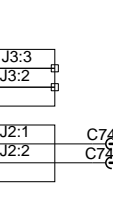
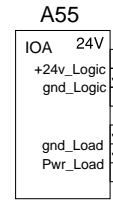
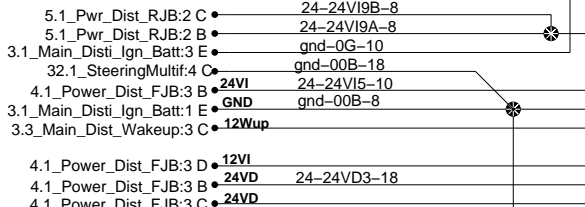
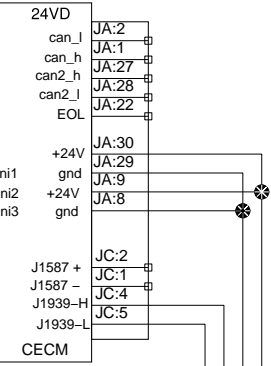


Evaporator Cmpt.

Multiplex Power Supply Distribution

Front Junction Box

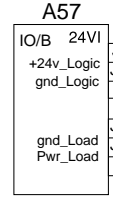
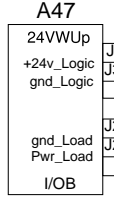
A36



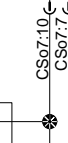
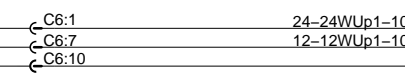
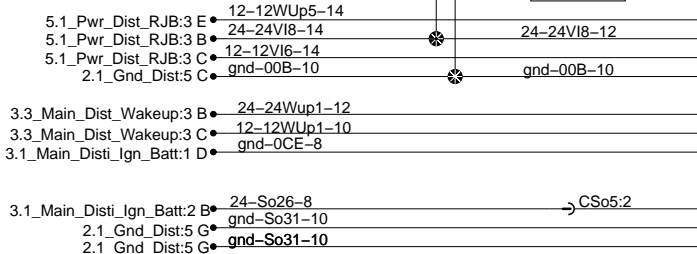
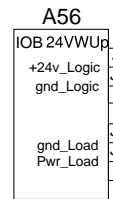
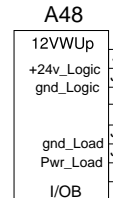
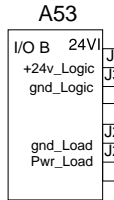
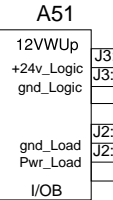
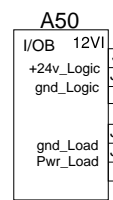
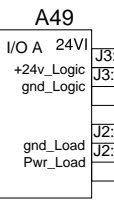
Rear Junction Box

RH Console

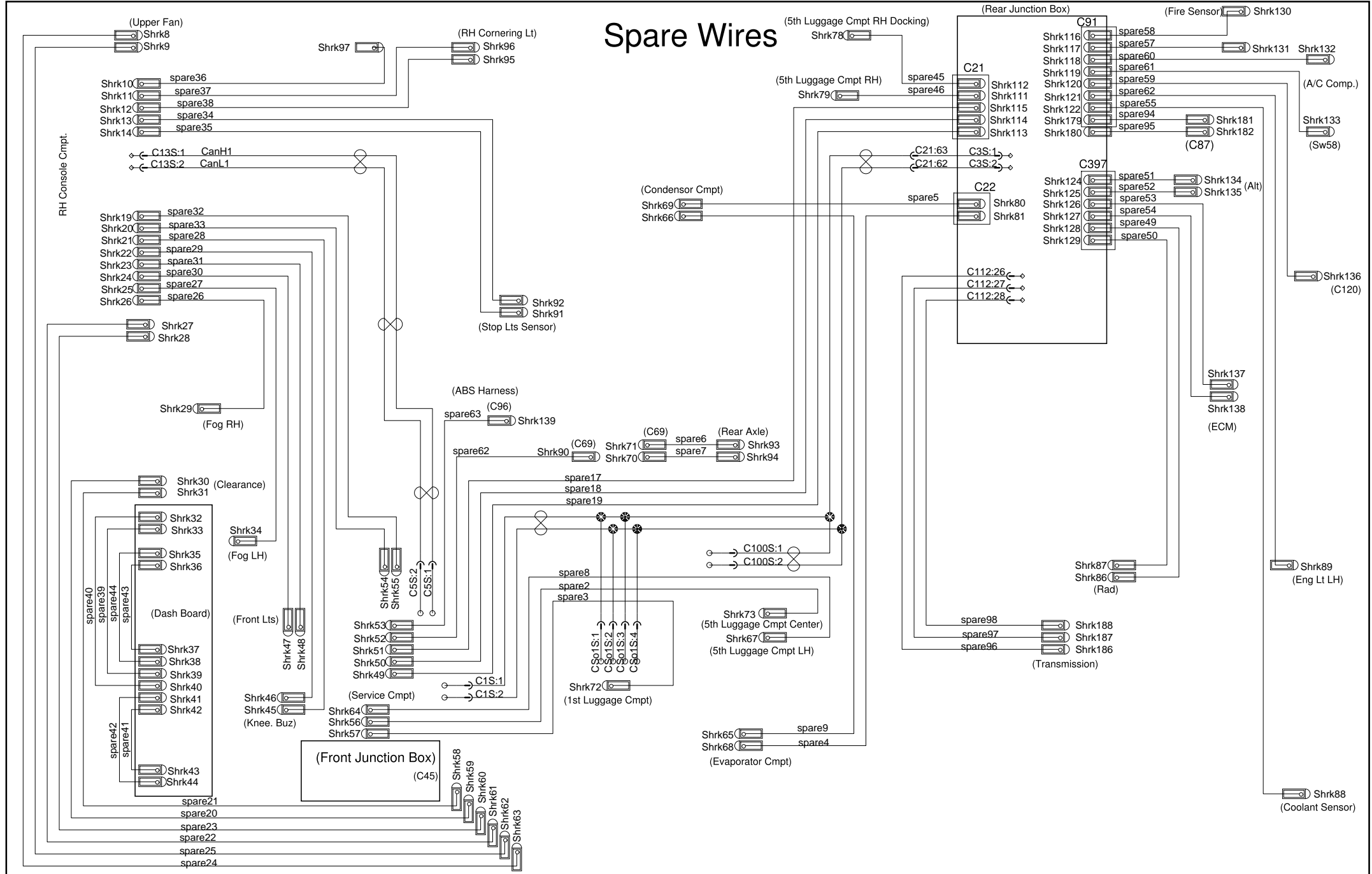
SlideOut



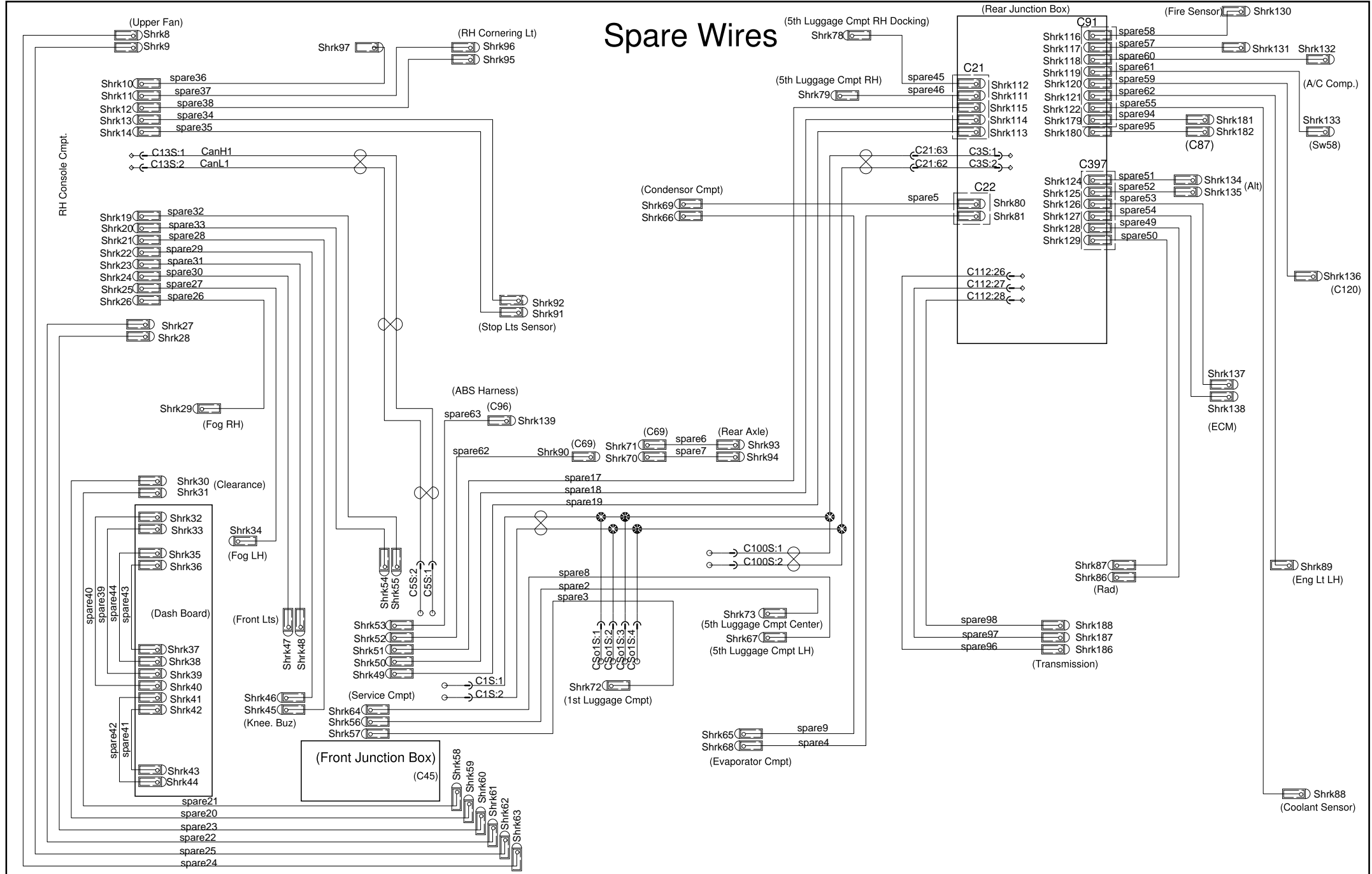
Rear Junction Box



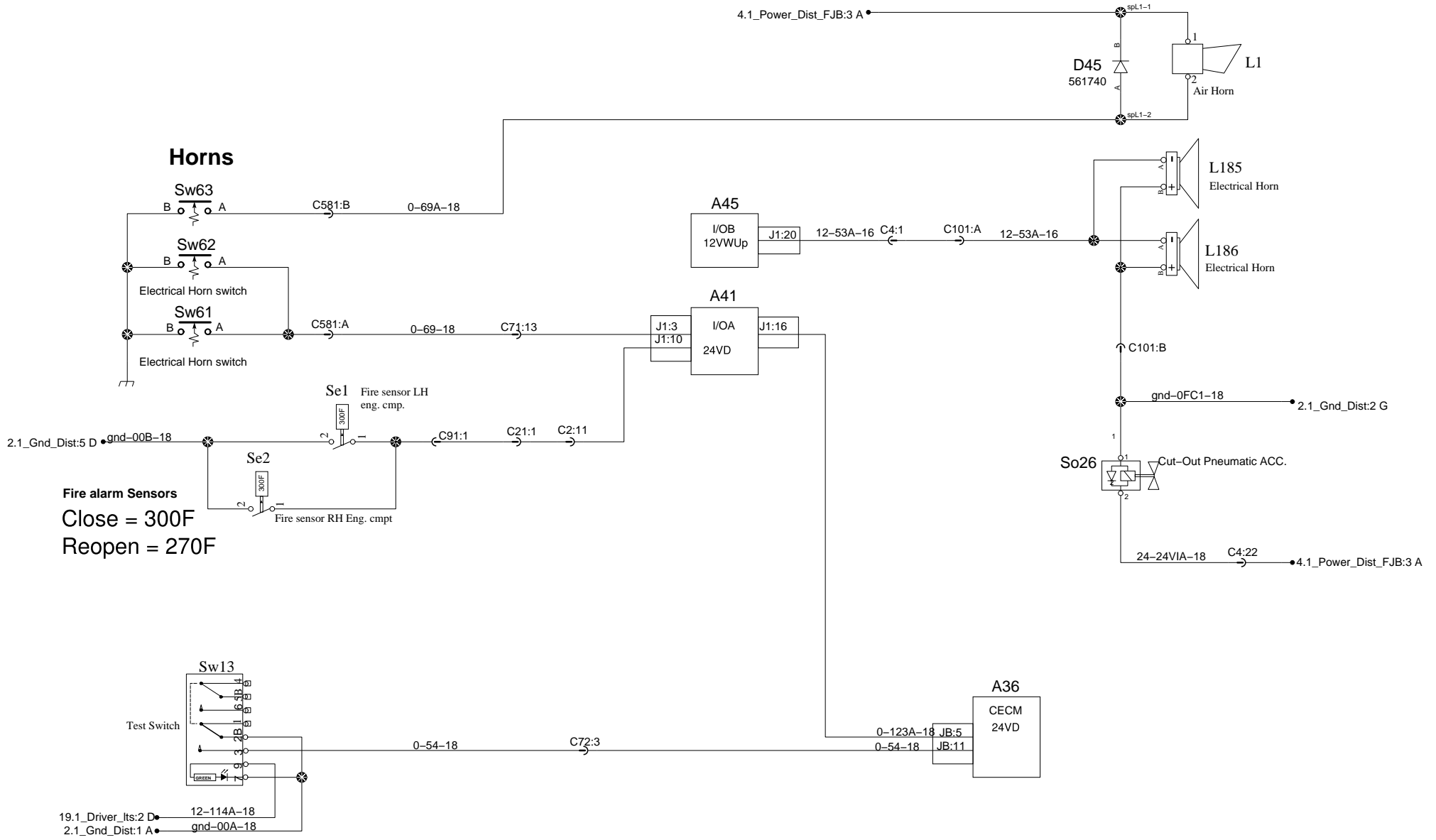
Spare Wires



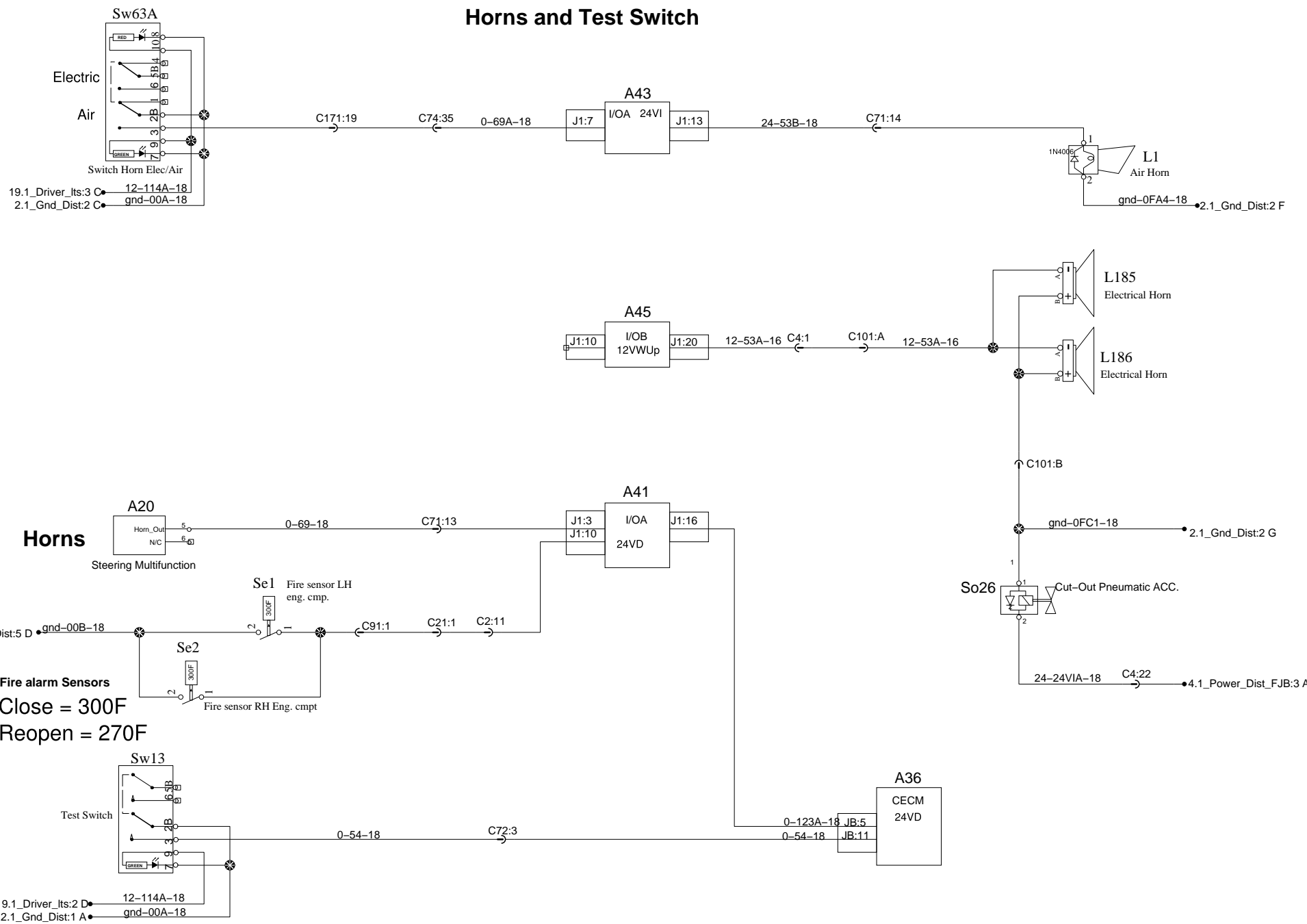
Spare Wires



Horns and Test Switch



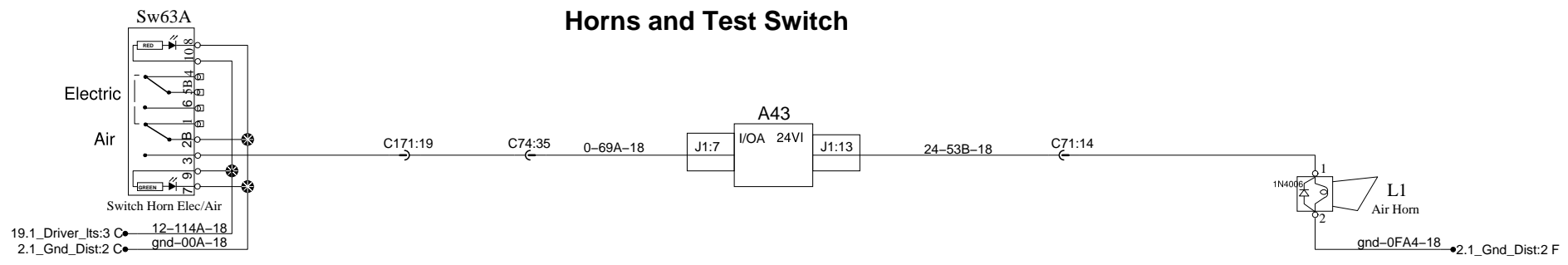
Horns and Test Switch



Horns and Test Switch

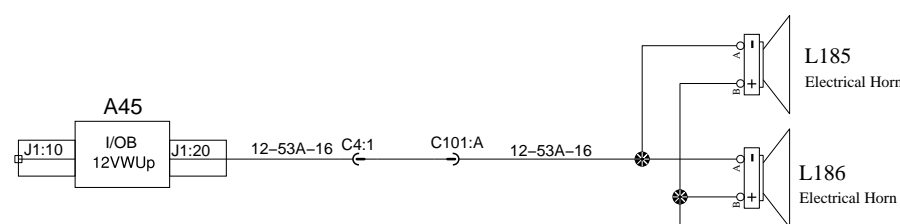
A

A



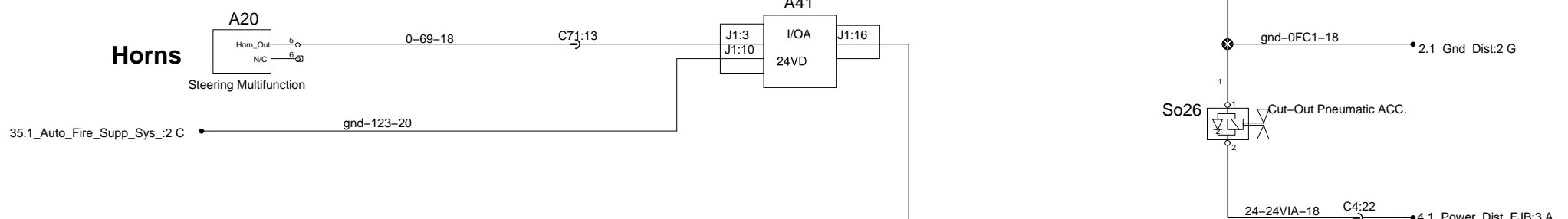
B

B



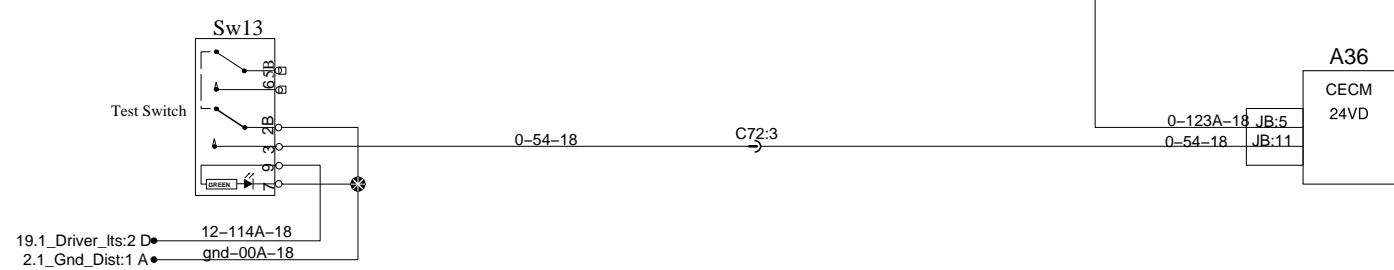
C

C



D

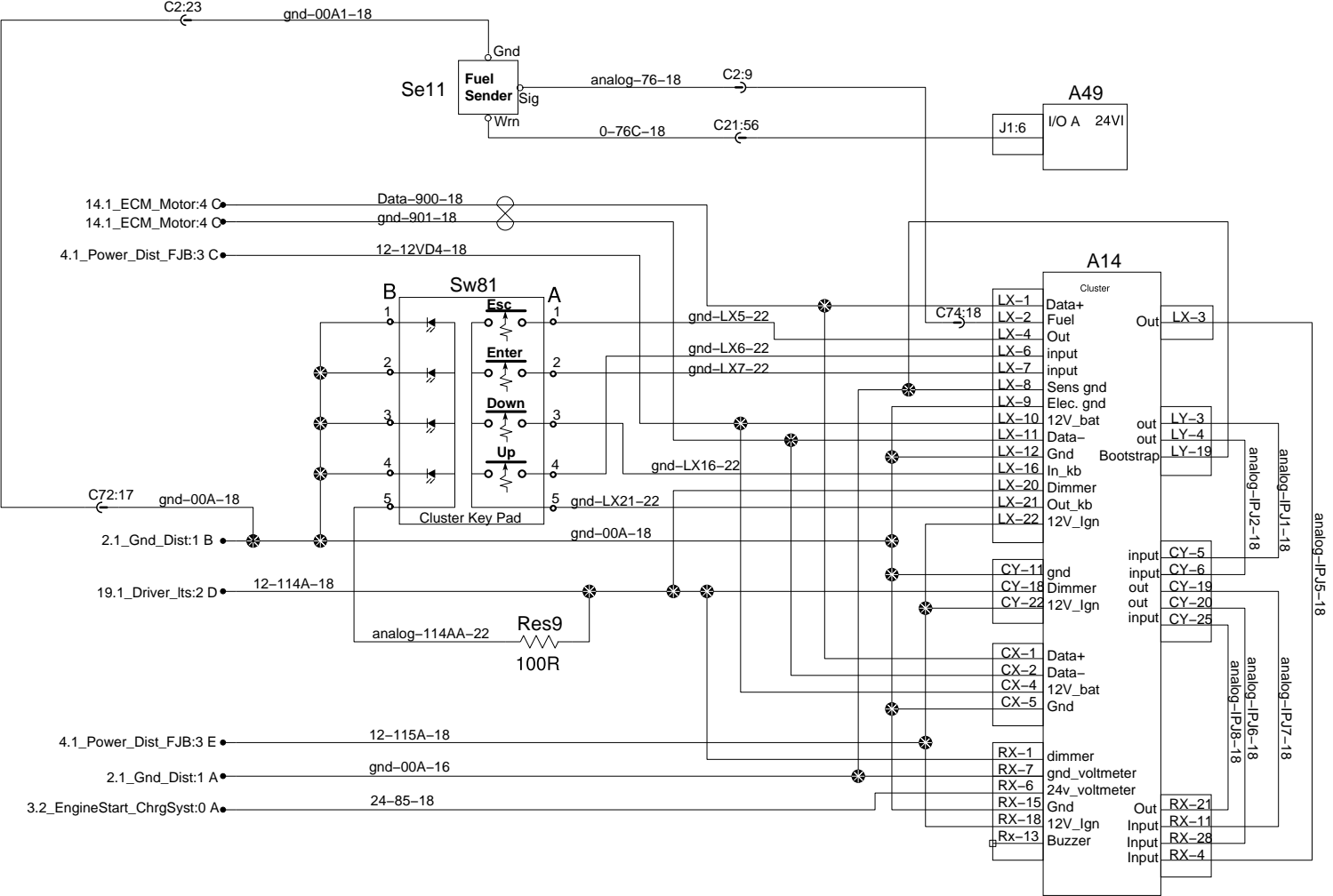
D



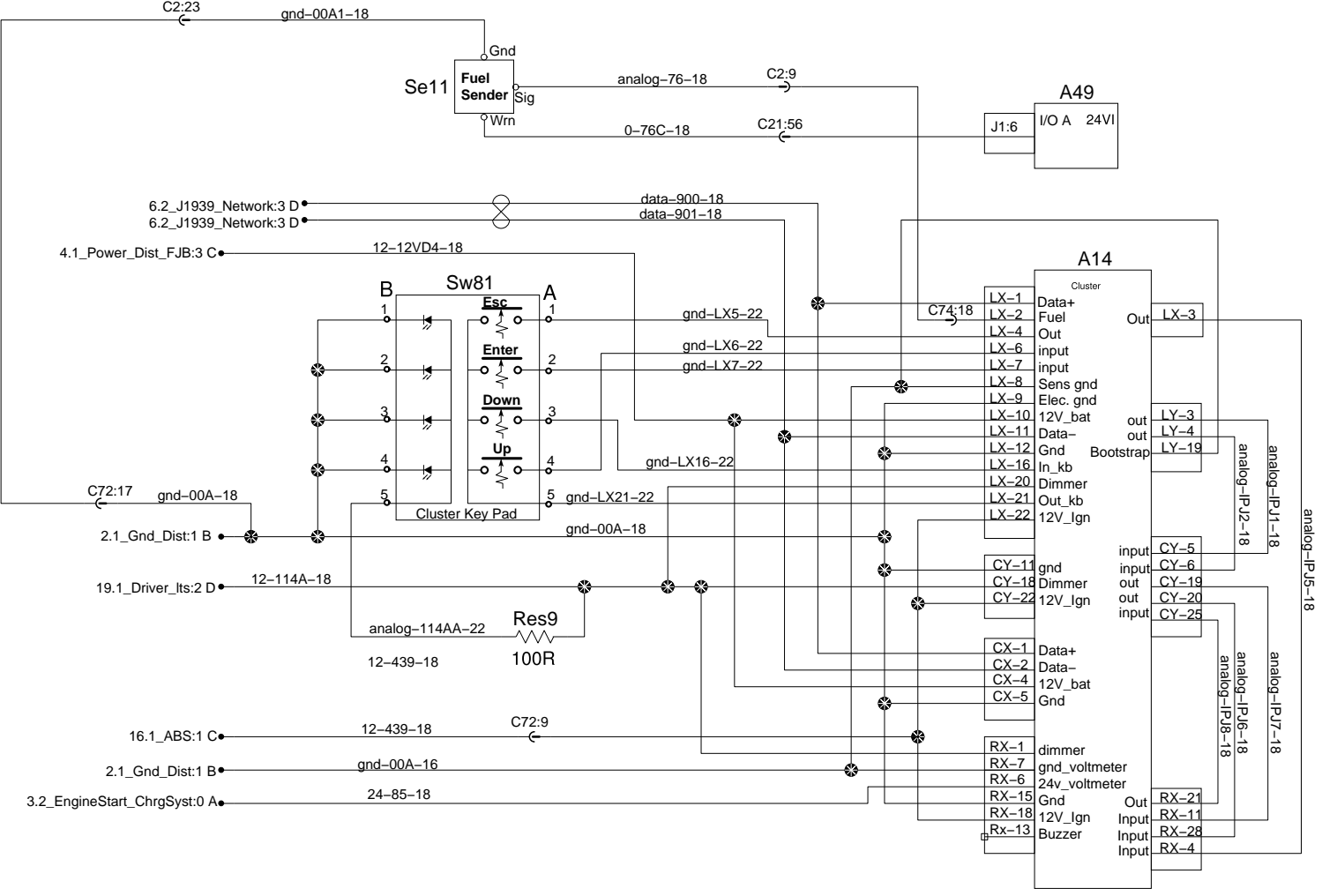
E

E

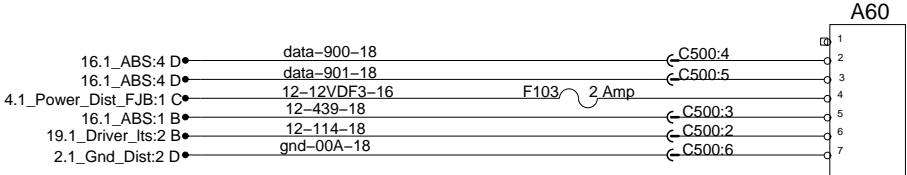
Cluster



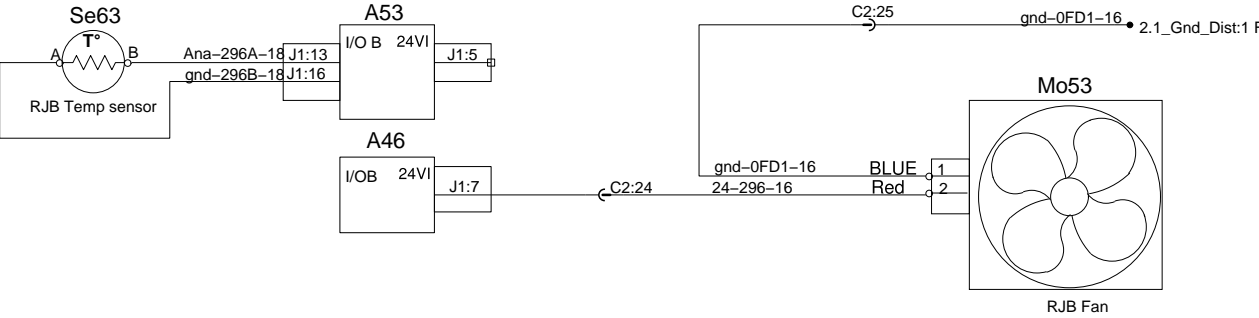
Cluster



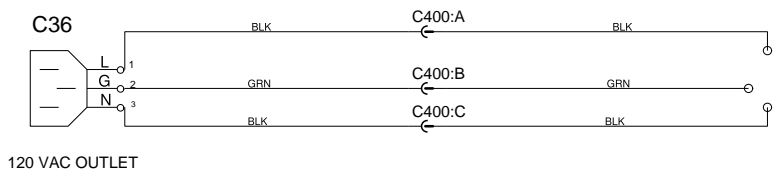
Pro-driver



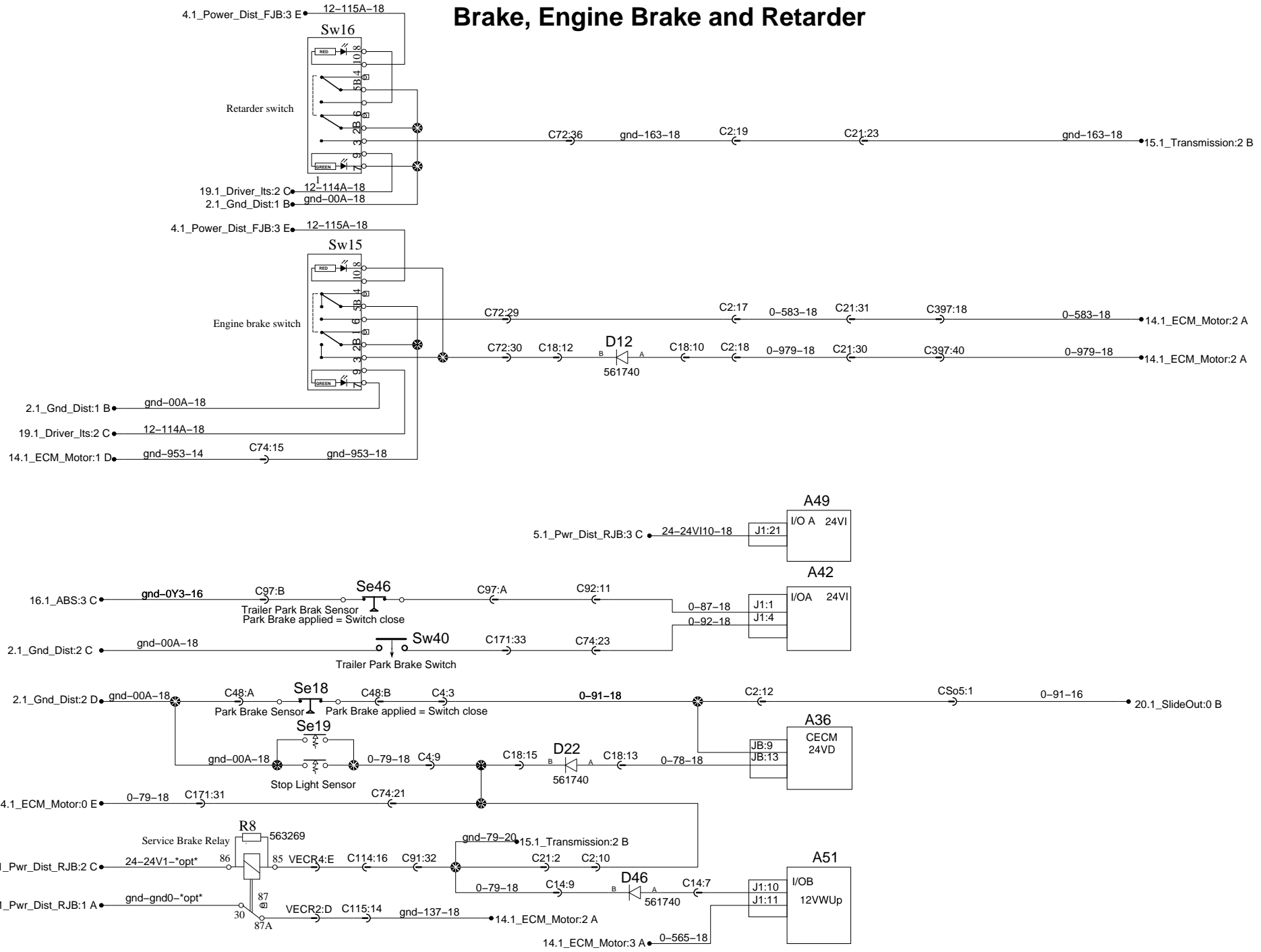
Rear Junction Box Fan



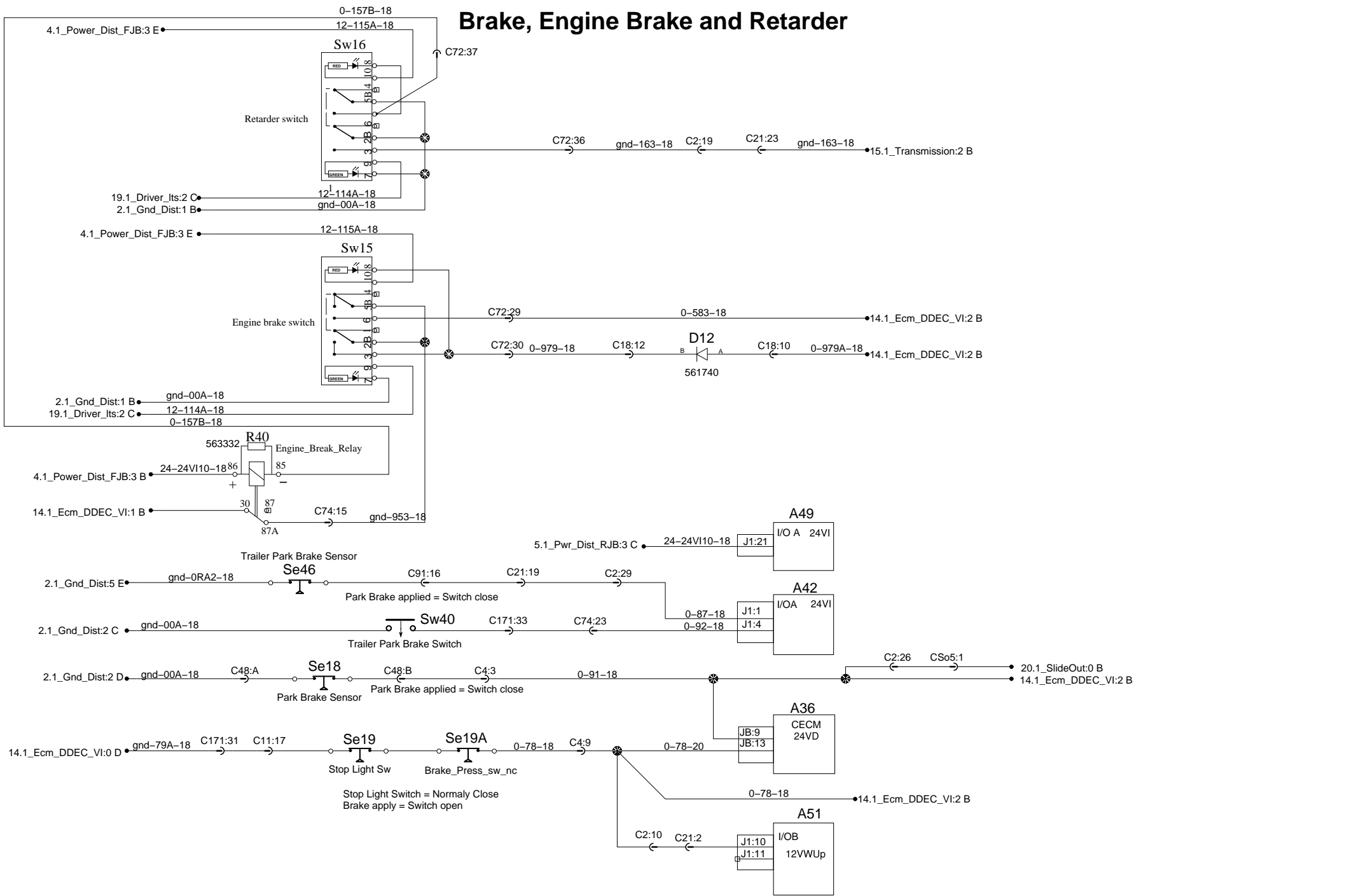
ENGINE BLOCK HEATER



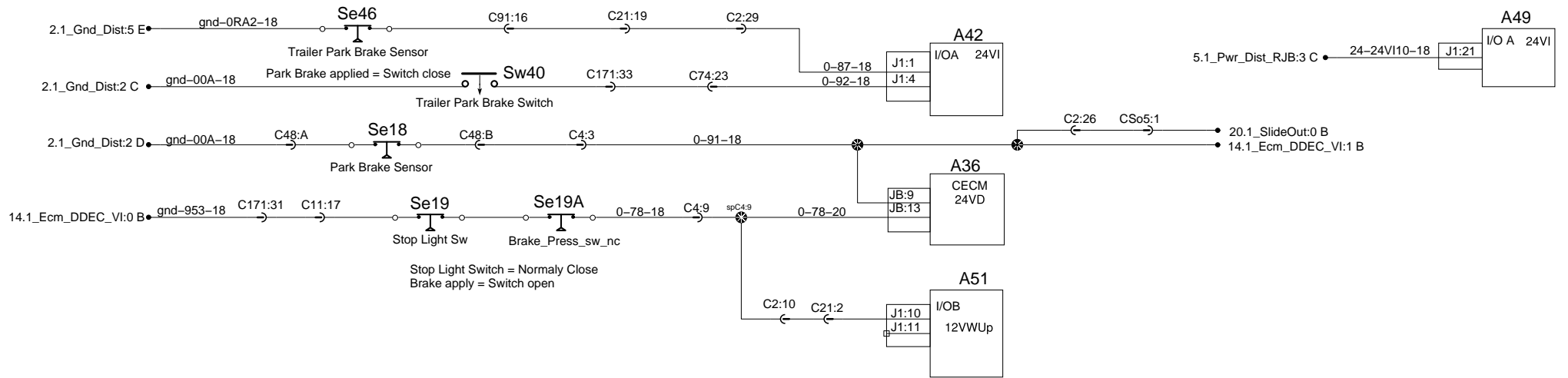
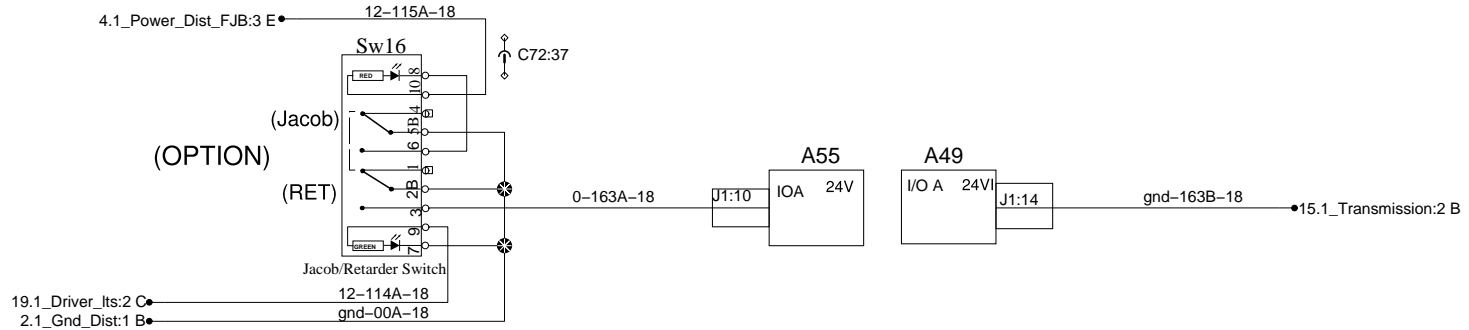
Brake, Engine Brake and Retarder



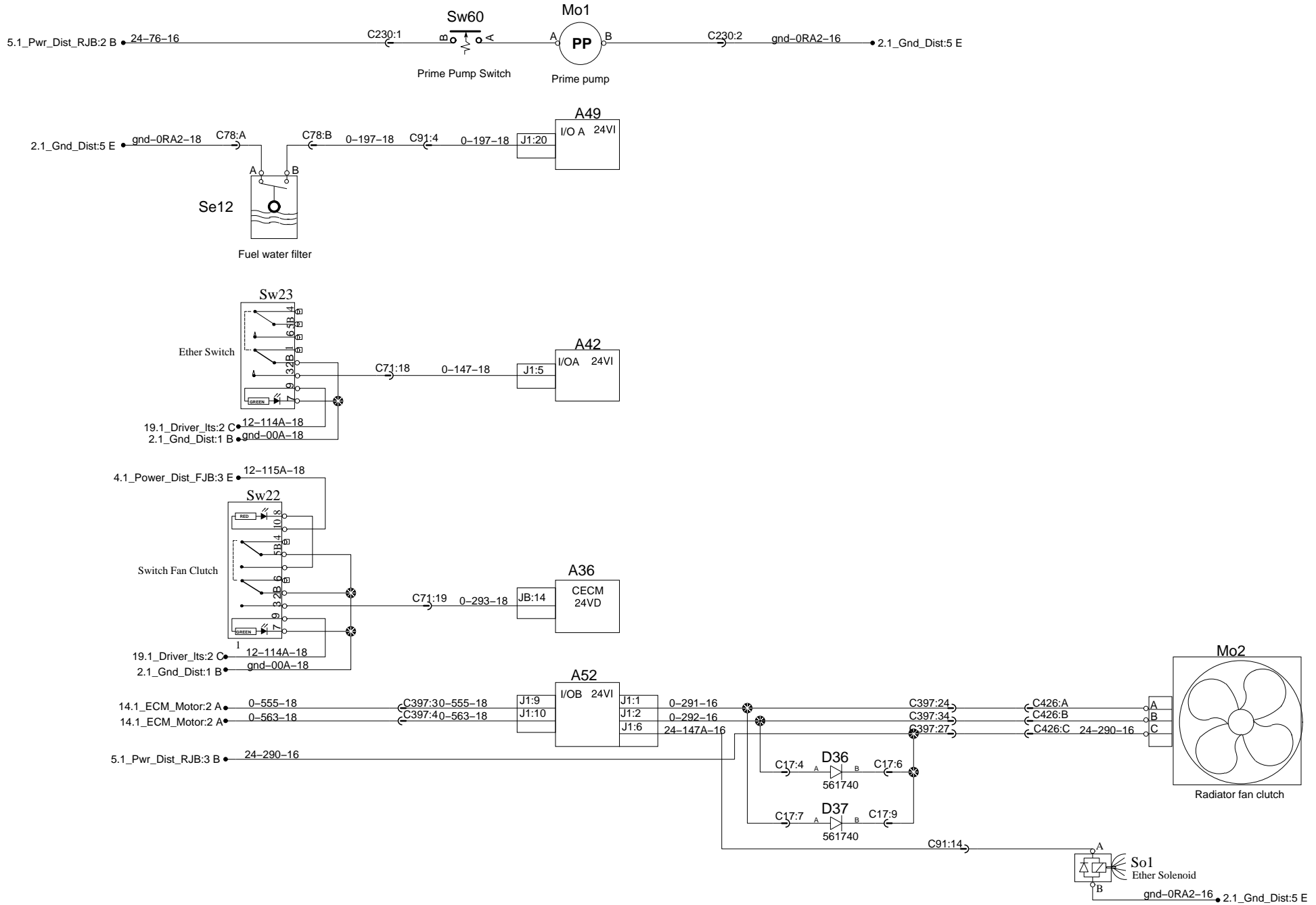
Brake, Engine Brake and Retarder



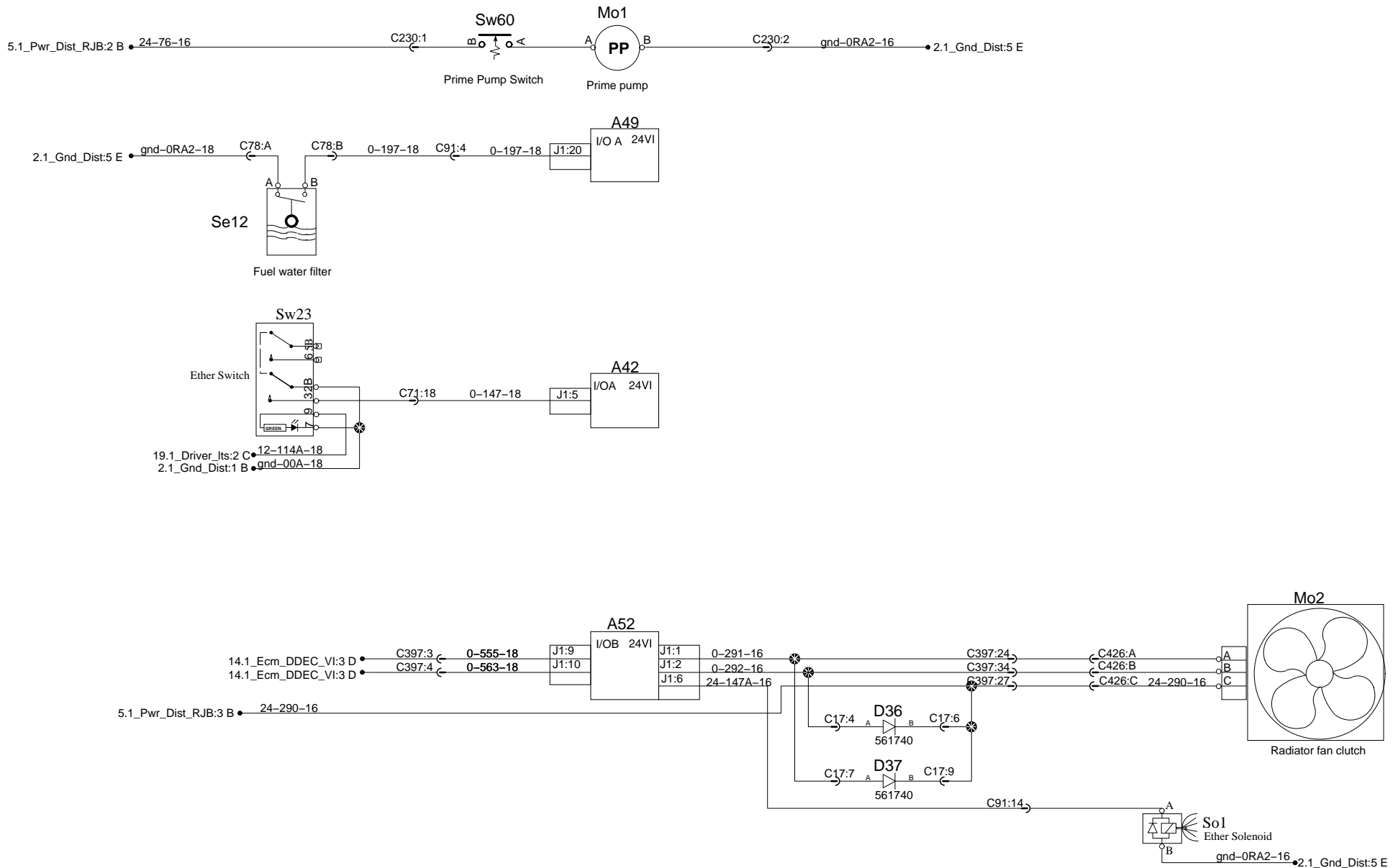
Brake, Engine Brake and Retarder



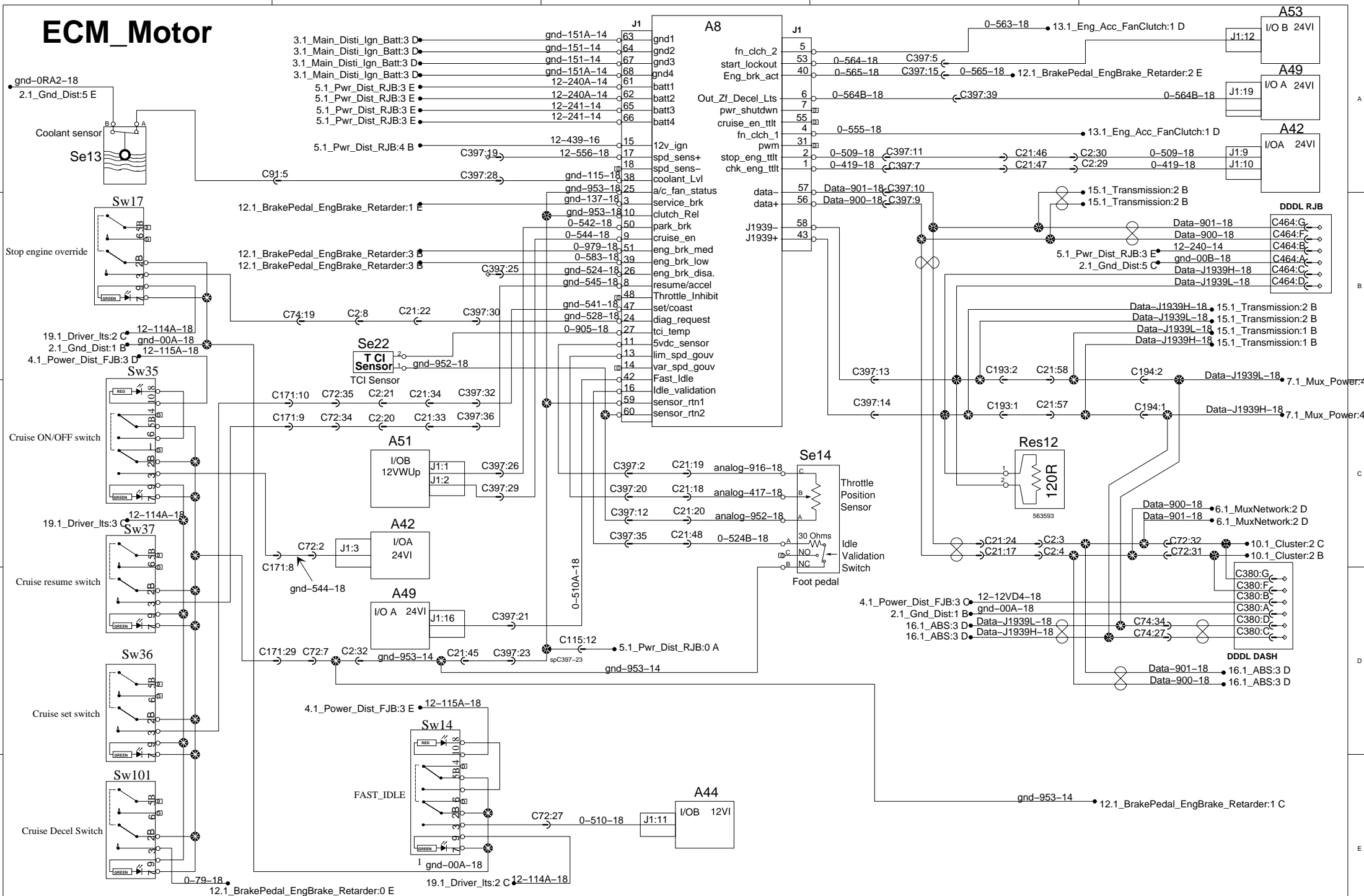
Prime Pump, Water Filter, Ether and Fan Clutch



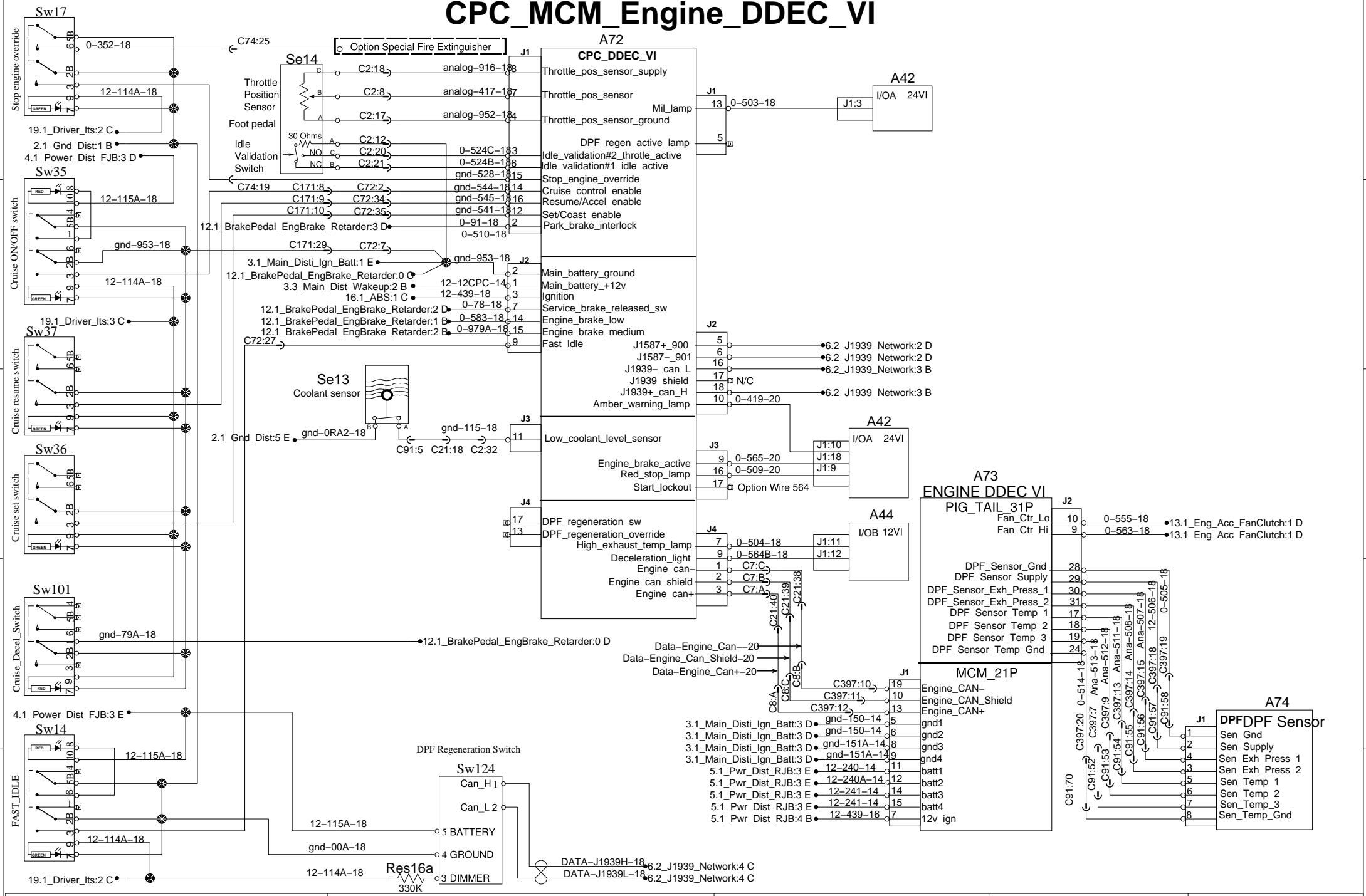
Prime Pump, Water Filter, Ether and Fan Clutch



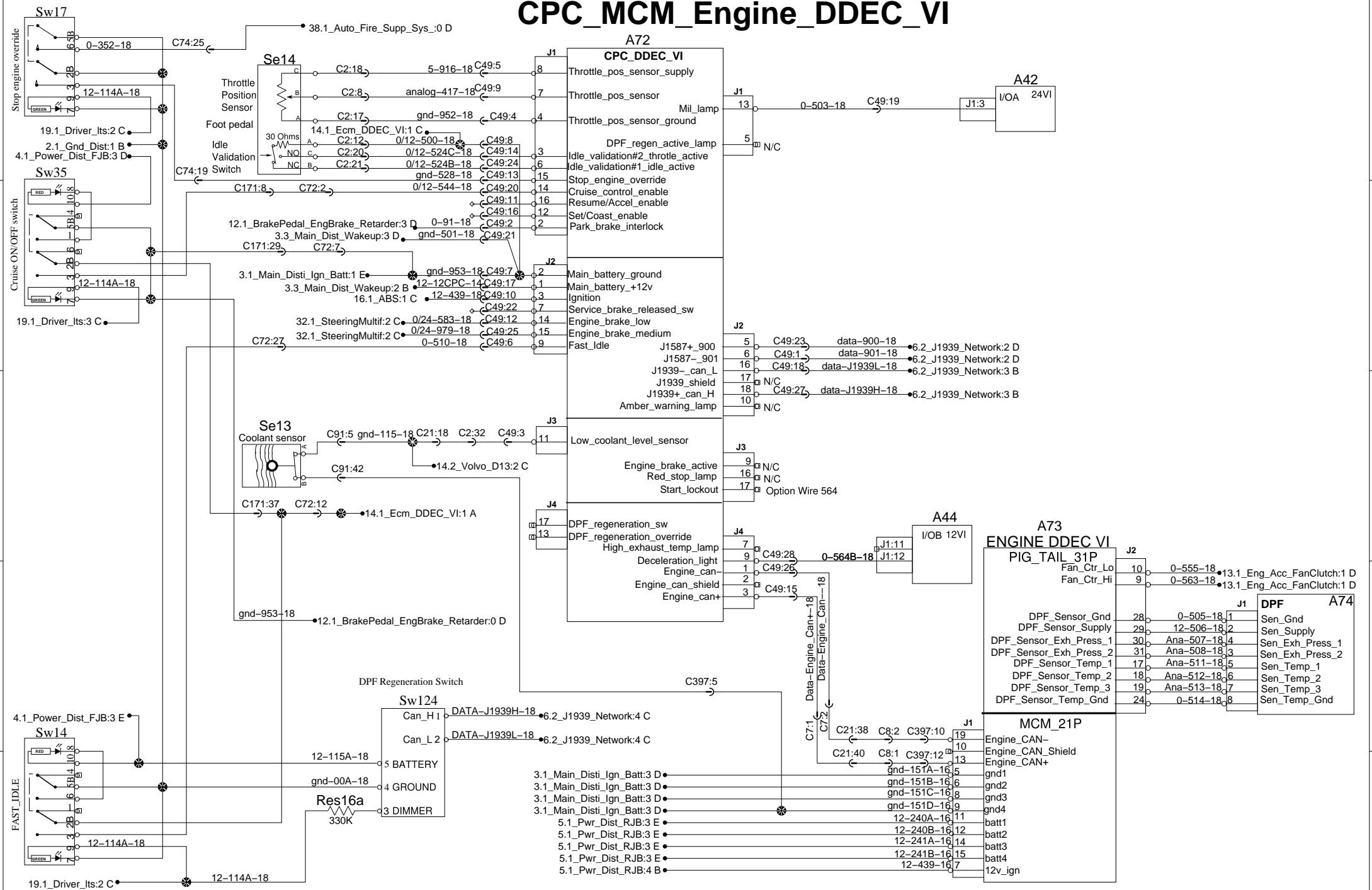
ECM_Motor



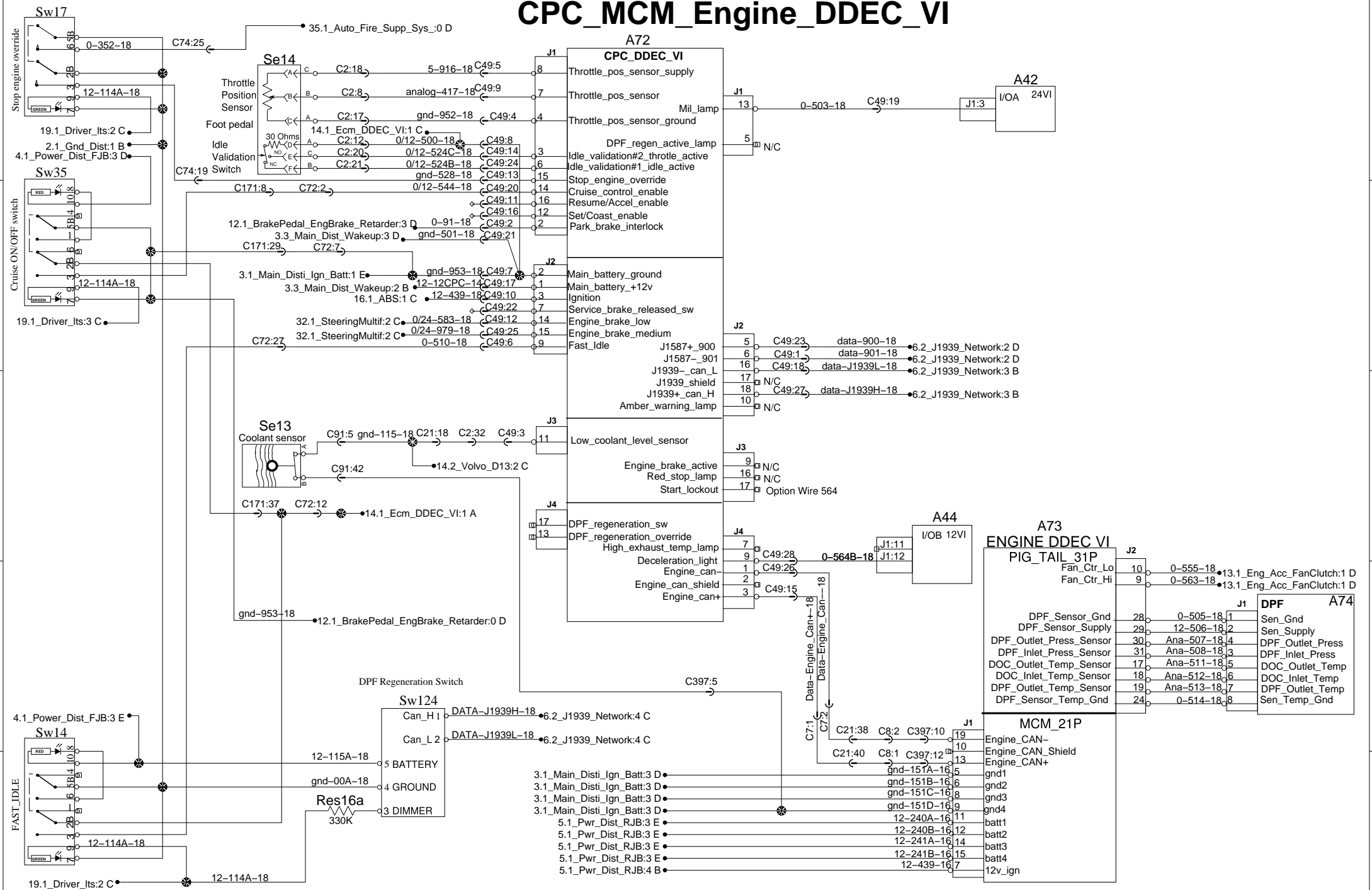
CPC_MCM_Engine_DDEC_VI

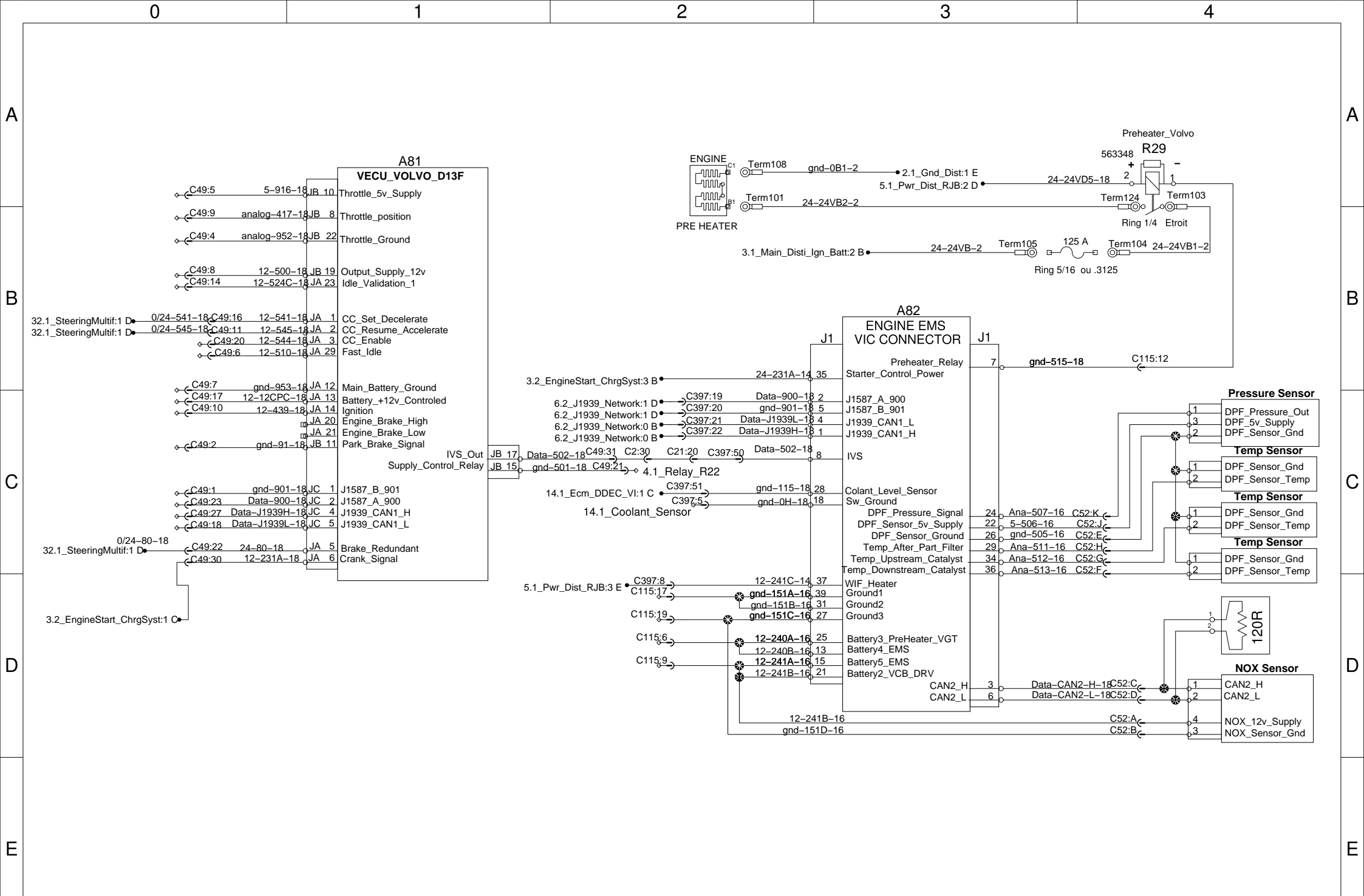


CPC_MCM_Engine_DDEC_VI

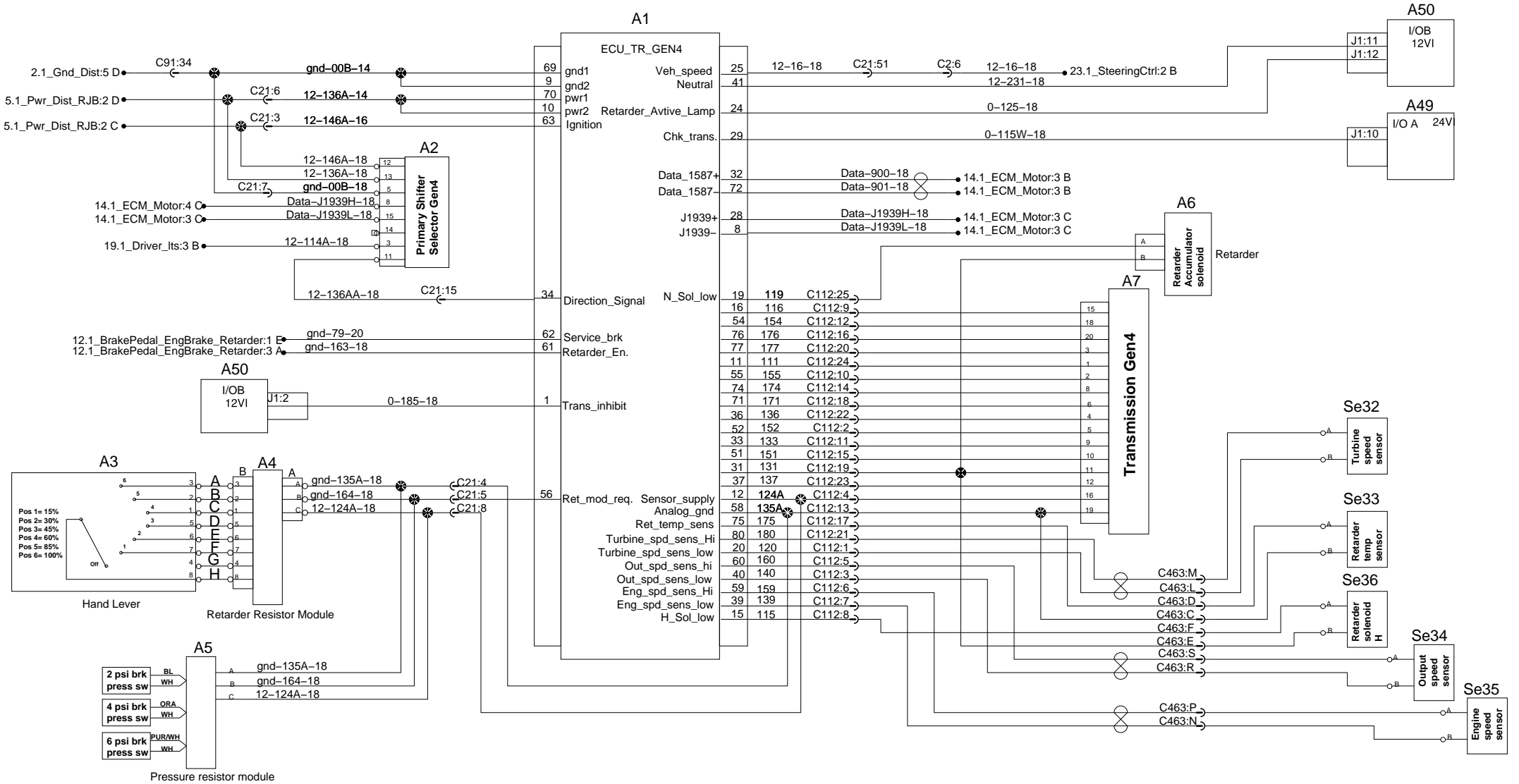


CPC_MCM_Engine_DDEC_VI

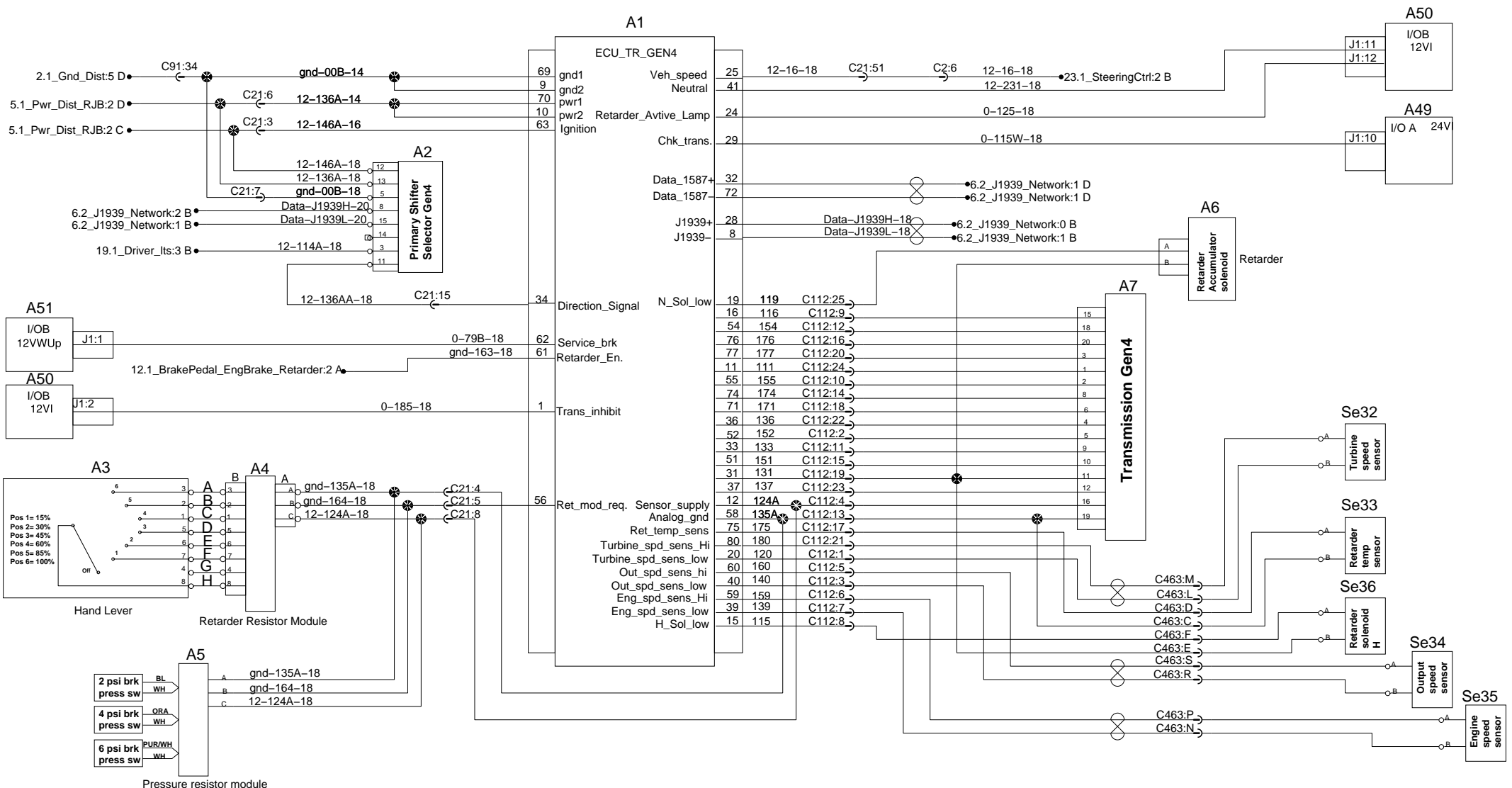




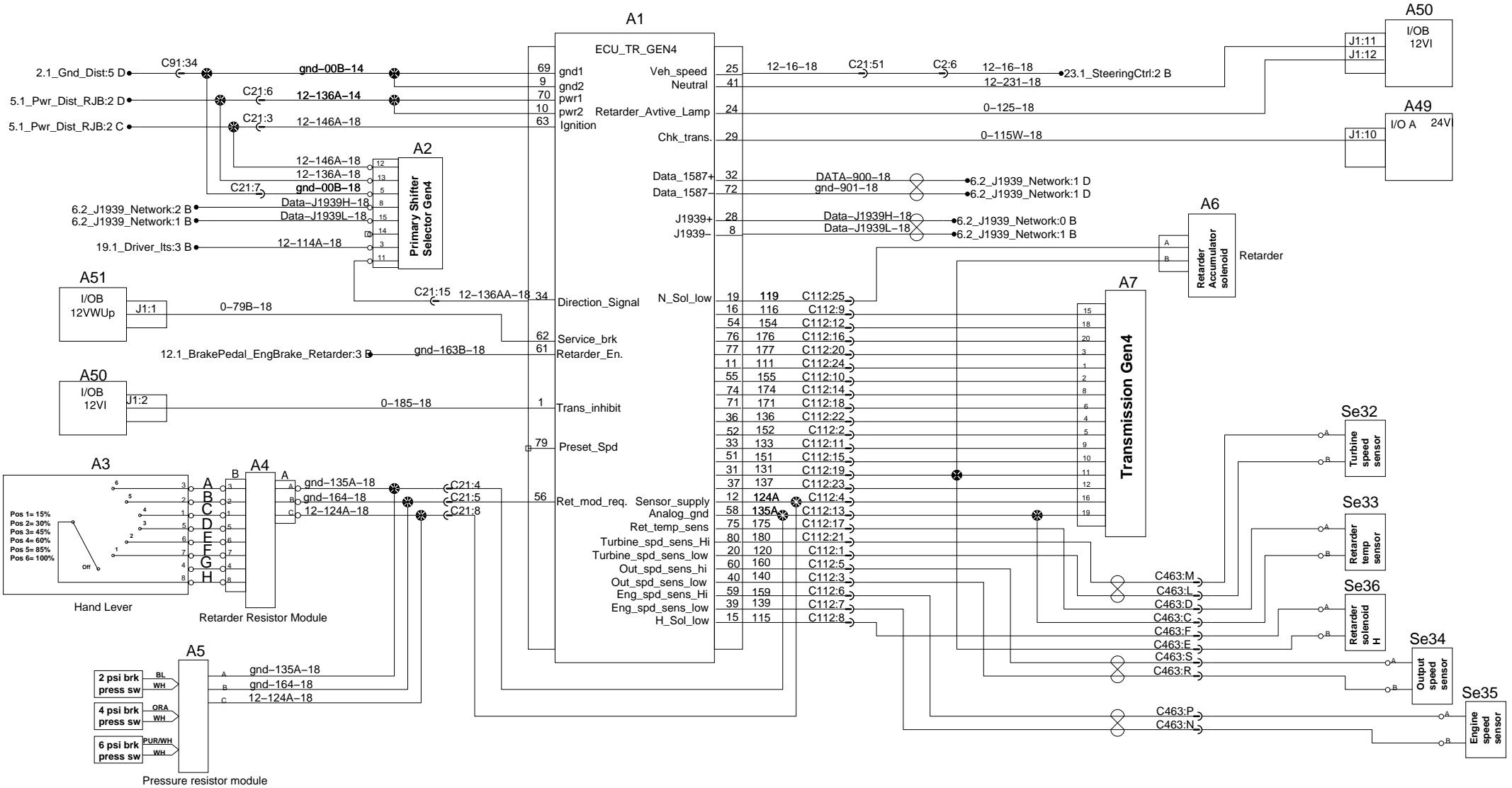
Transmission Allison Gen 4



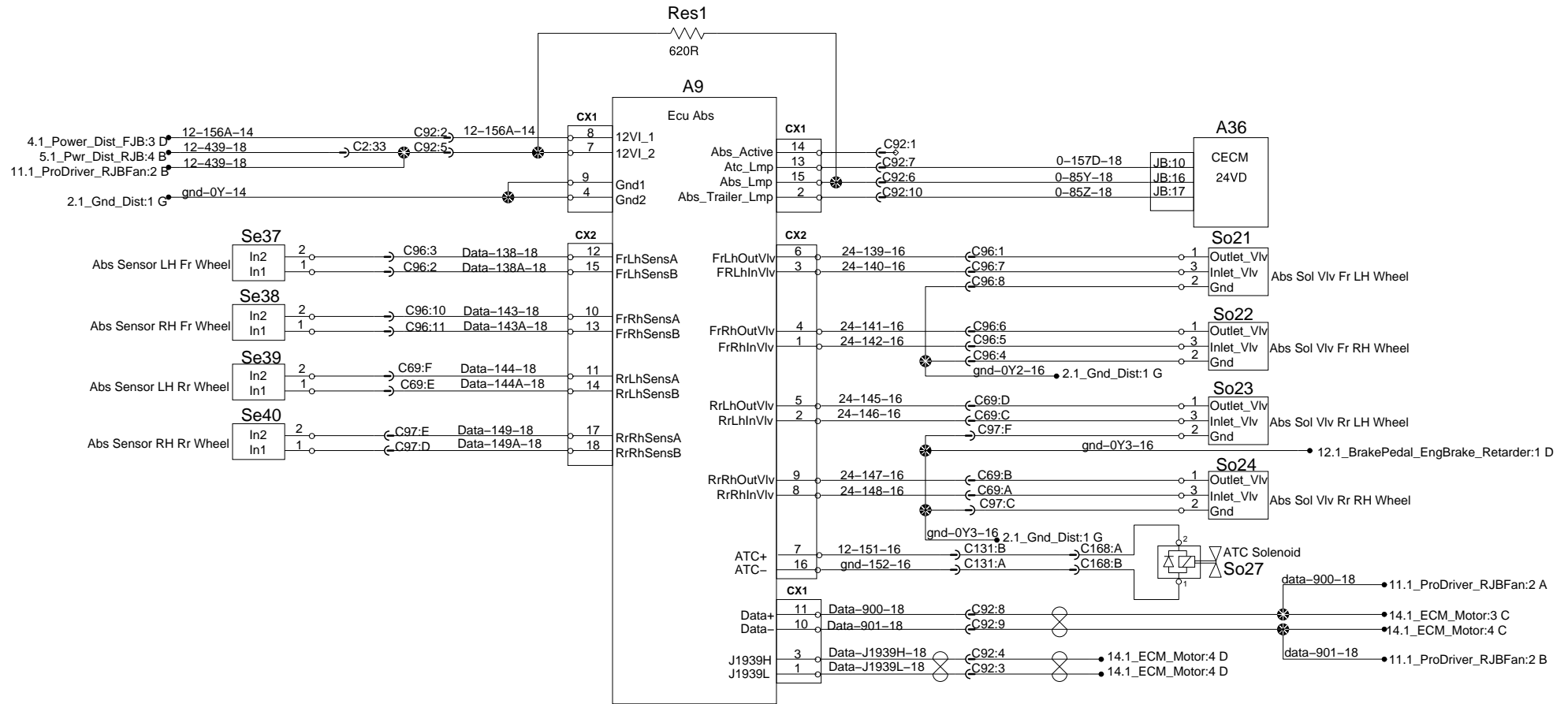
Transmission Allison Gen 4



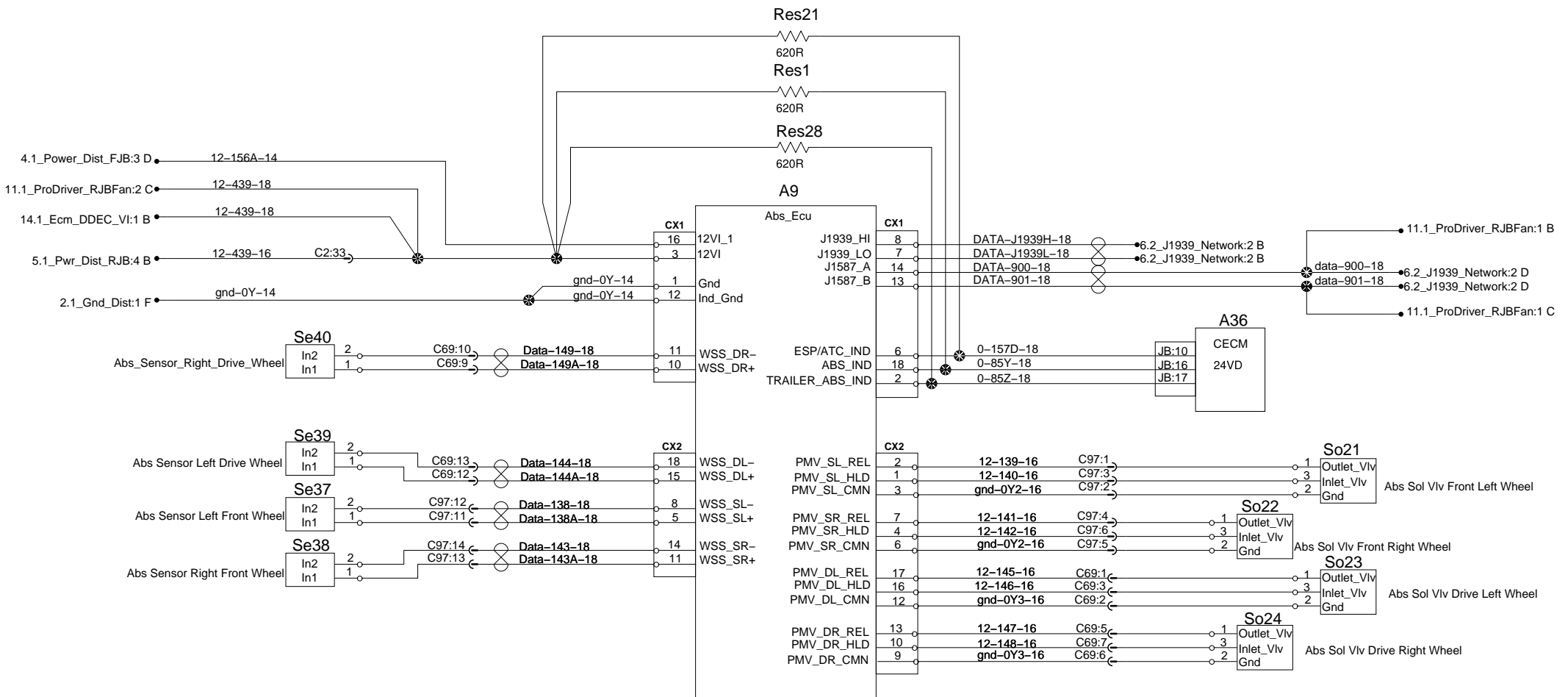
Transmission Allison Gen 4



ABS

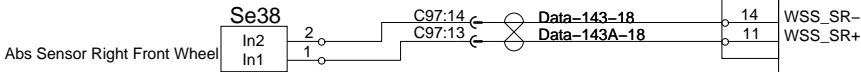
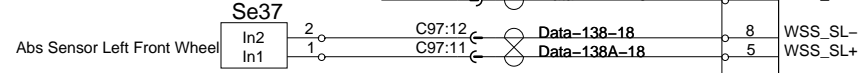
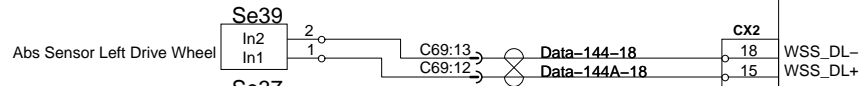
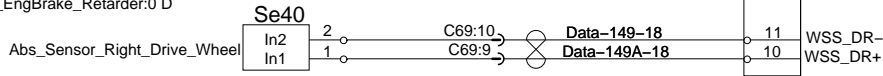
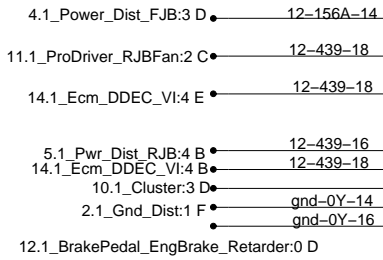
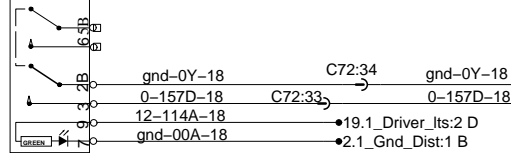


ABS

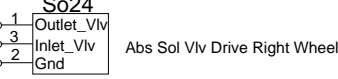
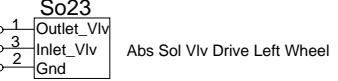
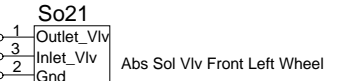
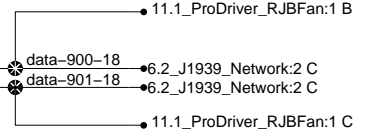
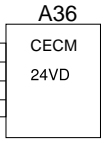
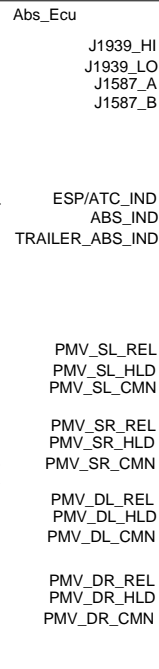


ABS

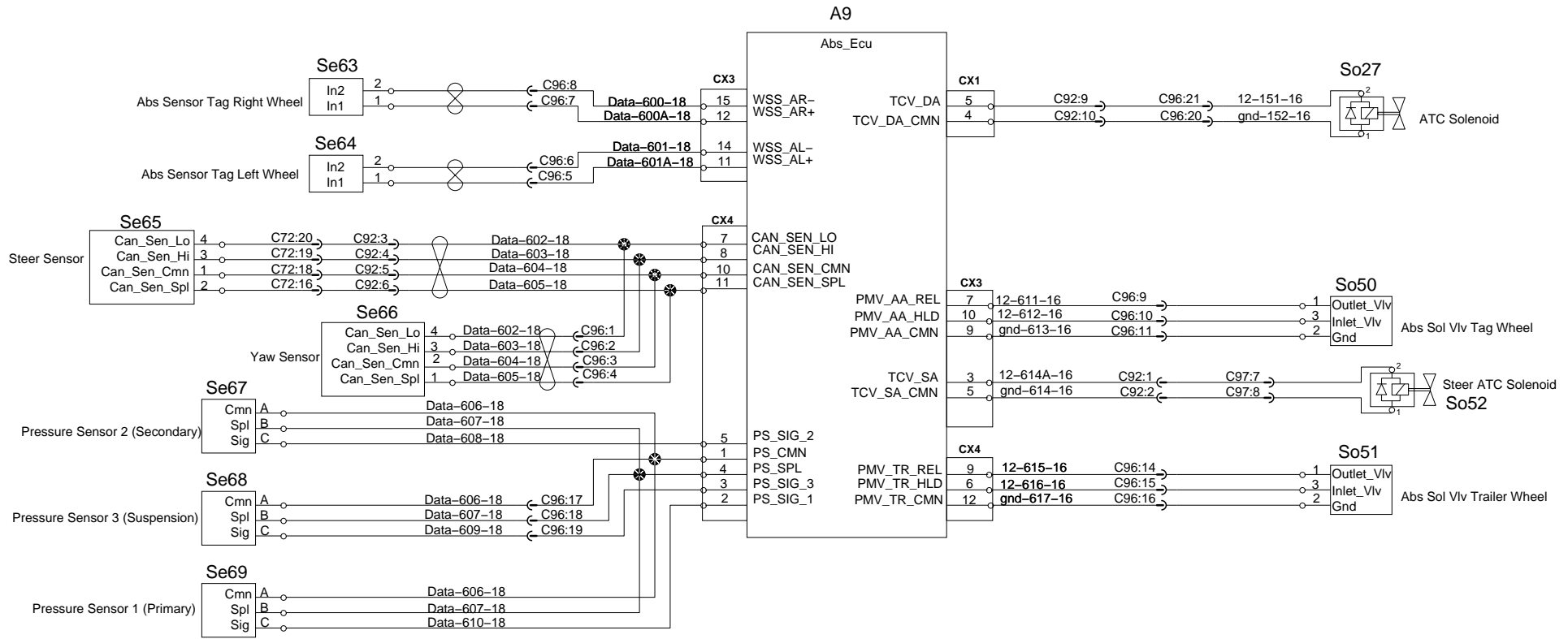
Snow_Mud
Sw137



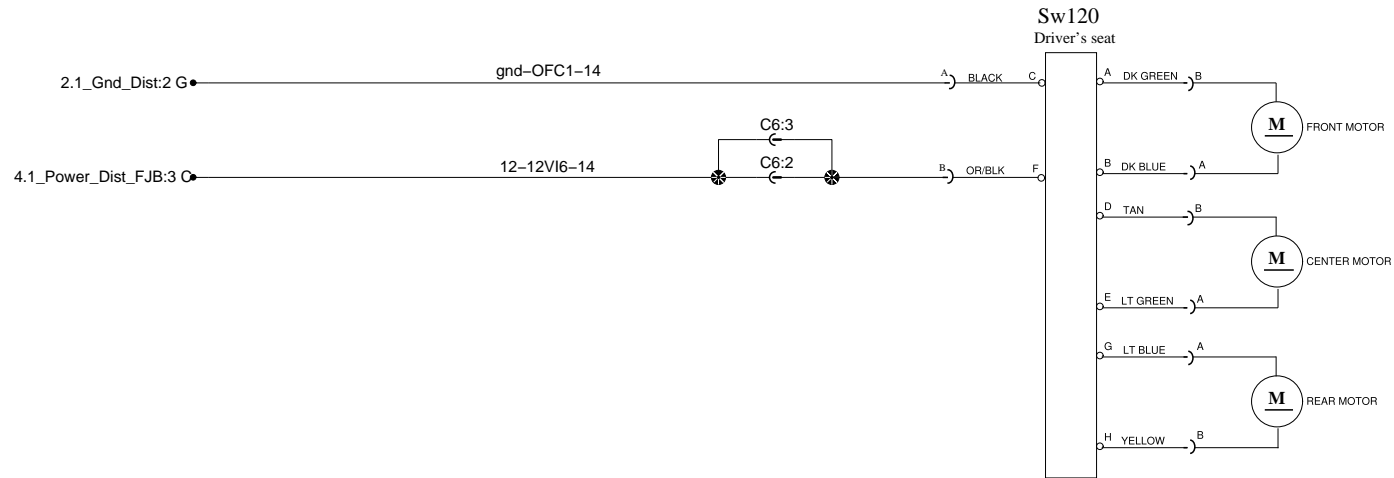
A9



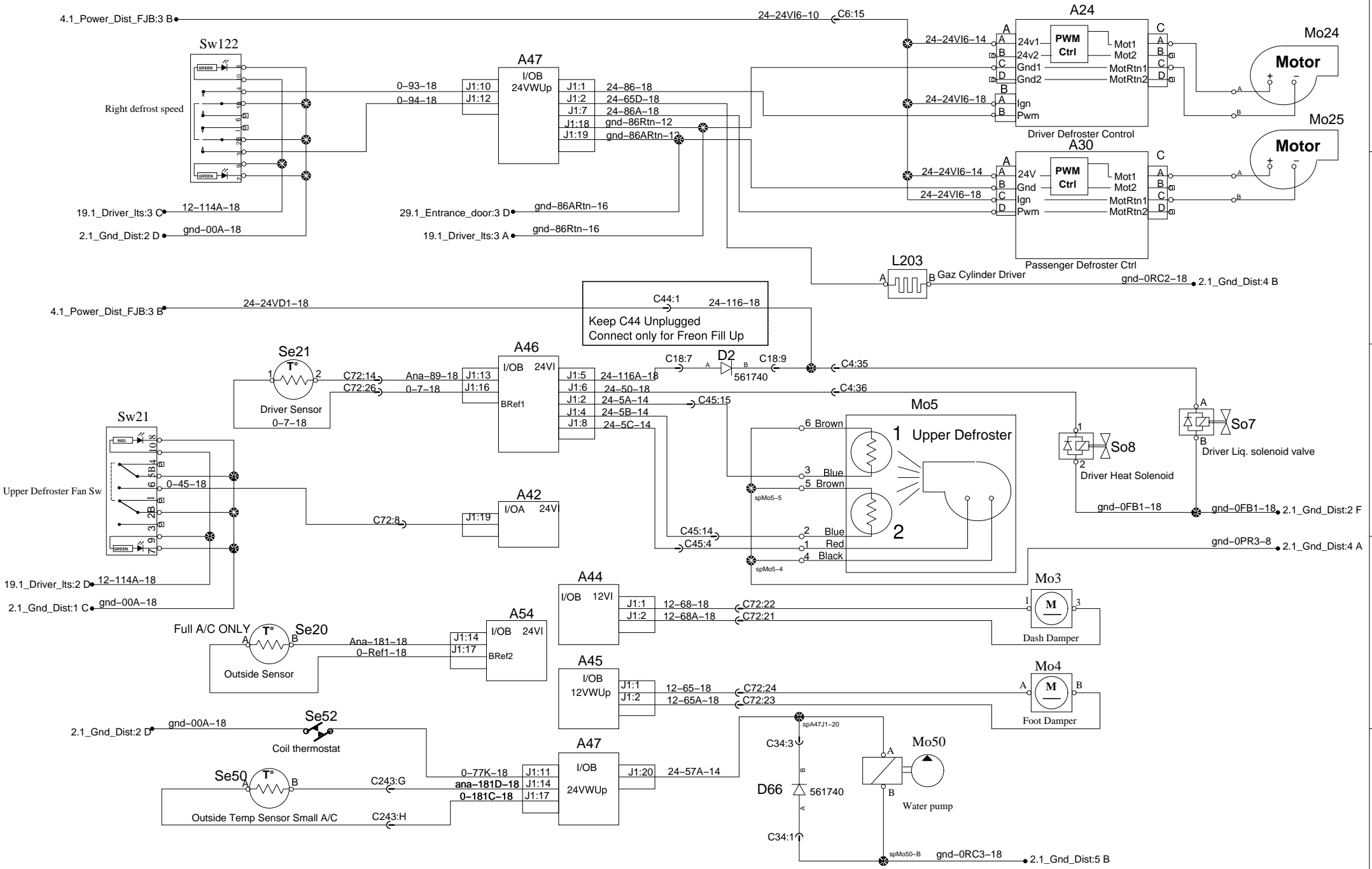
ABS ESP



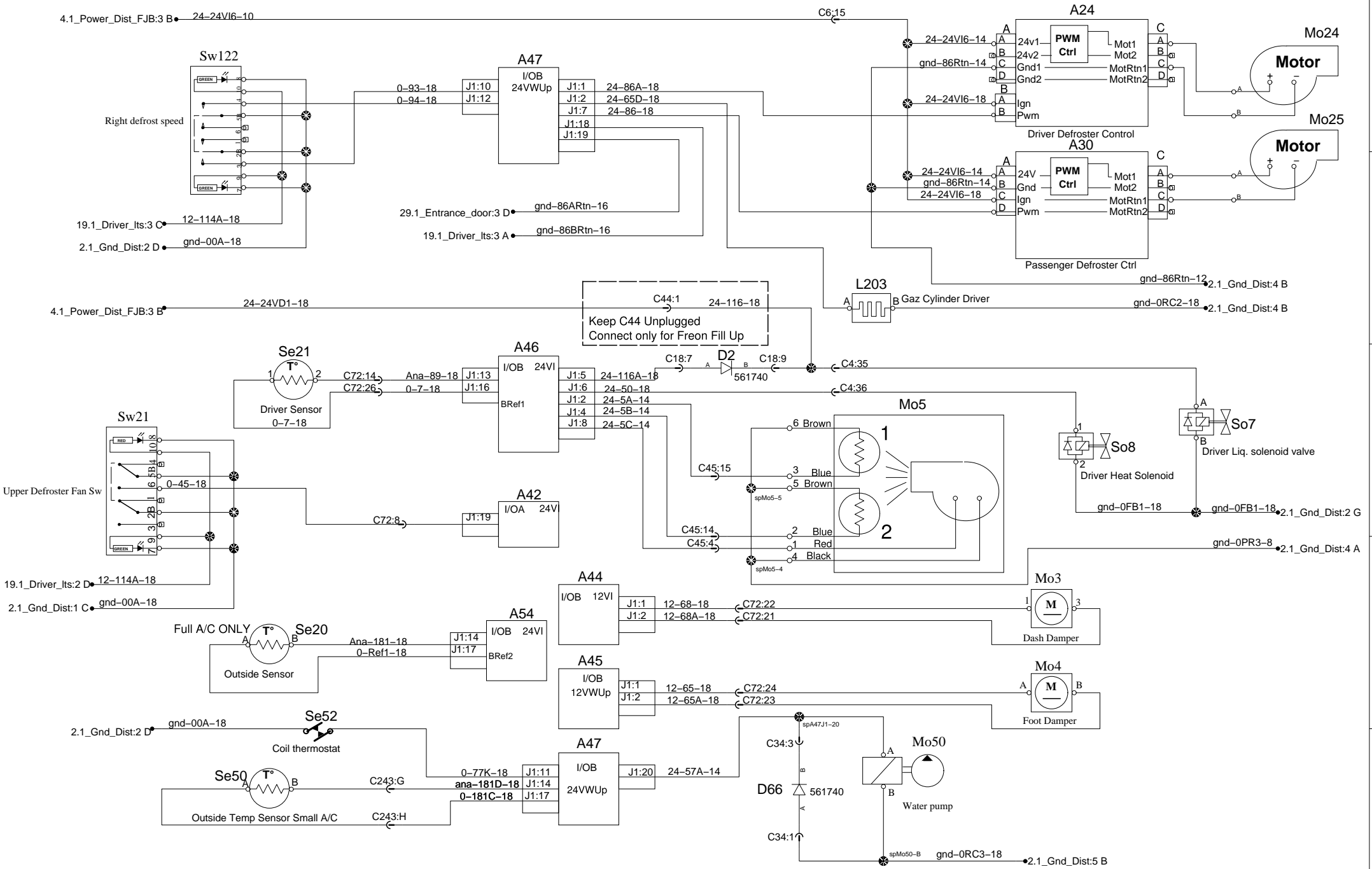
Driver seat



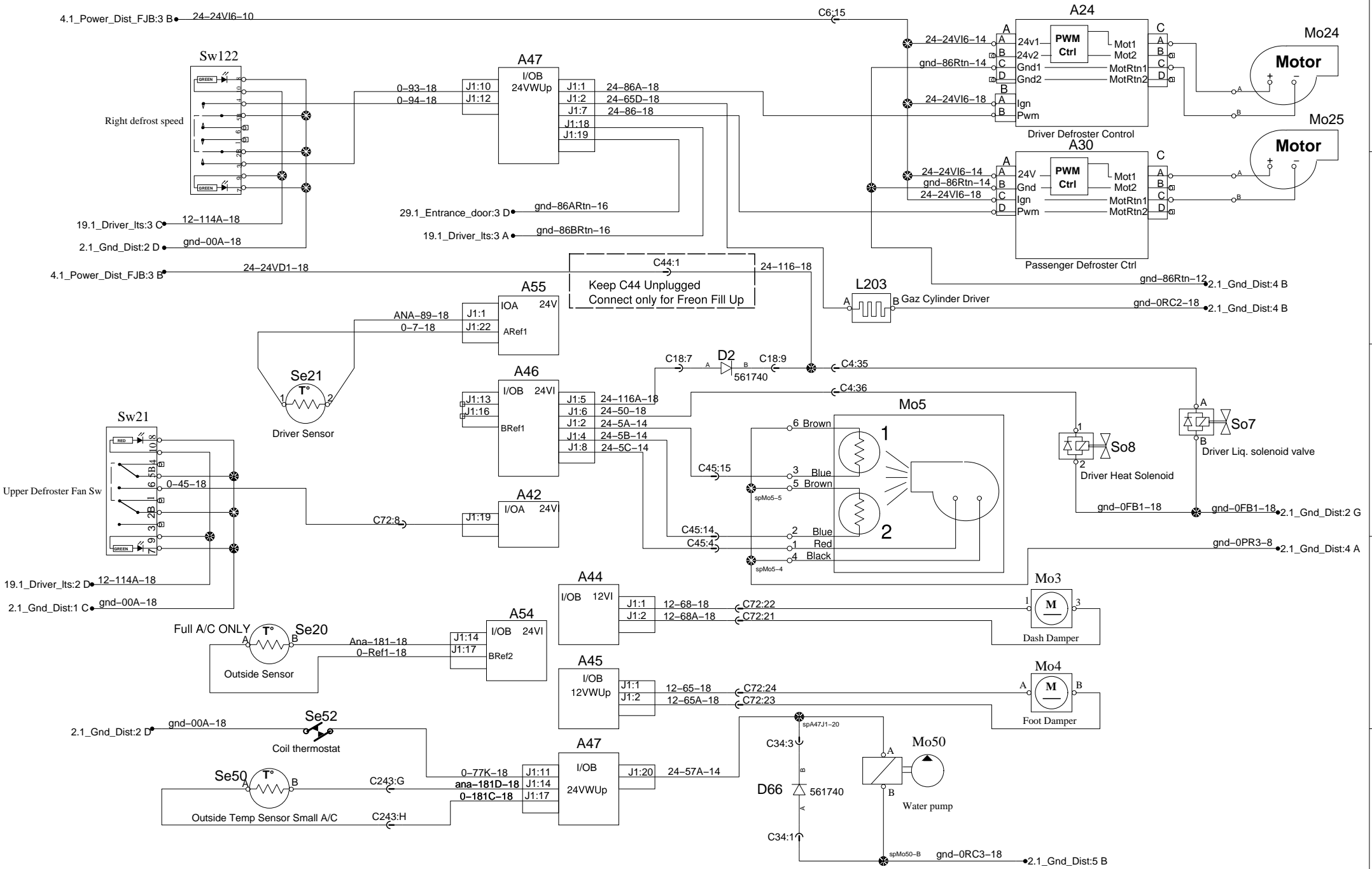
Hvac_Defroster



Hvac_Defroster



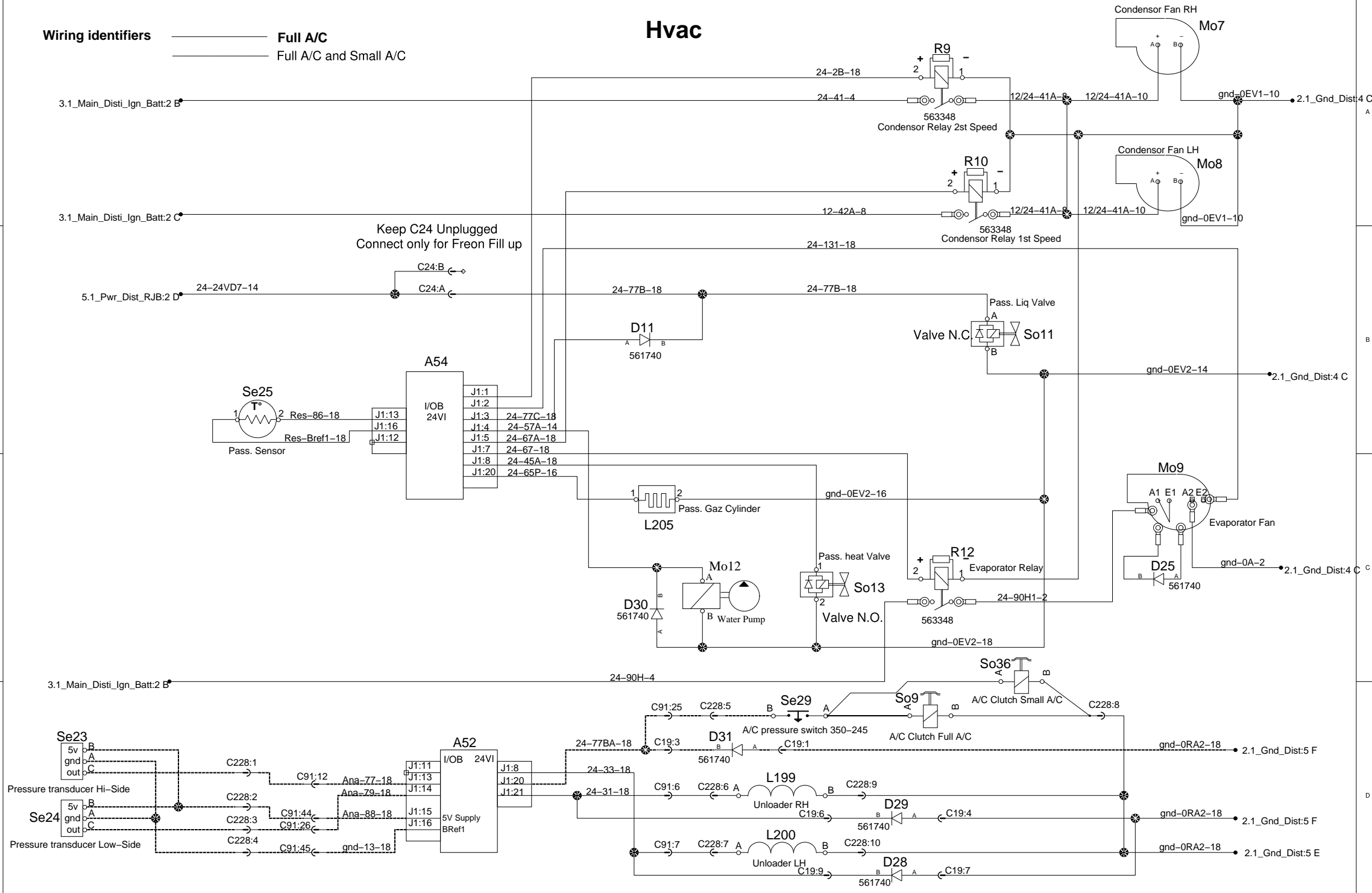
Hvac_Defroster



Hvac

Wiring identifiers

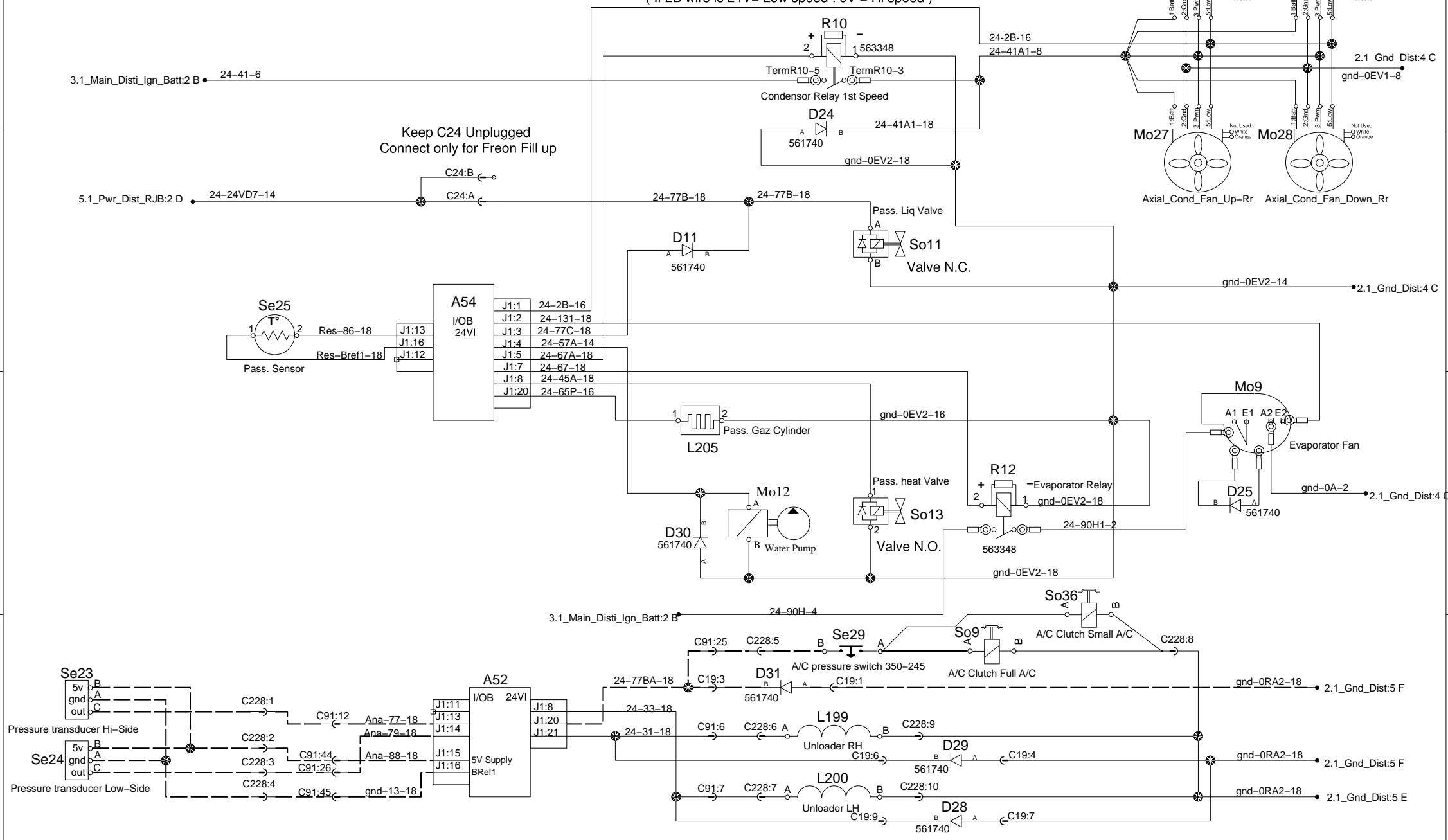
- Full A/C
- Full A/C and Small A/C



Hvac

Wiring identifiers
 ————— Full A/C
 - - - - - Full A/C and Small A/C

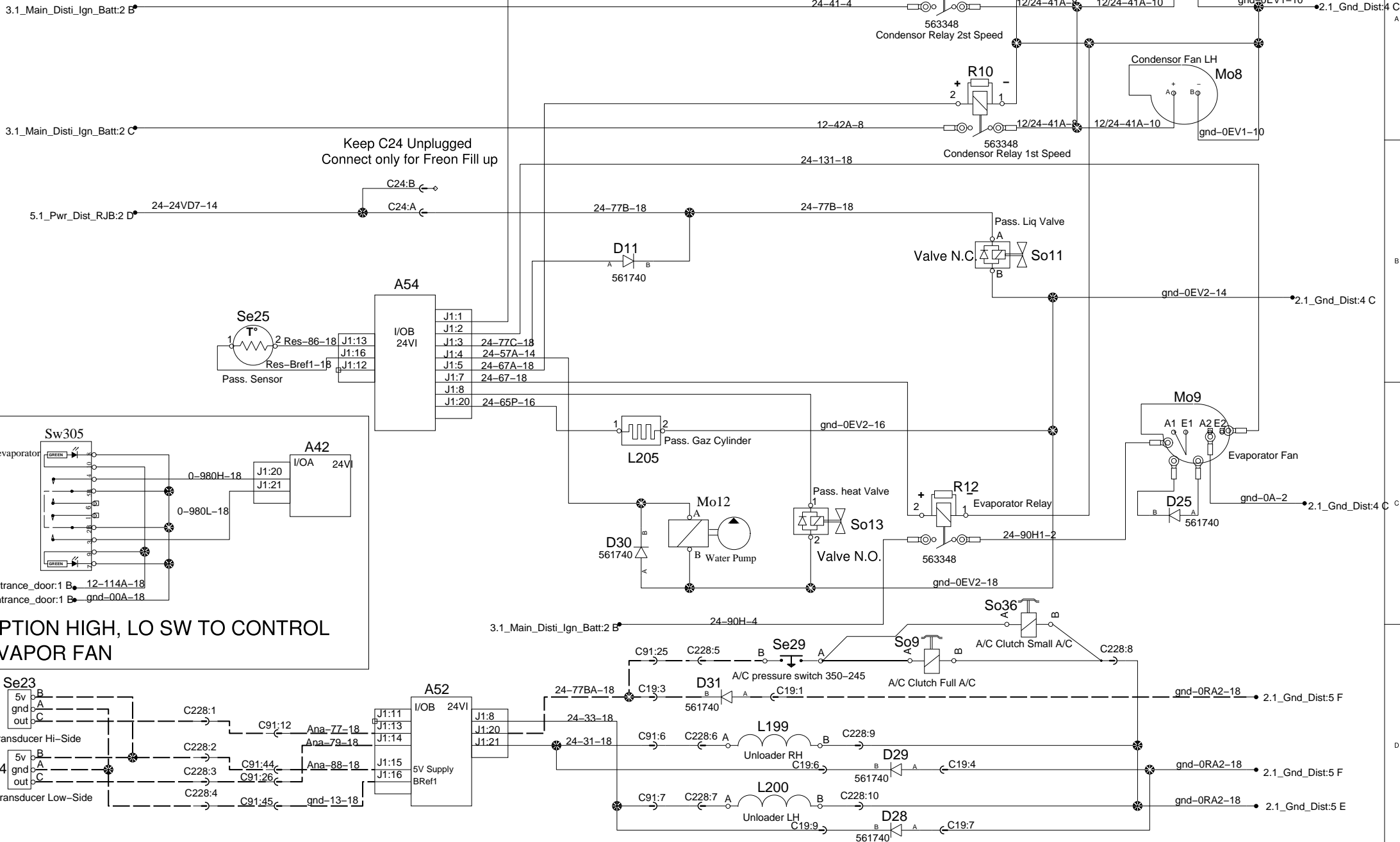
(If 2B wire is 24V= Low speed : 0V = Hi speed)



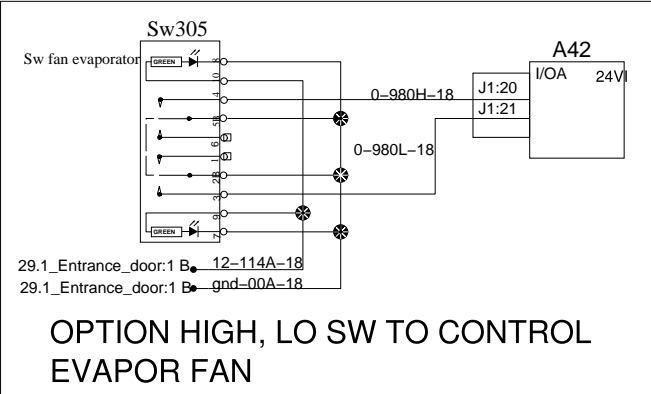
Hvac

Wiring identifiers

———— Full A/C
 - - - - - Full A/C and Small A/C

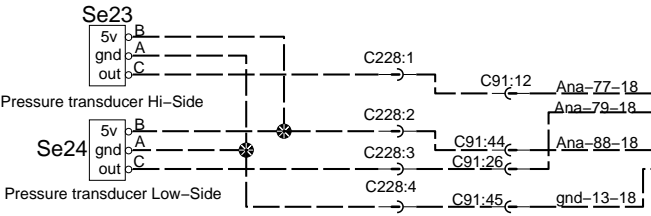


Keep C24 Unplugged
 Connect only for Freon Fill up



29.1_Entrance_door:1 B 12-114A-18
 29.1_Entrance_door:1 B gnd-00A-18

OPTION HIGH, LO SW TO CONTROL EVAPOR FAN

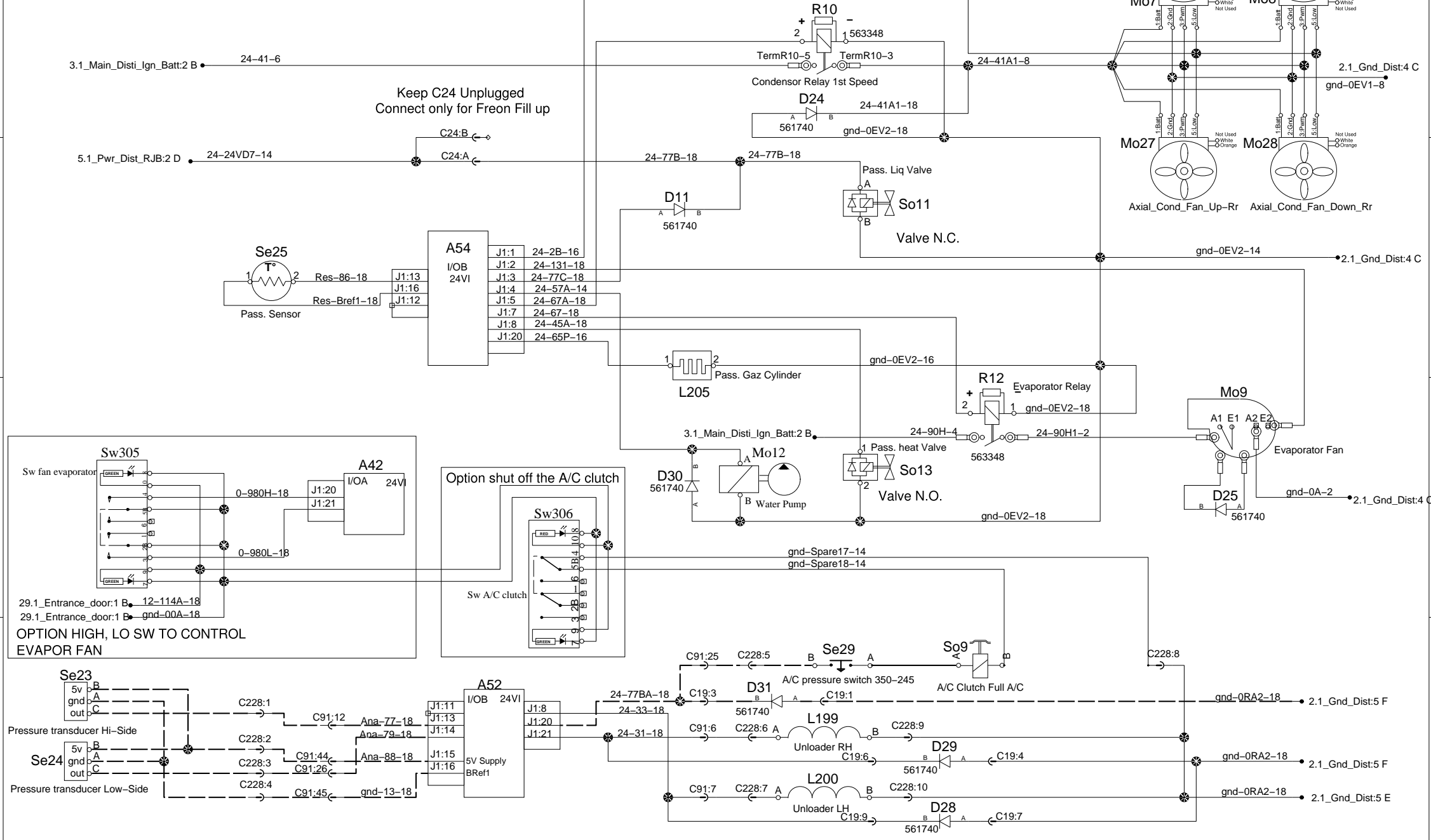


Pressure transducer Hi-Side
 Pressure transducer Low-Side

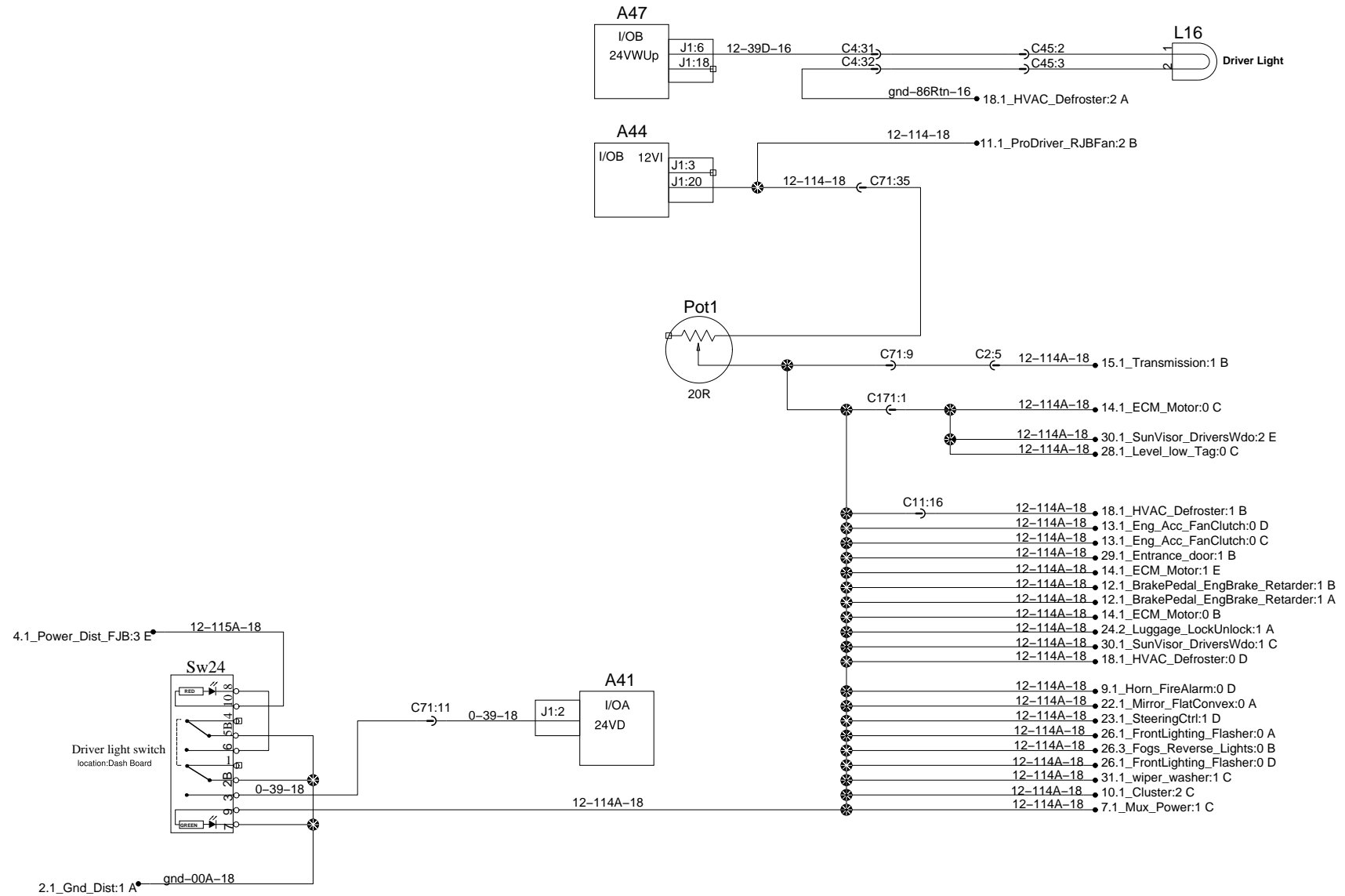
Hvac

Wiring identifiers ————— Full A/C
 - - - - - Full A/C and Small A/C

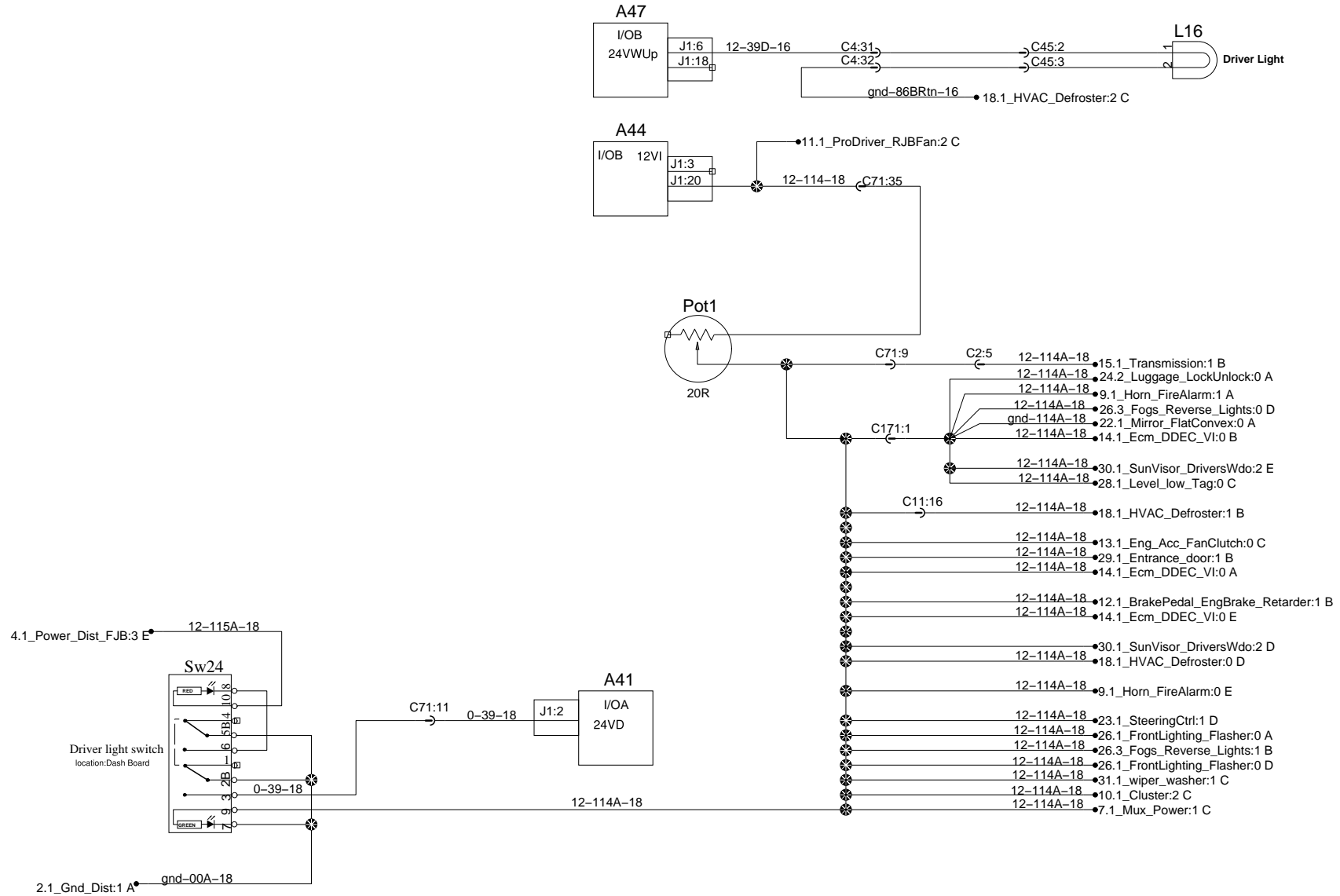
(If 2B wire is 24V= Low speed : 0V = Hi speed)



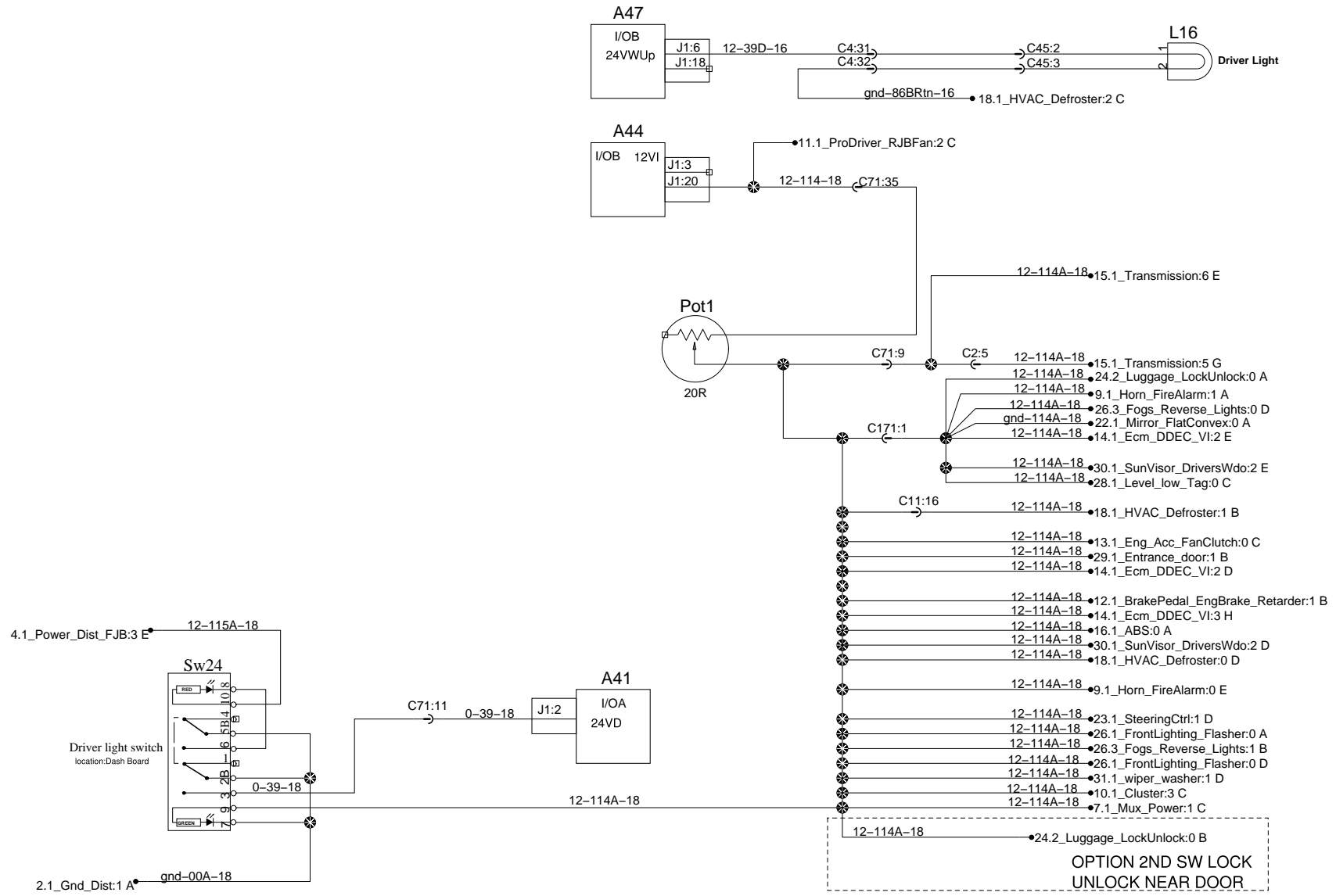
Driver lights



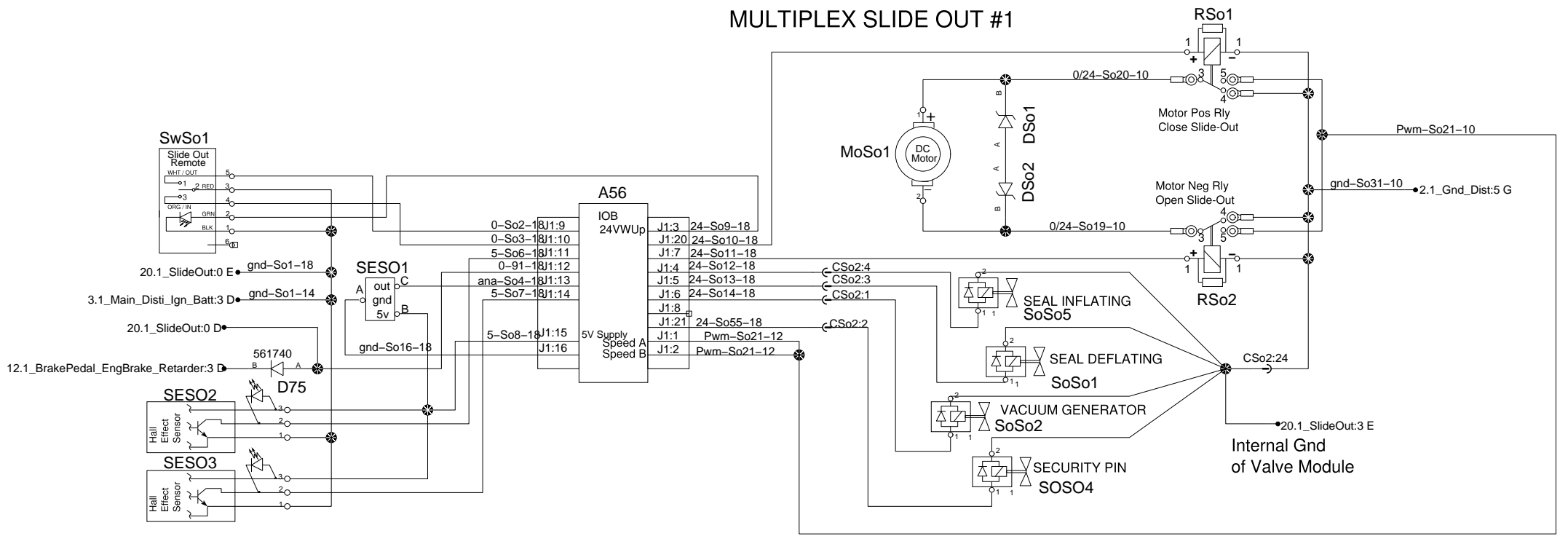
Driver lights



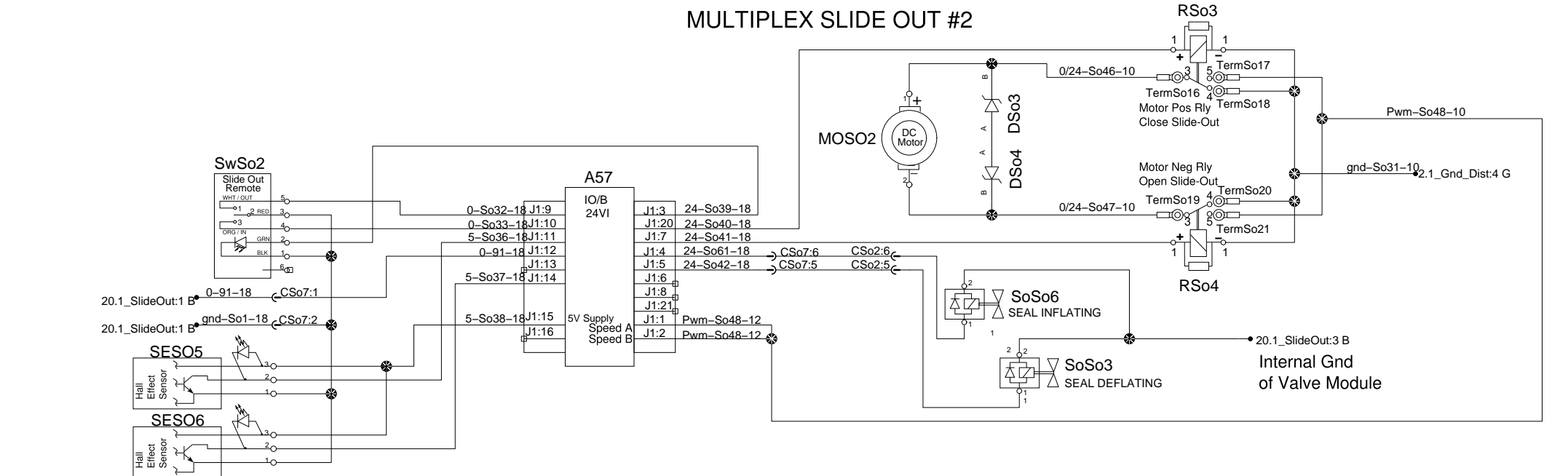
Driver lights



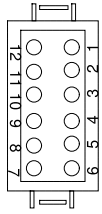
MULTIPLEX SLIDE OUT #1



MULTIPLEX SLIDE OUT #2



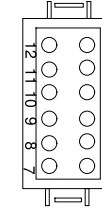
CC1 (BLACK)



BACK OF CONNECTOR
PREVOST PART 563227
SOCKET TERMINALS 562482
SECONDARY LOCK 563228

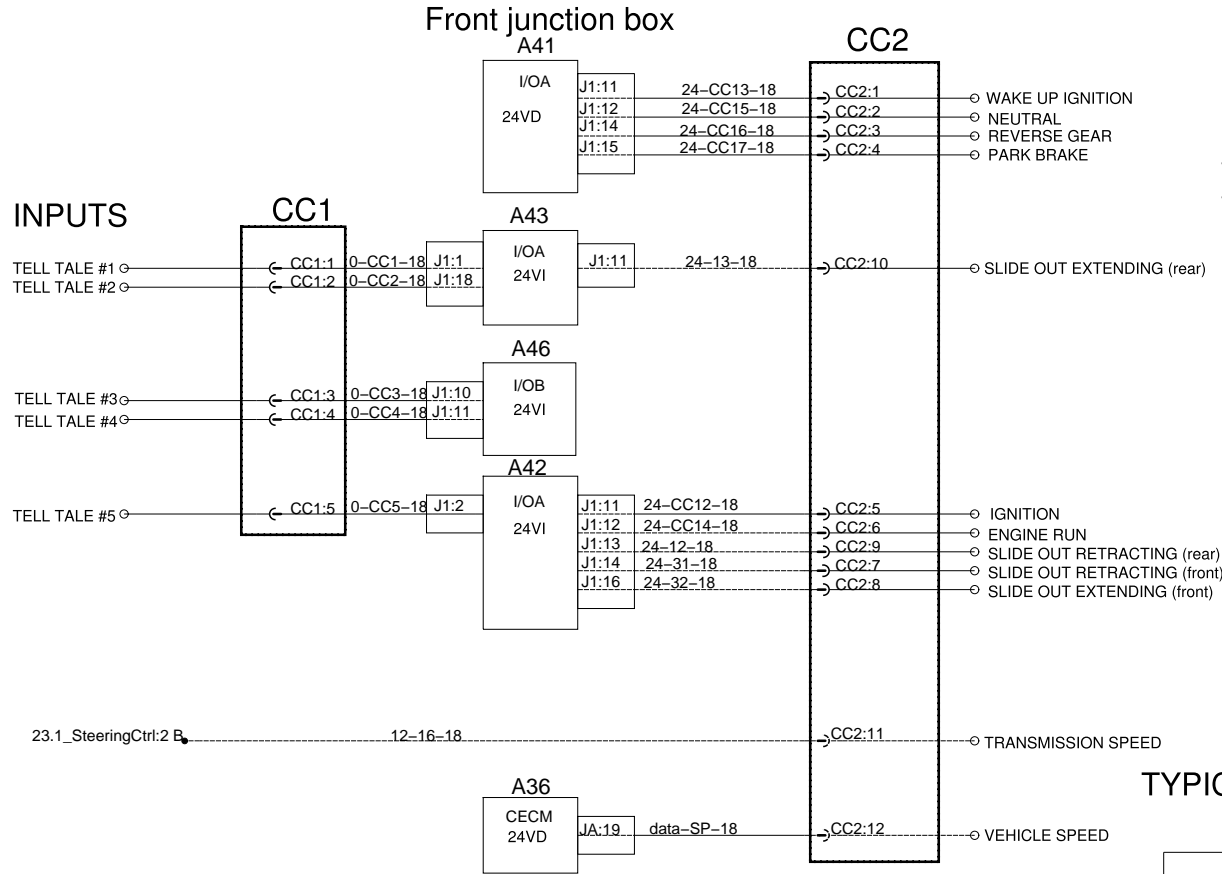
Converter interface

CC2 (GREY)

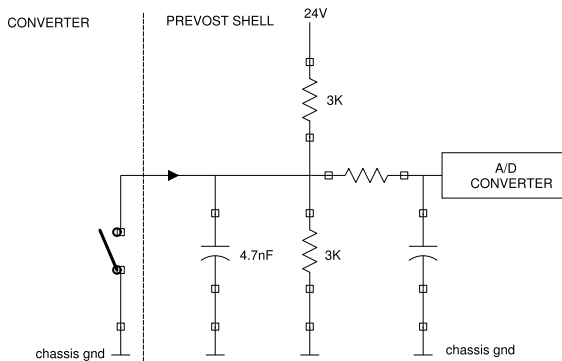


OUTPUTS

BACK OF CONNECTOR
PREVOST PART 563226
SOCKET TERMINALS 562482
SECONDARY LOCK 563228



TYPICAL CIRCUIT



INPUT SPECIFICATION

Active state (input contact closed):

Sourcing current : 8mA
Maximum allowed voltage drop across contact: 3V

Inactive state(input contact open):

Voltage on input:12V
Maximum allowed leakage current across contact: 3ma

OUTPUT SPECIFICATION

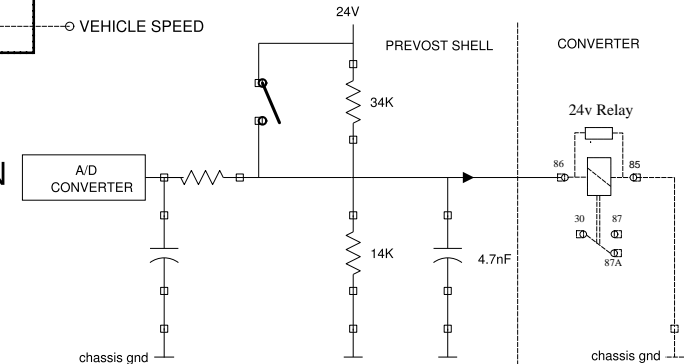
Active state

Maximum current: 1A
Minimum output voltage: 22.5V

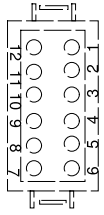
Inactive state

Open circuit voltage: 8V
Leakage current: 0.8ma

TYPICAL CIRCUIT



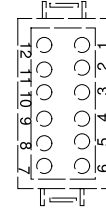
CC1 (BLACK)



BACK OF CONNECTOR
PREVOST PART 563227
SOCKET TERMINALS 562482
SECONDARY LOCK 563228

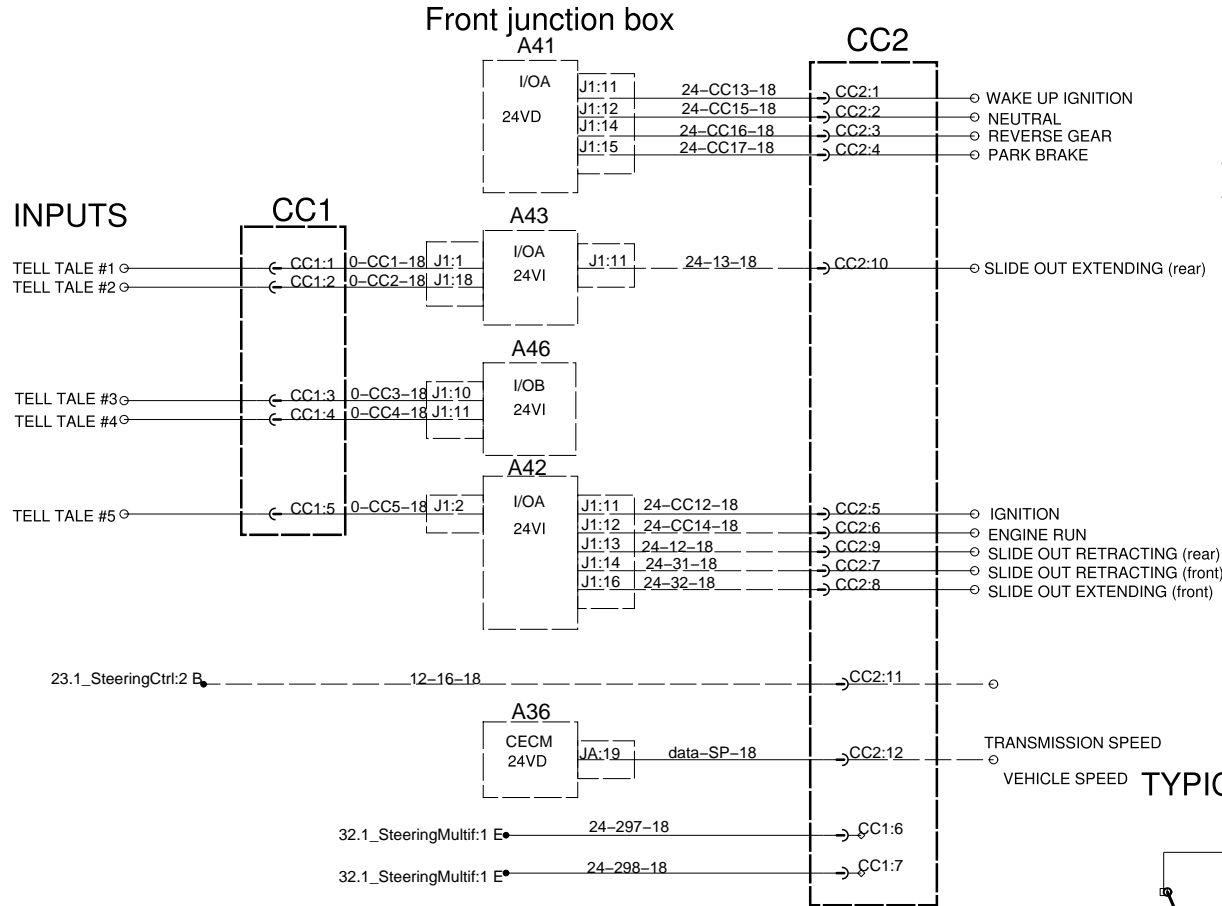
Converter interface

CC2 (GREY)

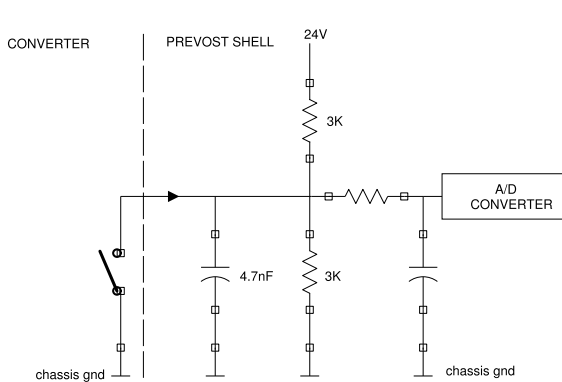


OUTPUTS

BACK OF CONNECTOR
PREVOST PART 563226
SOCKET TERMINALS 562482
SECONDARY LOCK 563228



TYPICAL CIRCUIT



INPUT SPECIFICATION

Active state (input contact closed):

Sourcing current : 8mA
Maximum allowed voltage drop across contact: 3V

Inactive state(input contact open):

Voltage on input:12V
Maximum allowed leakage current across contact: 3ma

OUTPUT SPECIFICATION

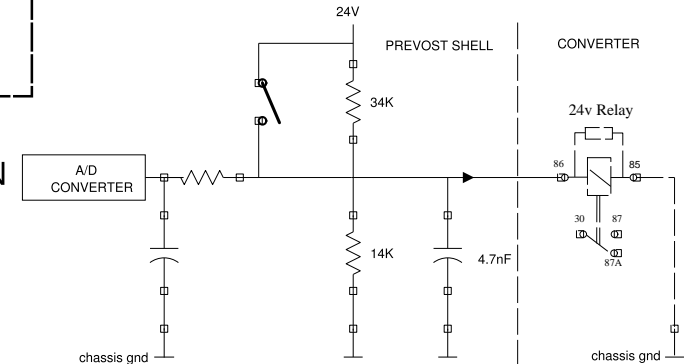
Active state

Maximum current: 1A
Minimum output voltage: 22.5V

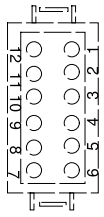
Inactive state

Open circuit voltage: 8V
Leakage current: 0.8ma

TYPICAL CIRCUIT



CC1 (BLACK)



BACK OF CONNECTOR
PREVOST PART 563227
SOCKET TERMINALS 562482
SECONDARY LOCK 563228

Converter interface

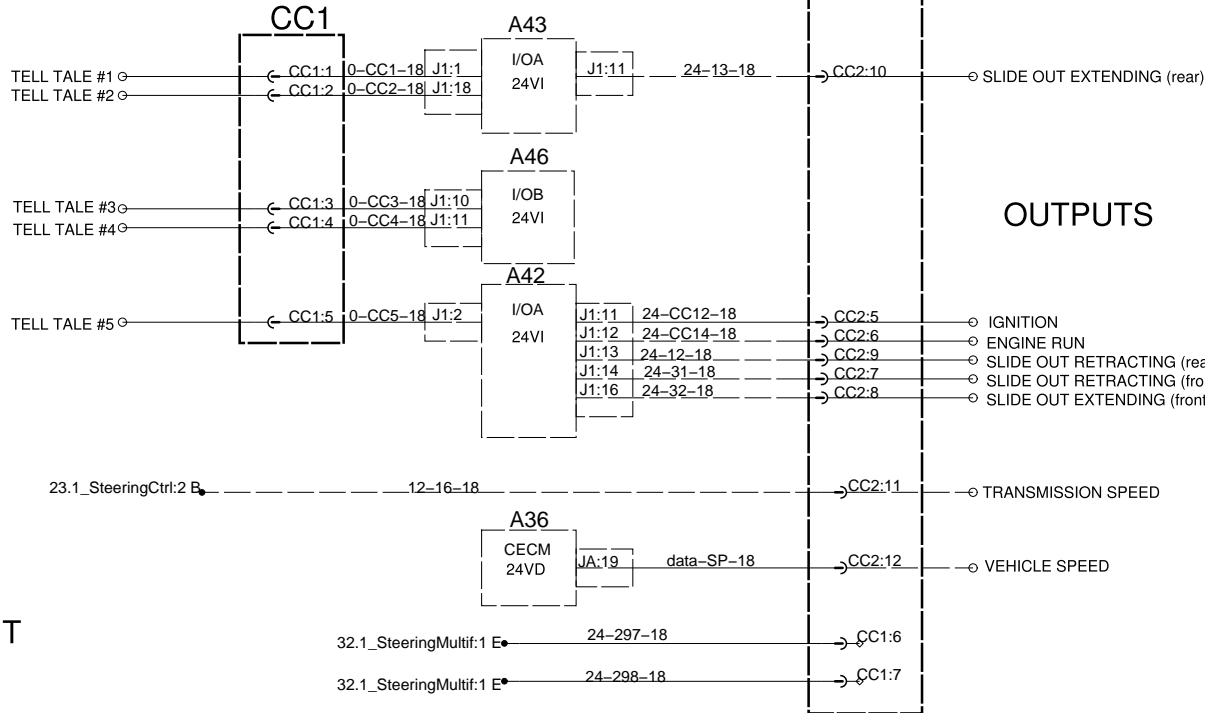
Front junction box

CC2 (GREY)



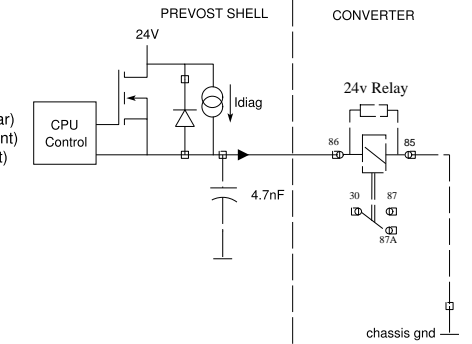
BACK OF CONNECTOR
PREVOST PART 563226
SOCKET TERMINALS 562482
SECONDARY LOCK 563228

INPUTS

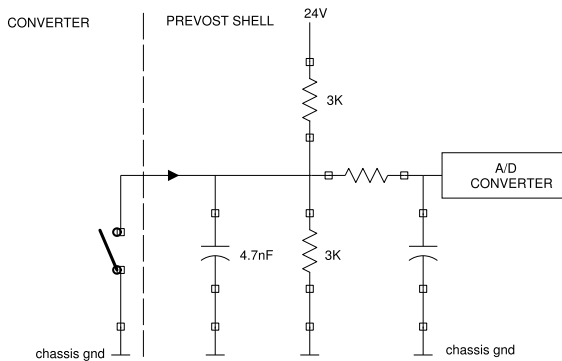


OUTPUTS

* SPECIAL CIRCUIT CECM J1:12



TYPICAL CIRCUIT



INPUT SPECIFICATION

Active state (input contact closed):

Sourcing current : 8mA
Maximum allowed voltage drop across contact: 3V

Inactive state(input contact open):

Voltage on input:12V
Maximum allowed leakage current across contact: 3ma

OUTPUT SPECIFICATION

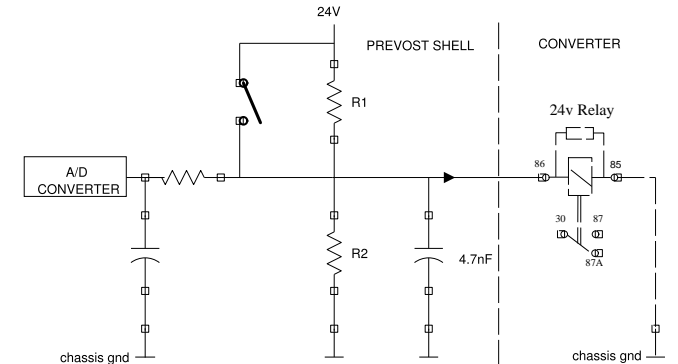
Active state

Maximum current: 1A I/OA /125ma CECM
Minimum output voltage: 22.5V

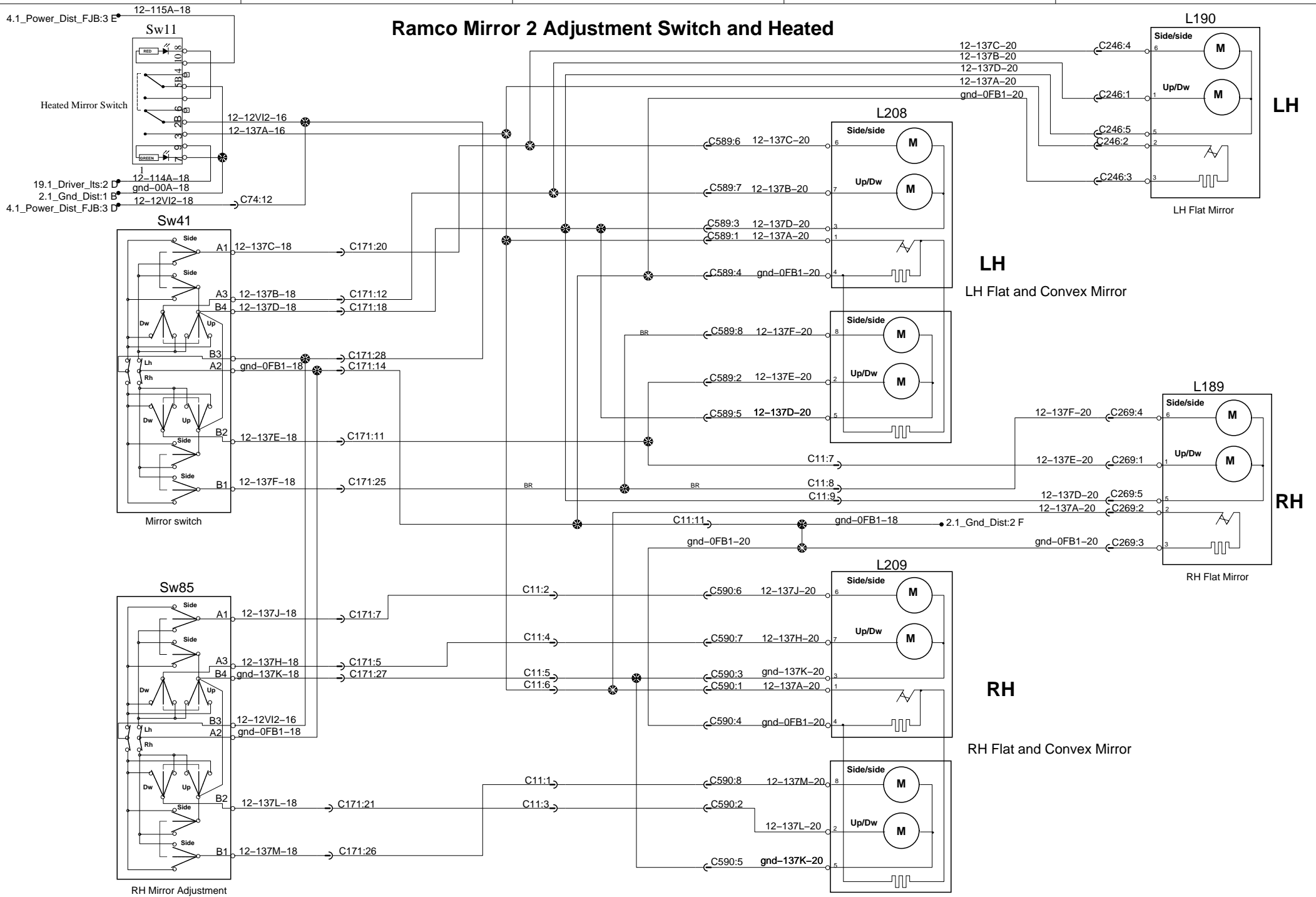
Inactive state

Open circuit voltage: 6v to 8v except CECM J1:12 = 0v *
Leakage current: 0.8ma

TYPICAL CIRCUIT I/OA & CECM

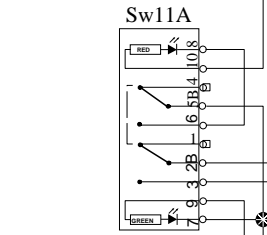


Ramco Mirror 2 Adjustment Switch and Heated

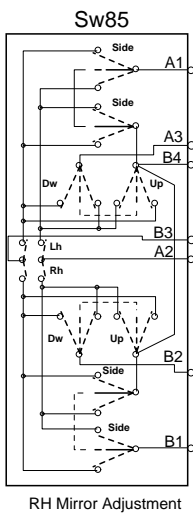
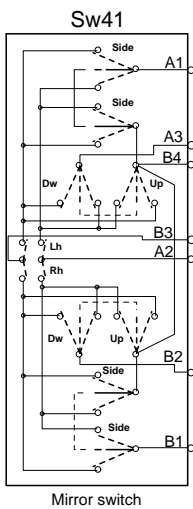


Ramco Mirror 2 Adjustment Switch and Heated

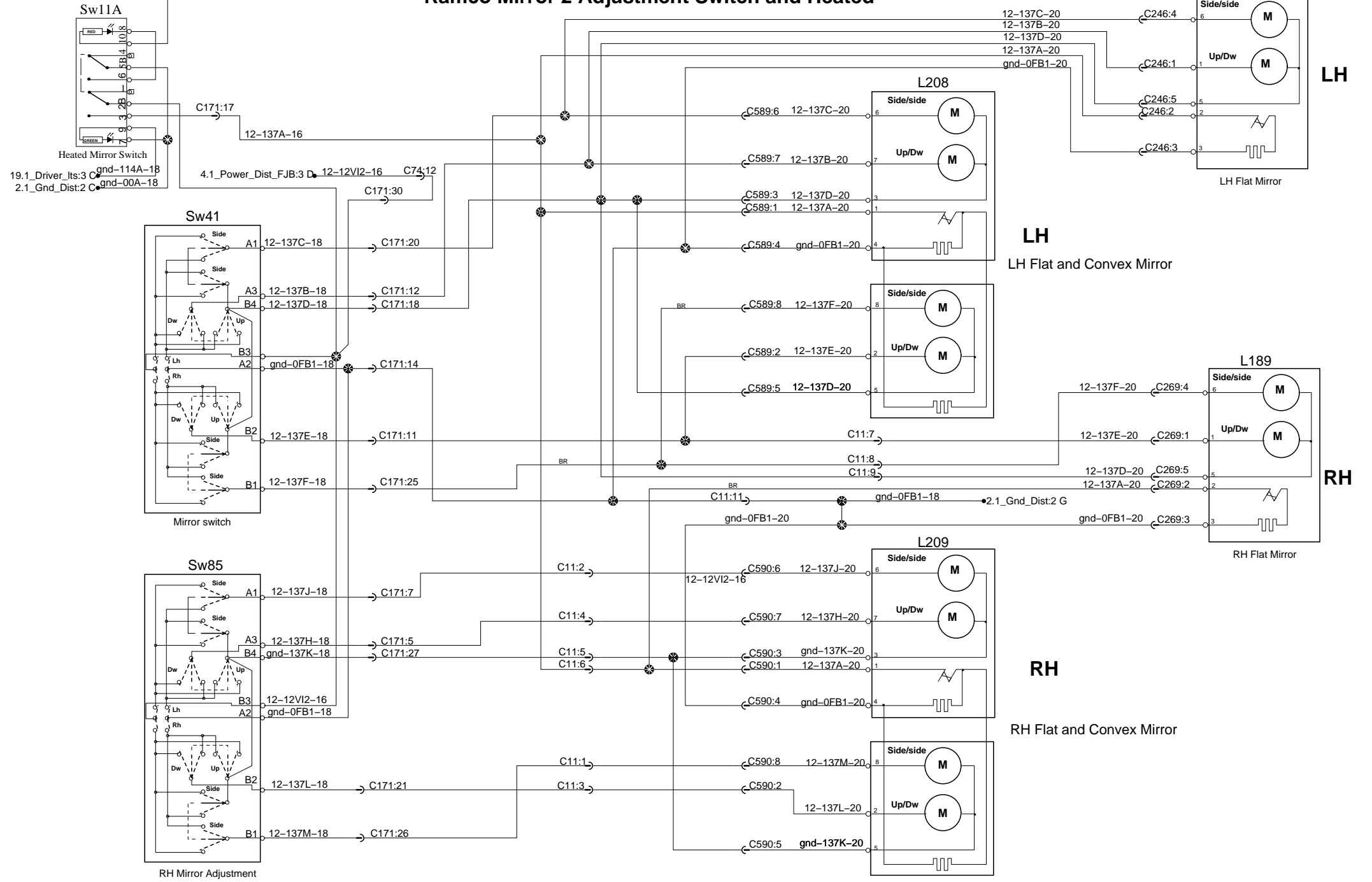
4.1_Power_Dist_FJB:3 D 12-115A-18



19.1_Driver_Its:3 C gnd-114A-18
2.1_Gnd_Dist:2 C gnd-00A-18



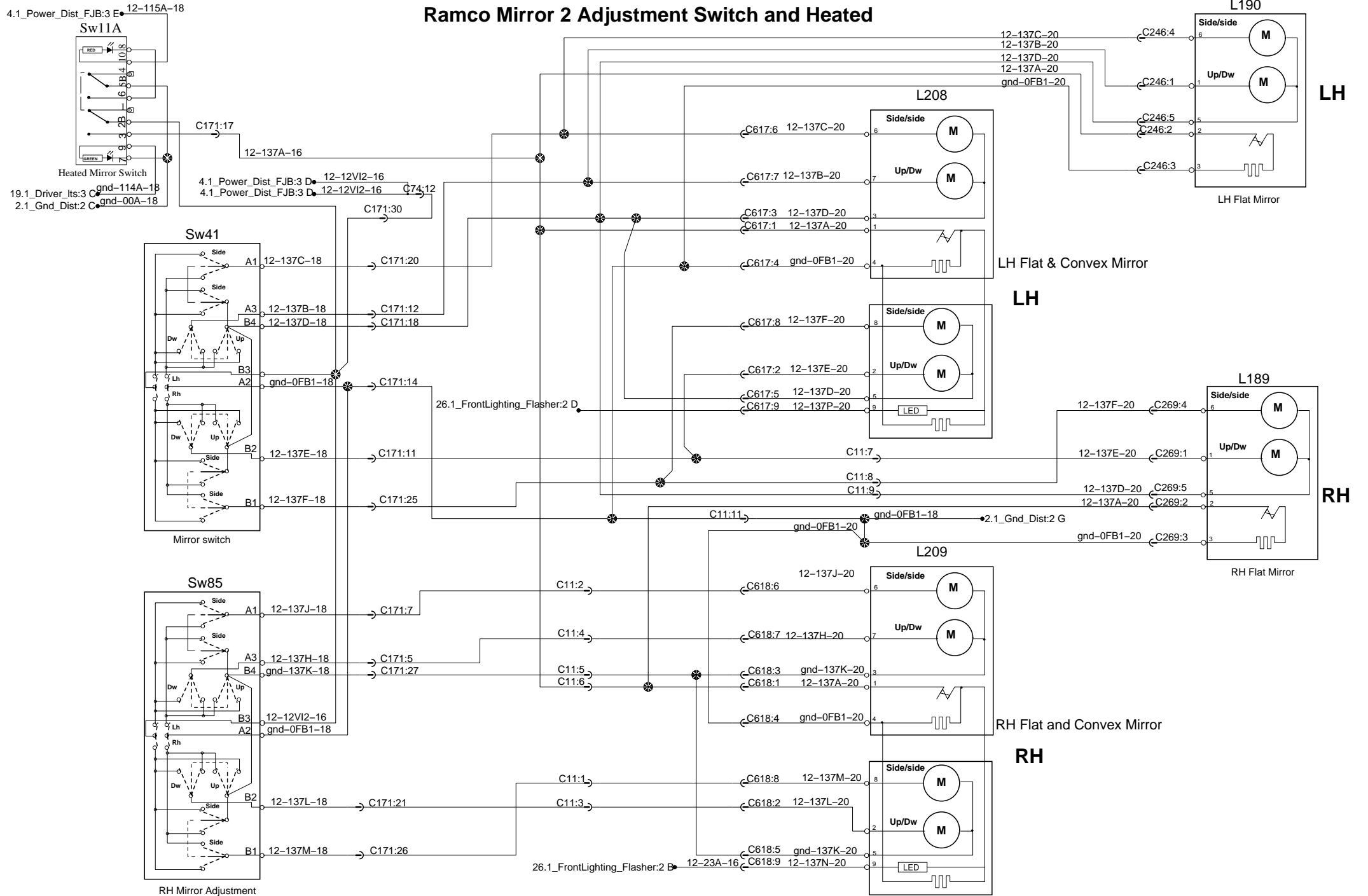
RH Mirror Adjustment



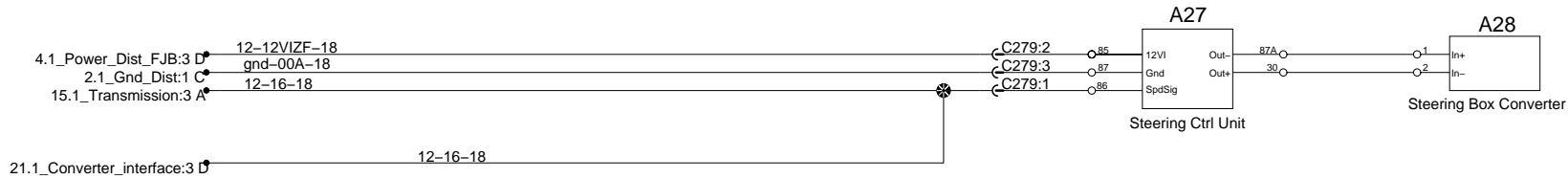
LH
LH Flat and Convex Mirror

RH
RH Flat and Convex Mirror

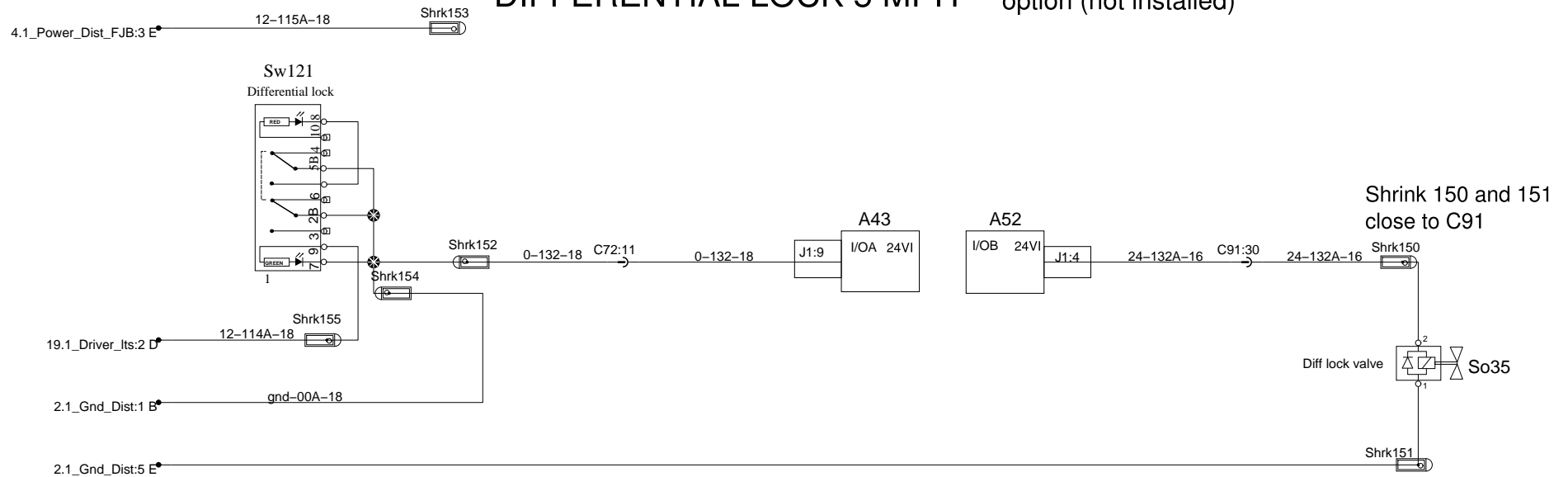
Ramco Mirror 2 Adjustment Switch and Heated



ZF Steering Control

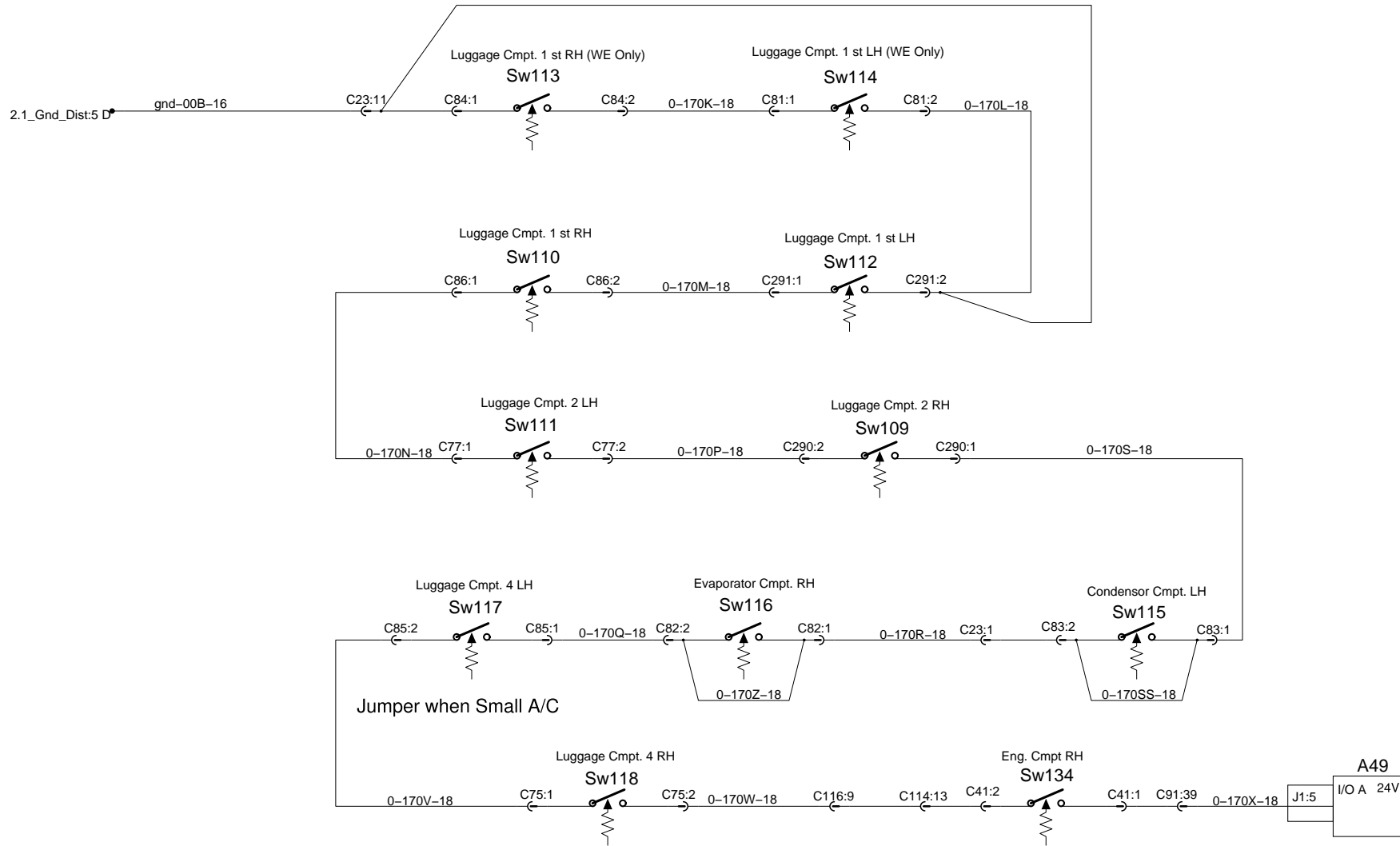


DIFFERENTIAL LOCK 5 MPH option (not installed)

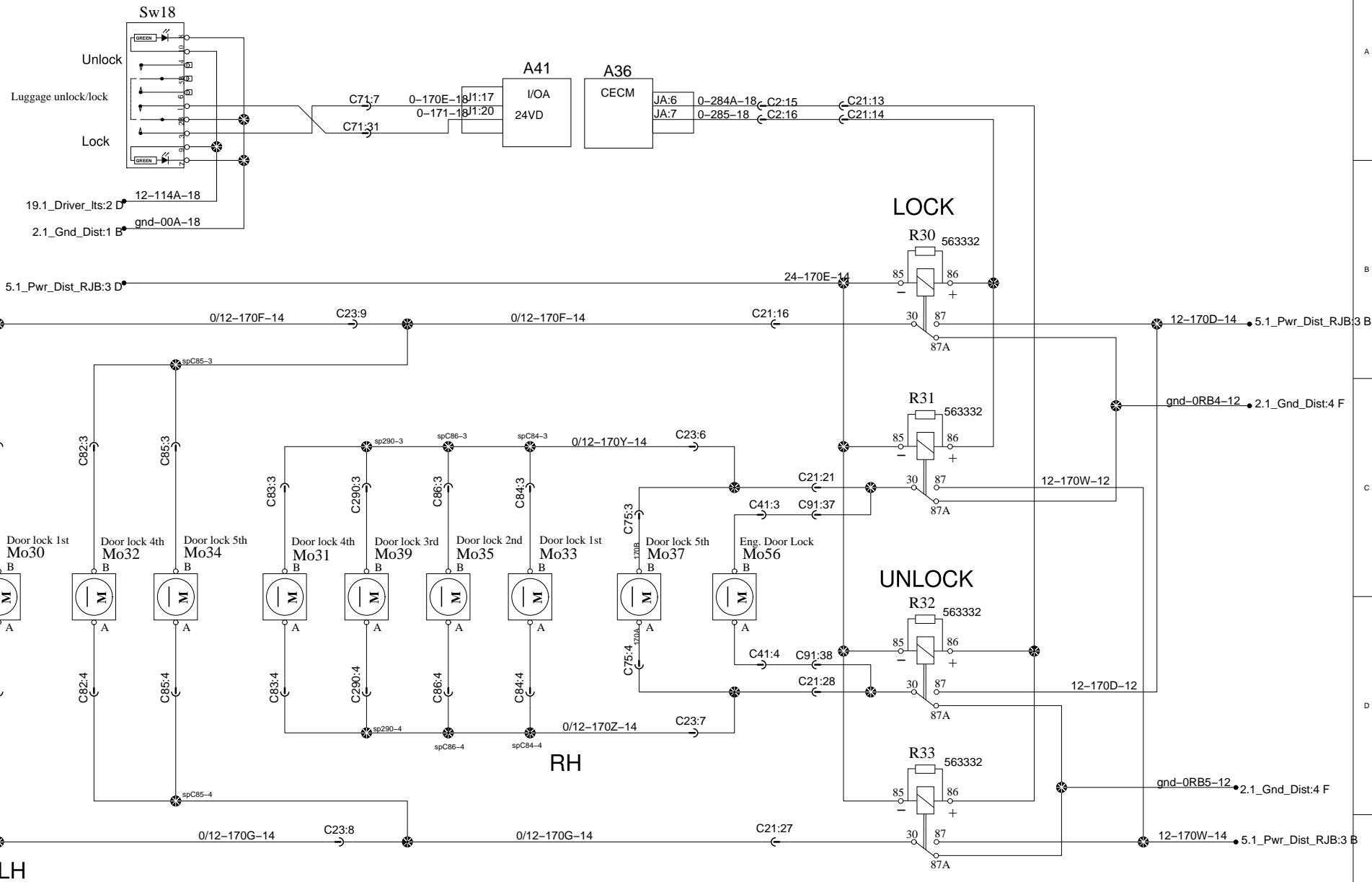


Luggage doors locks switches

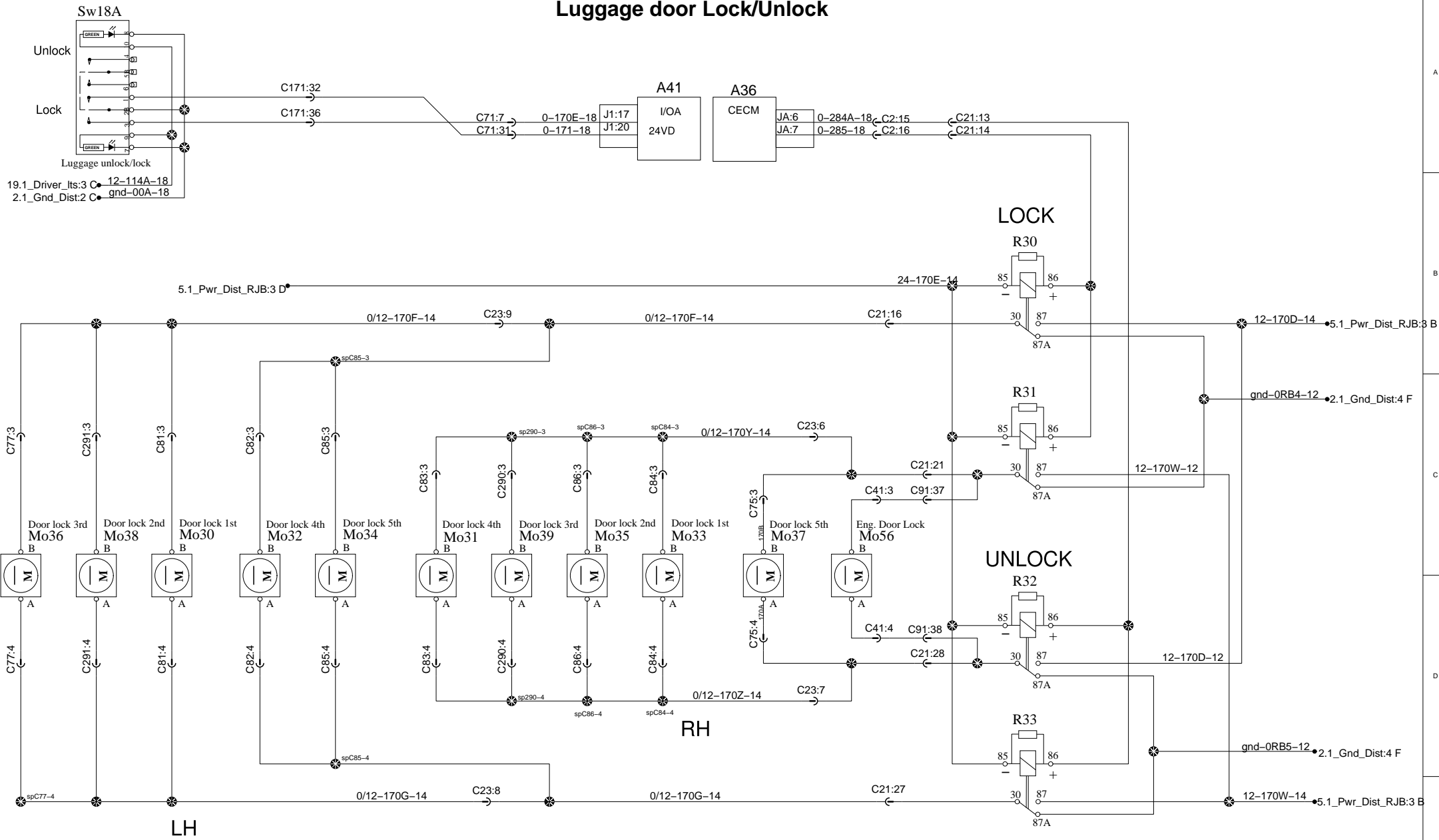
(Switch closed=door locked)



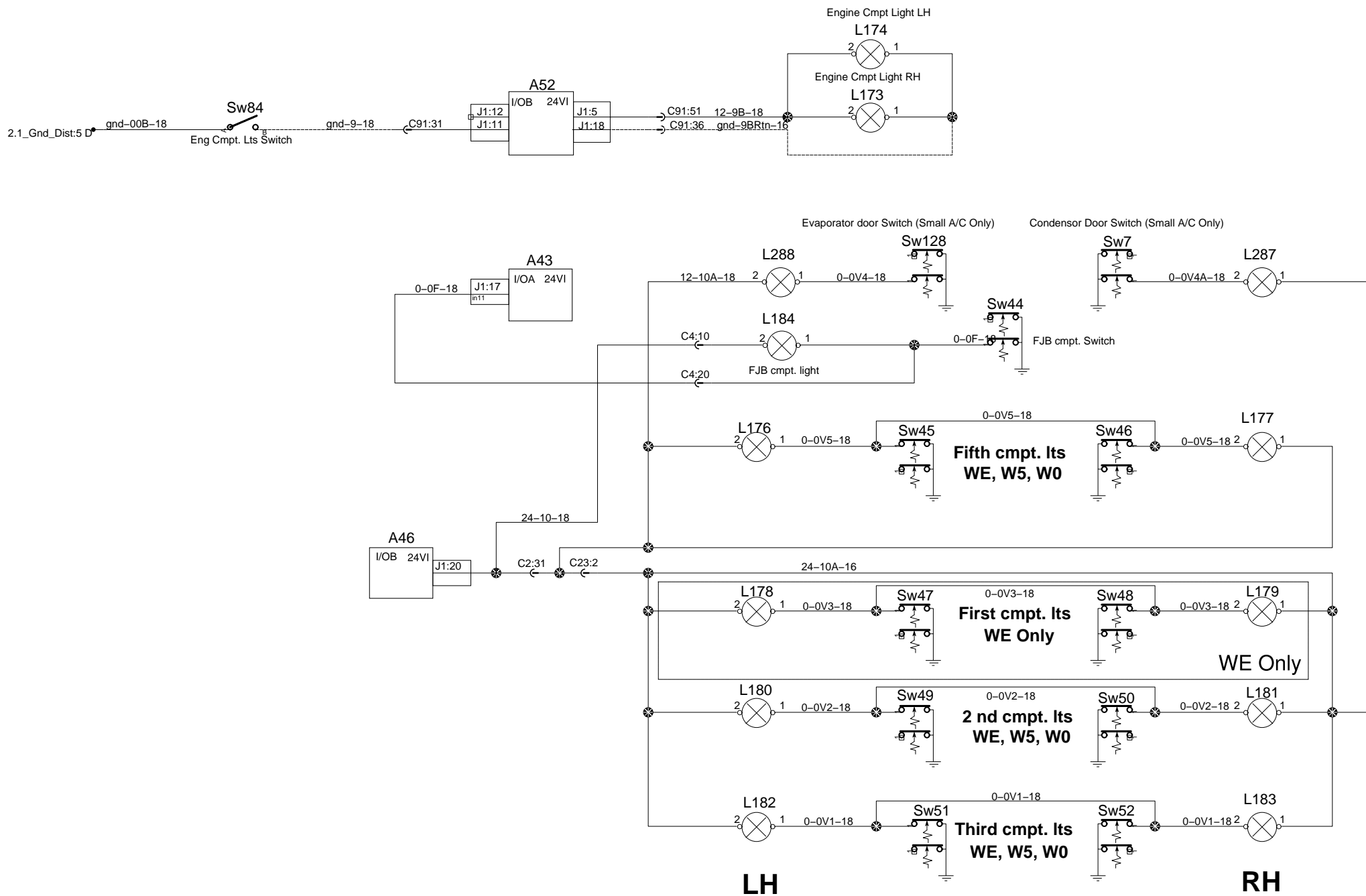
Luggage door Lock/Unlock



Luggage door Lock/Unlock

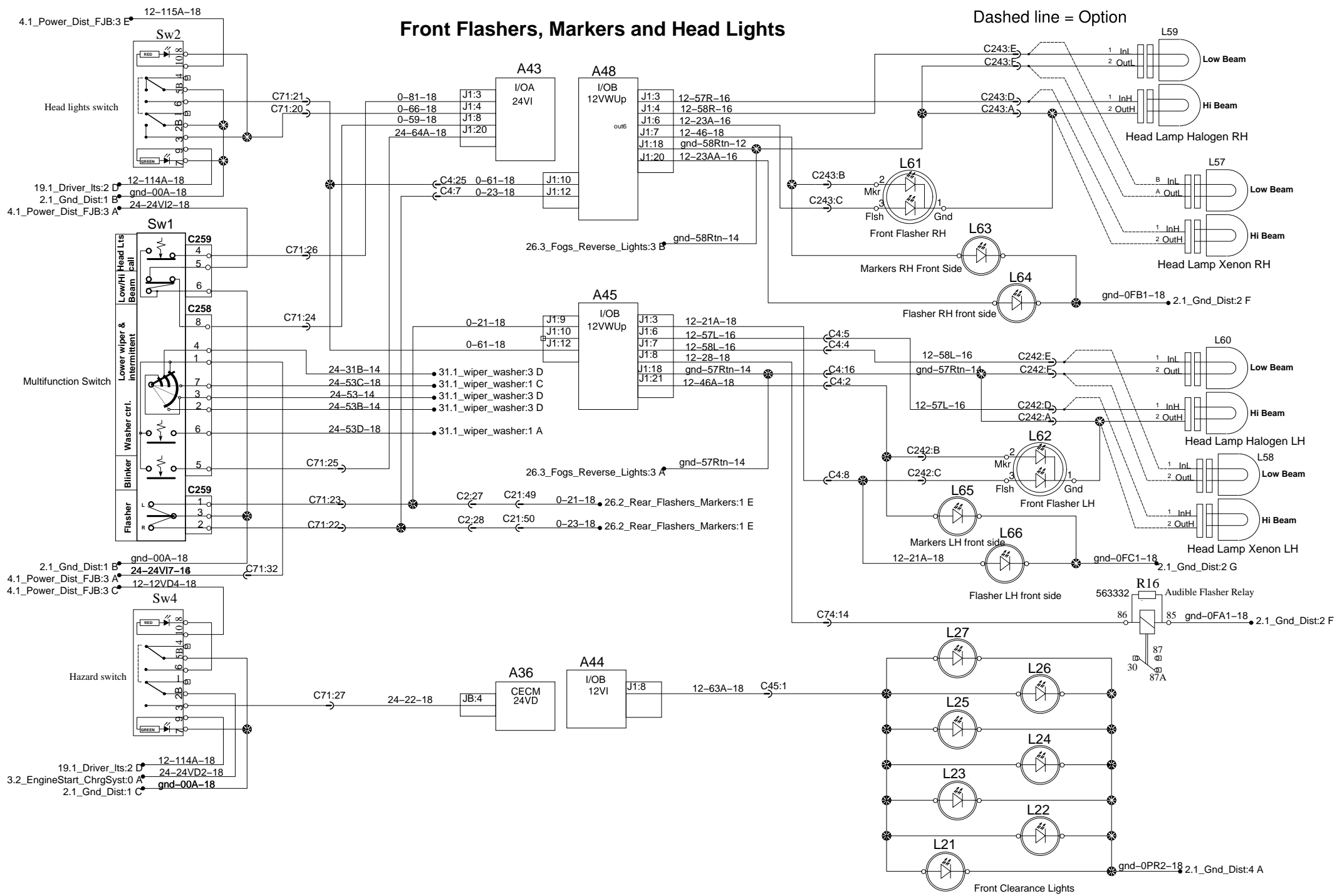


Luggage Compartment and Engine cmpt. lighting



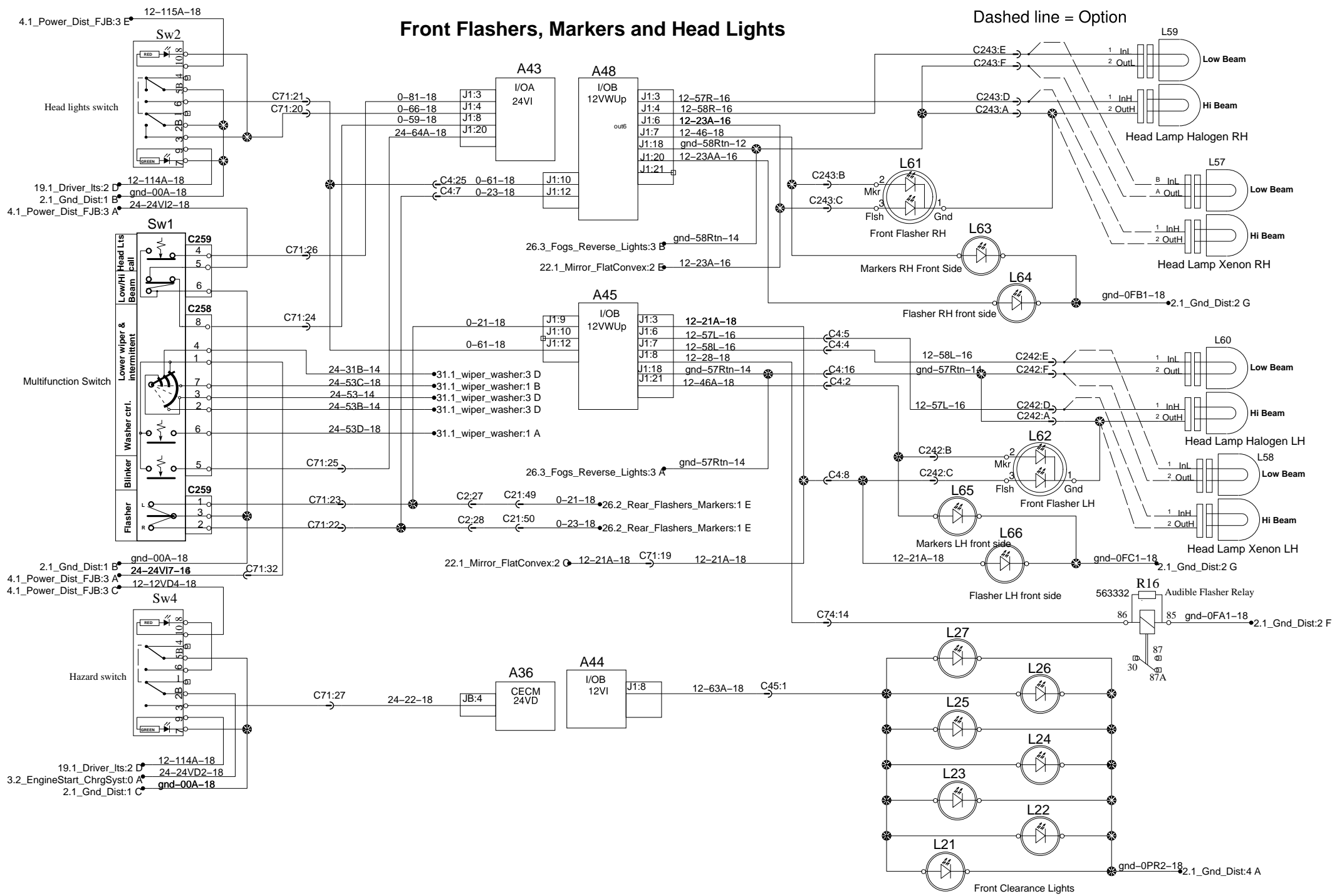
Front Flashers, Markers and Head Lights

Dashed line = Option

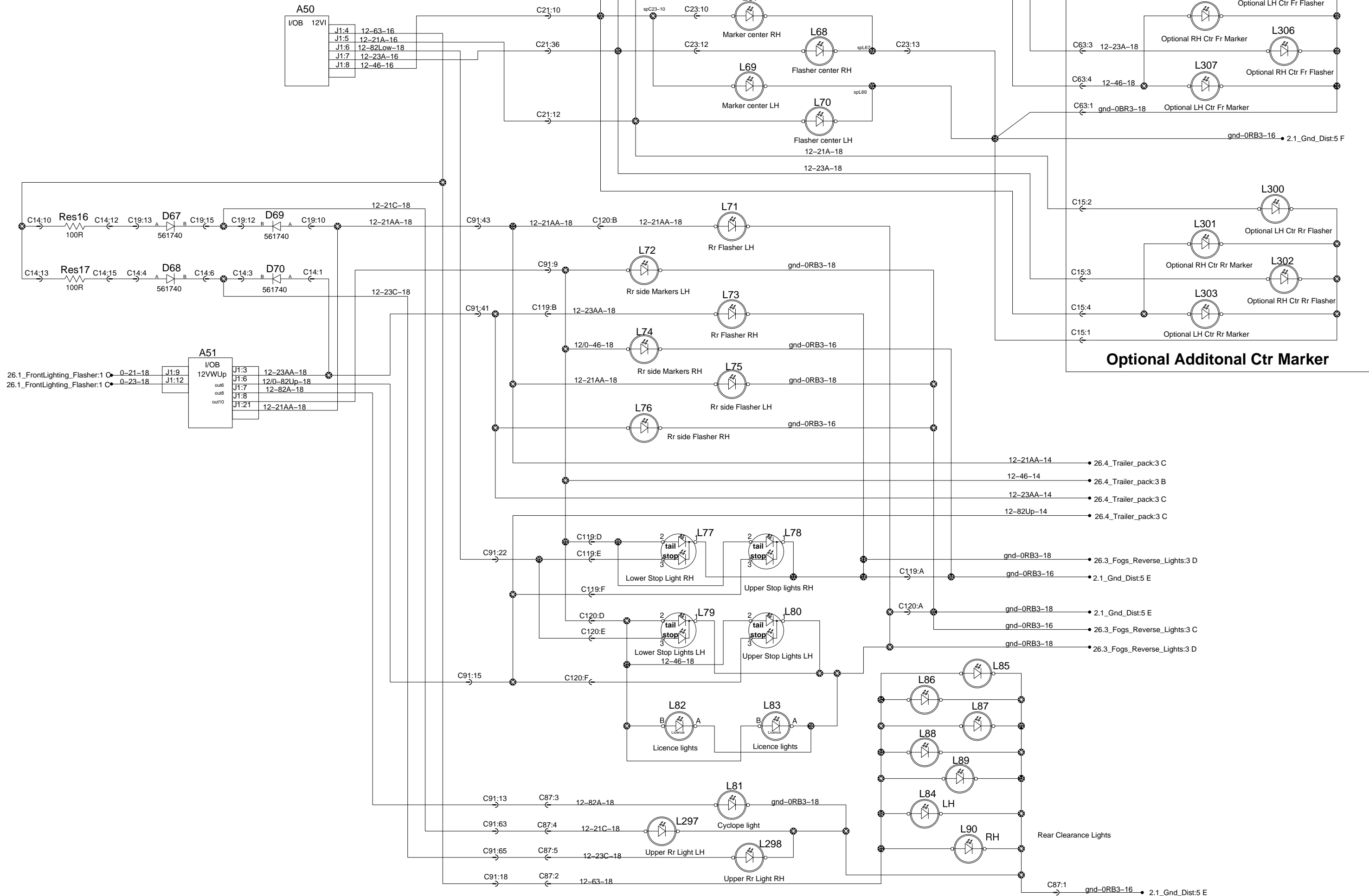


Front Flashers, Markers and Head Lights

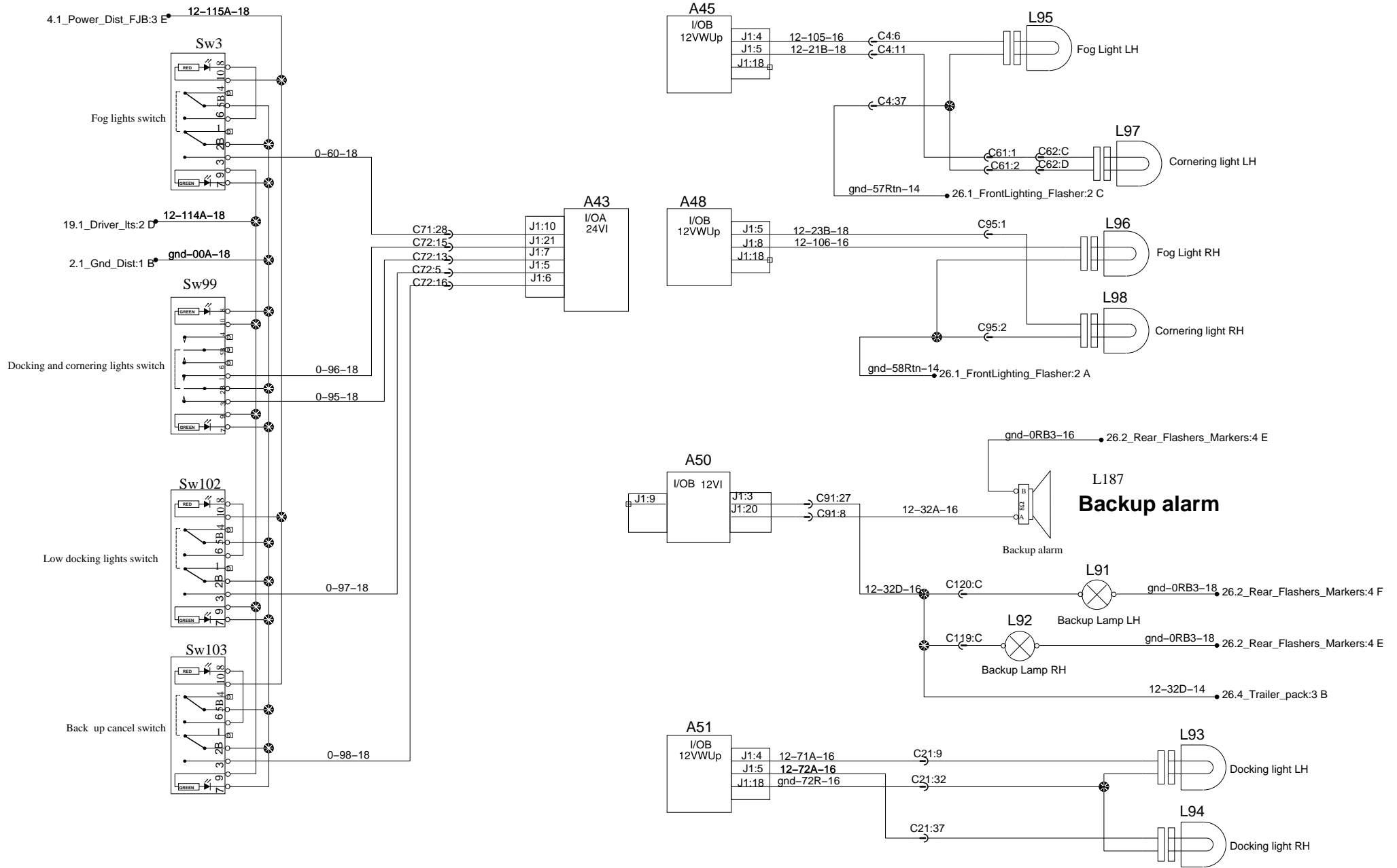
Dashed line = Option



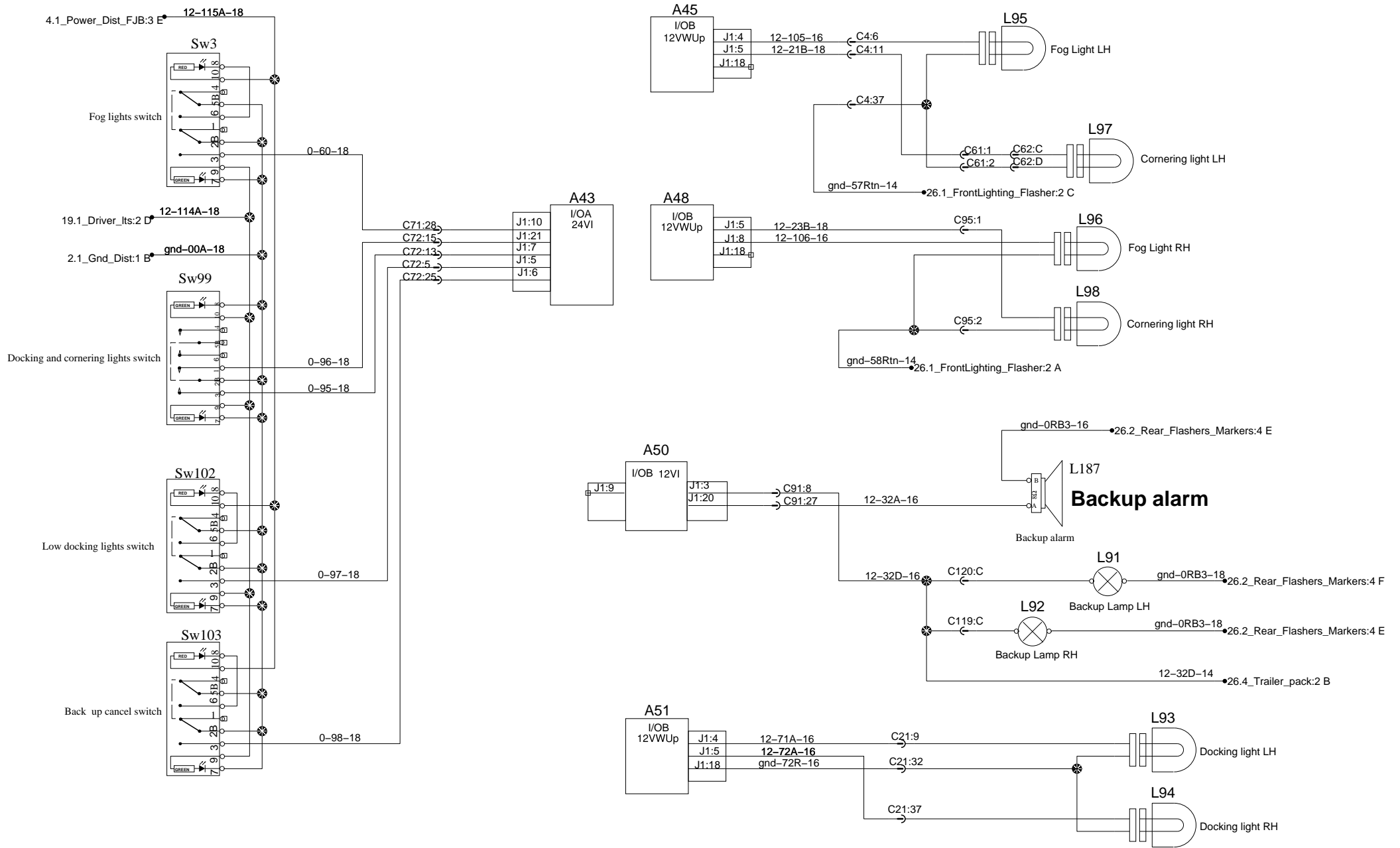
Rear Flashers, Markers, Tail and Stop Lights



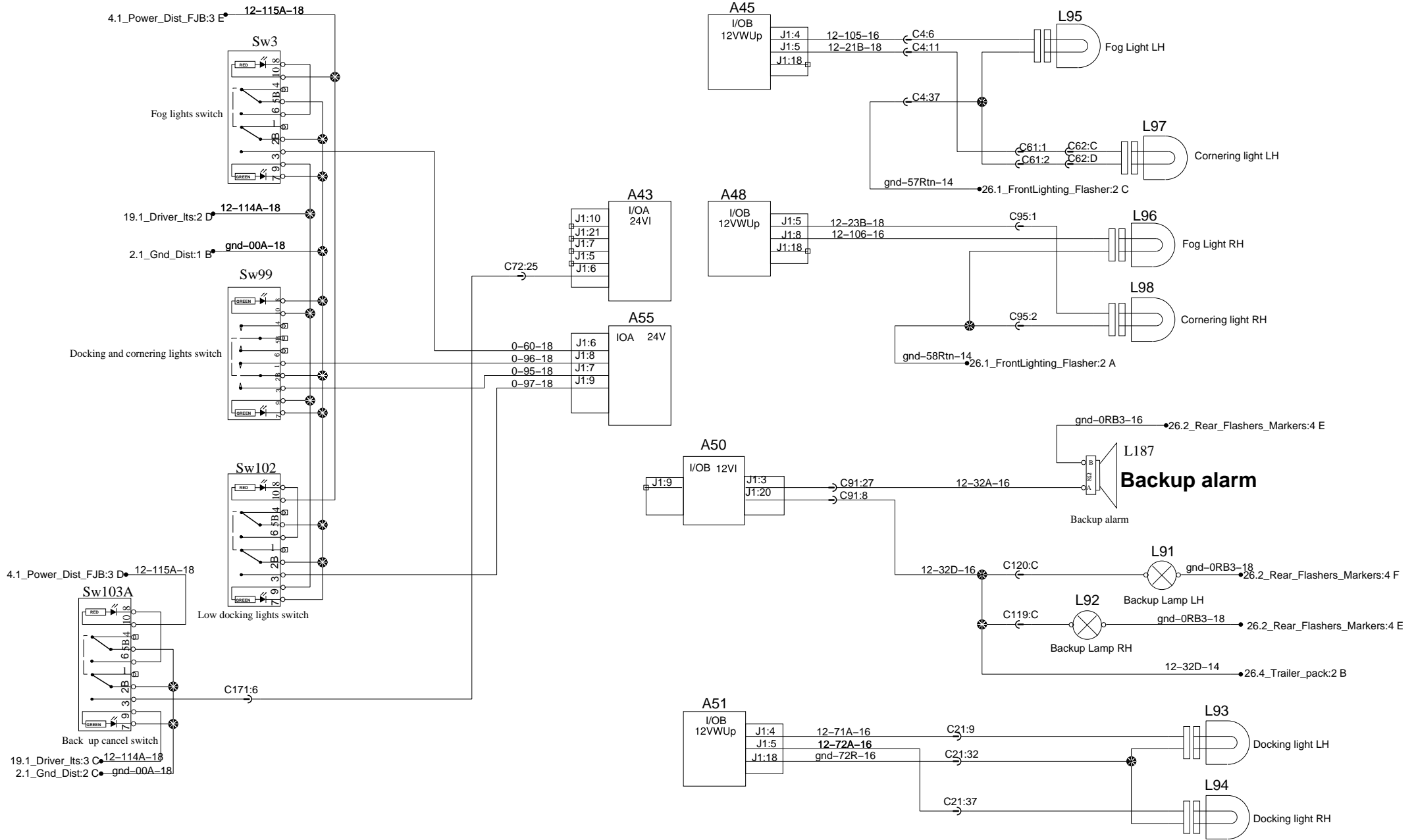
Fog's Lights and Backup Lights and Alarm



Fog's Lights and Backup Lights and Alarm

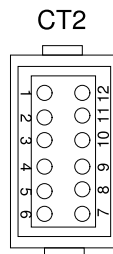
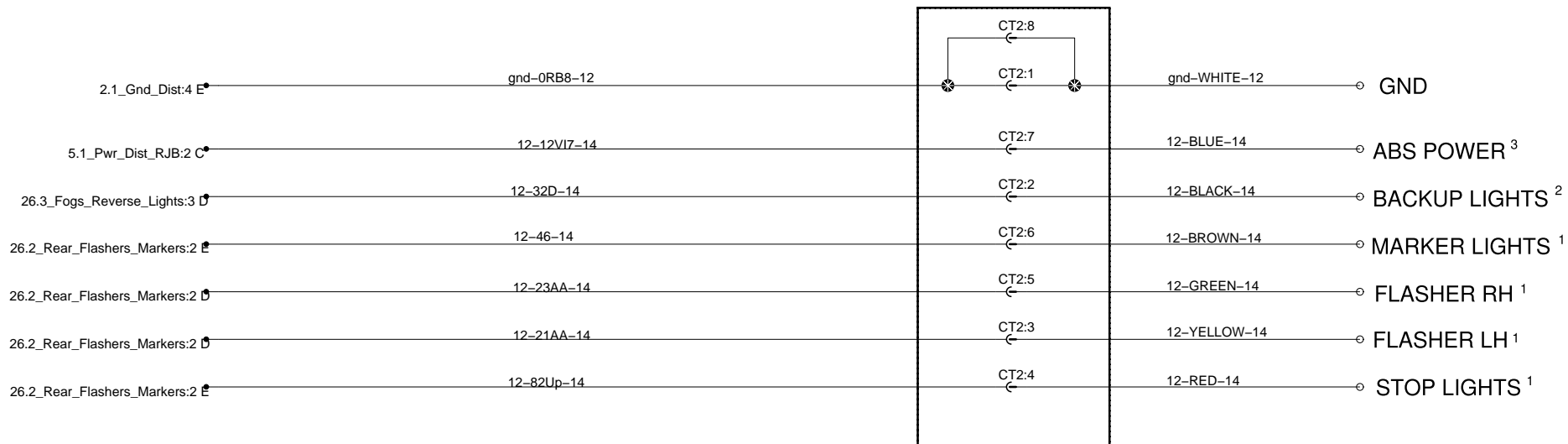


Fog's Lights and Backup Lights and Alarm



Trailer Package

ENGINE COMPARTMENT CONNECTOR CT2



BACK OF CONNECTOR
PREVOST PART 563613
PIN TERMINALS 562481
SECONDARY LOCK

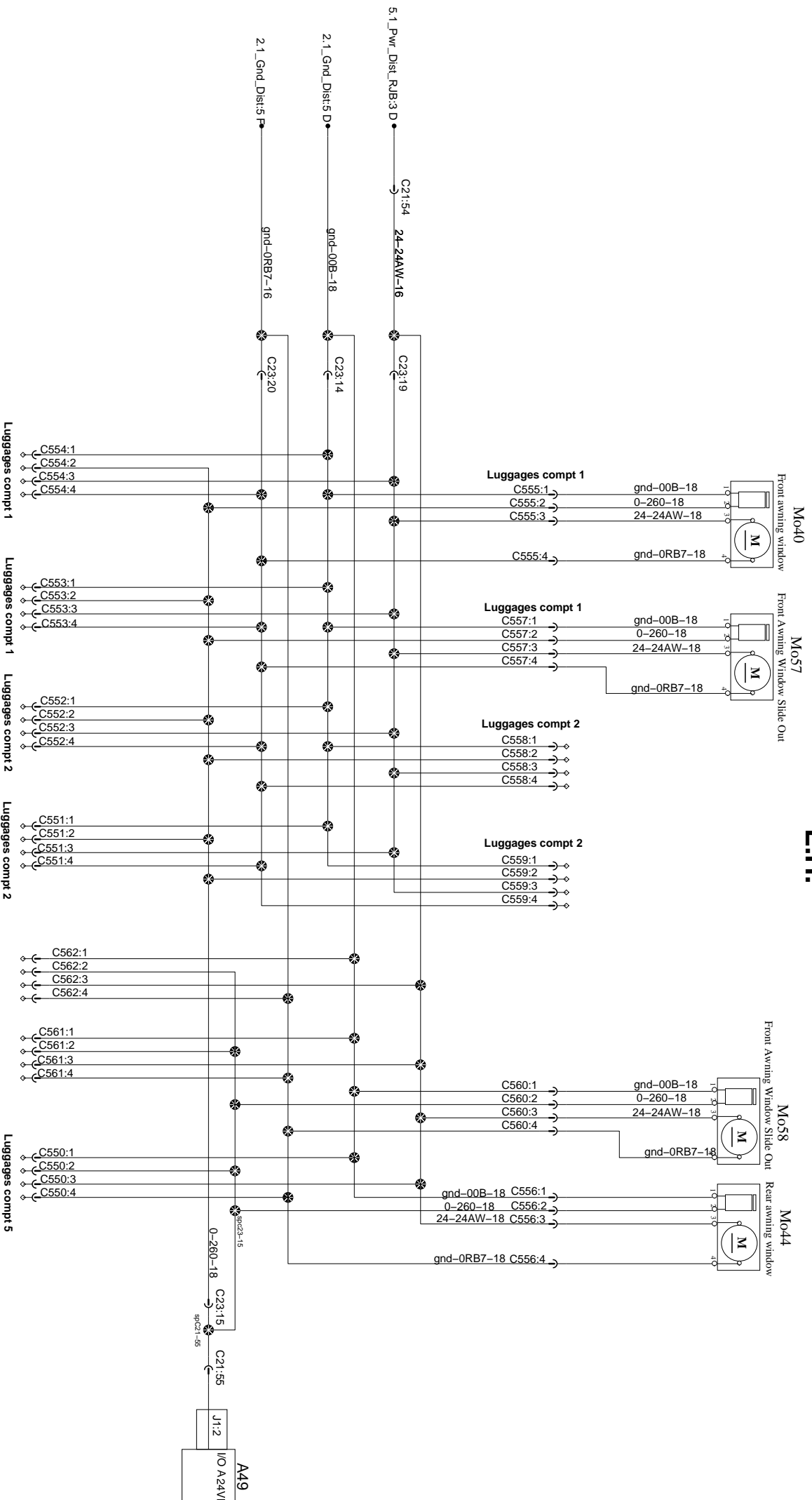
NOTE 1:MAXIMUM CURRENT LOAD IS 8A .

NOTE 2 :MAXIMUM CURRENT LOAD IS 4A .

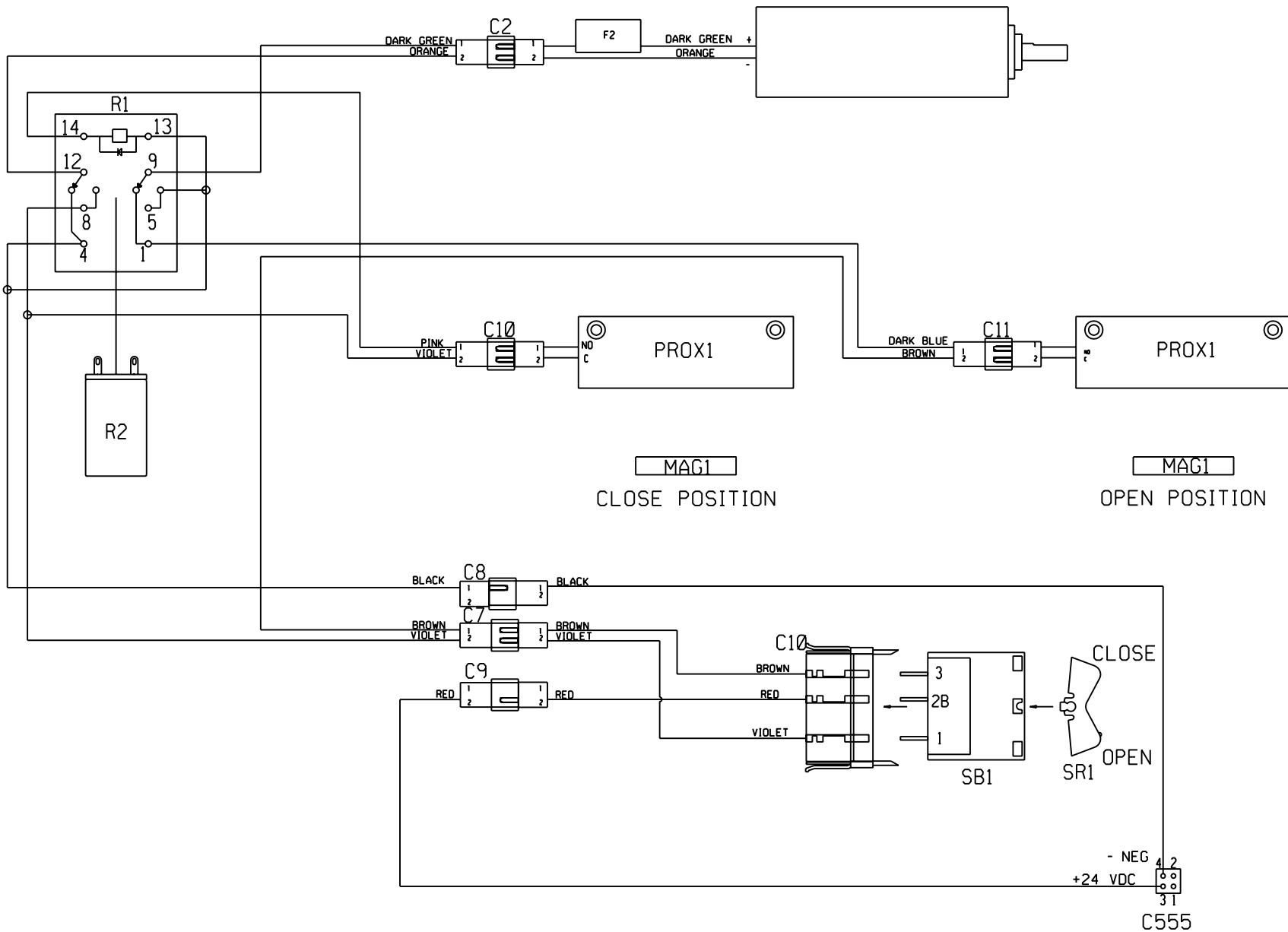
NOTE 3 :MAXIMUM CURRENT LOAD IS 10A .

Window Ajar and awning mechanism

L.H.



R.H.

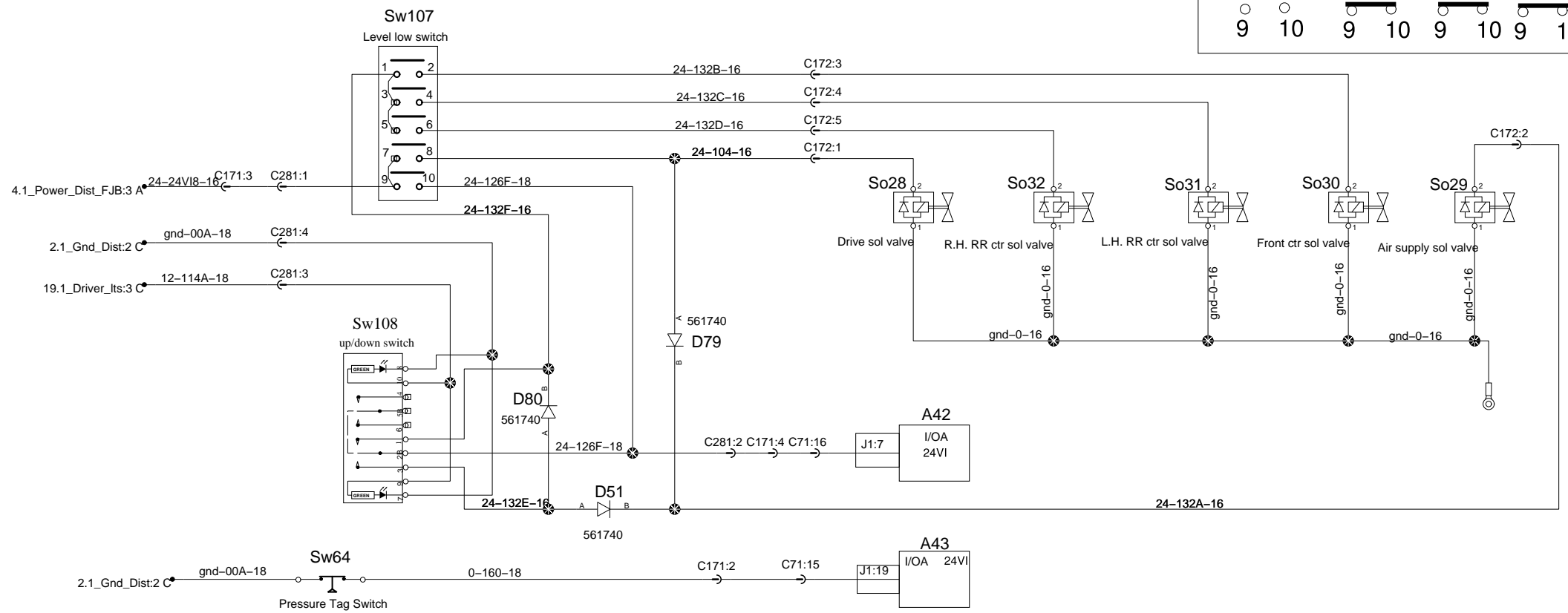


INTERNAL SCHEMATIC SLIDING WINDOW

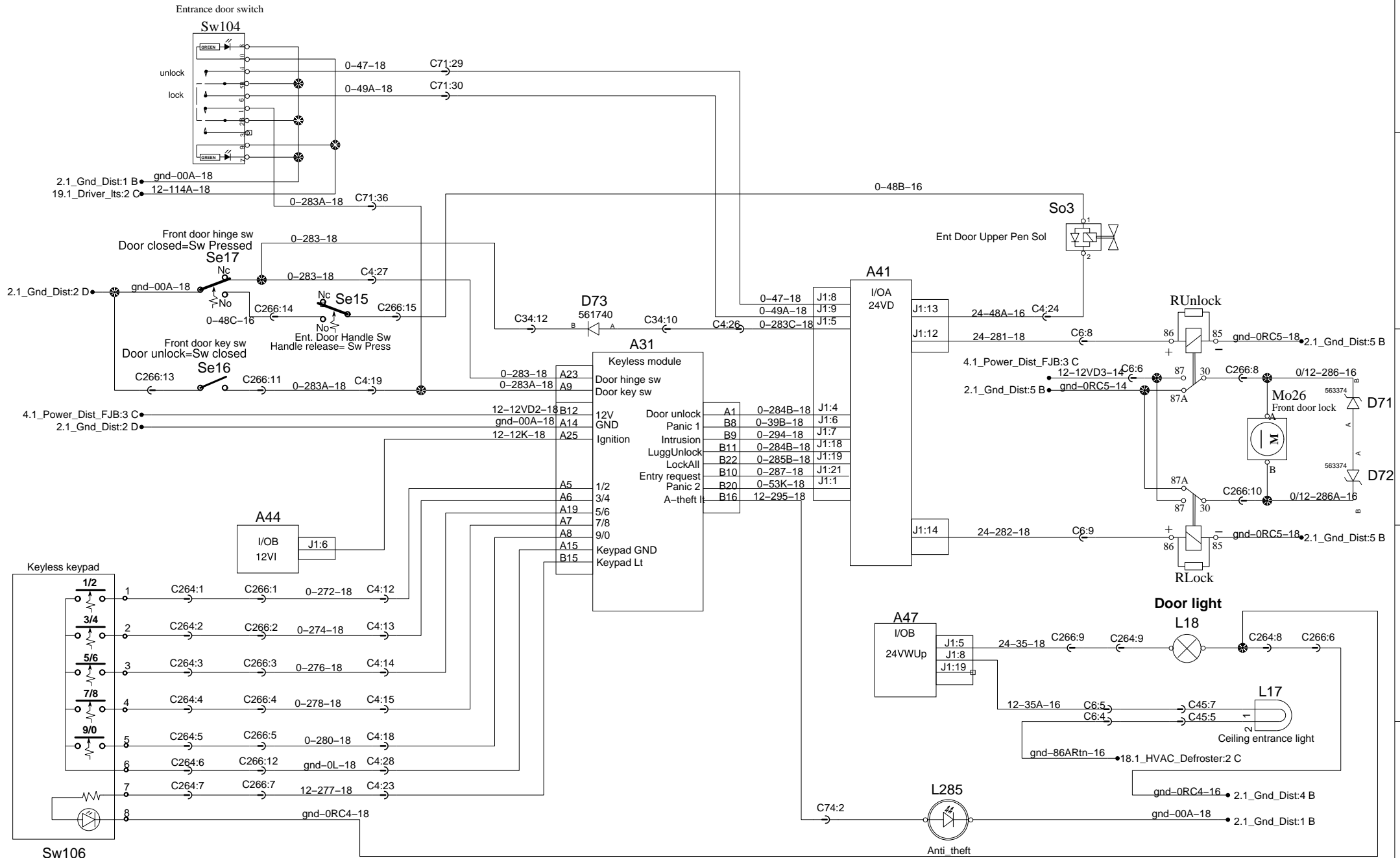
Tag and Level low

Drive Position	Front	Left Rear	Right Rear
1 2	1 2	1 2	1 2
3 4	3 4	3 4	3 4
5 6	5 6	5 6	5 6
7 8	7 8	7 8	7 8
9 10	9 10	9 10	9 10

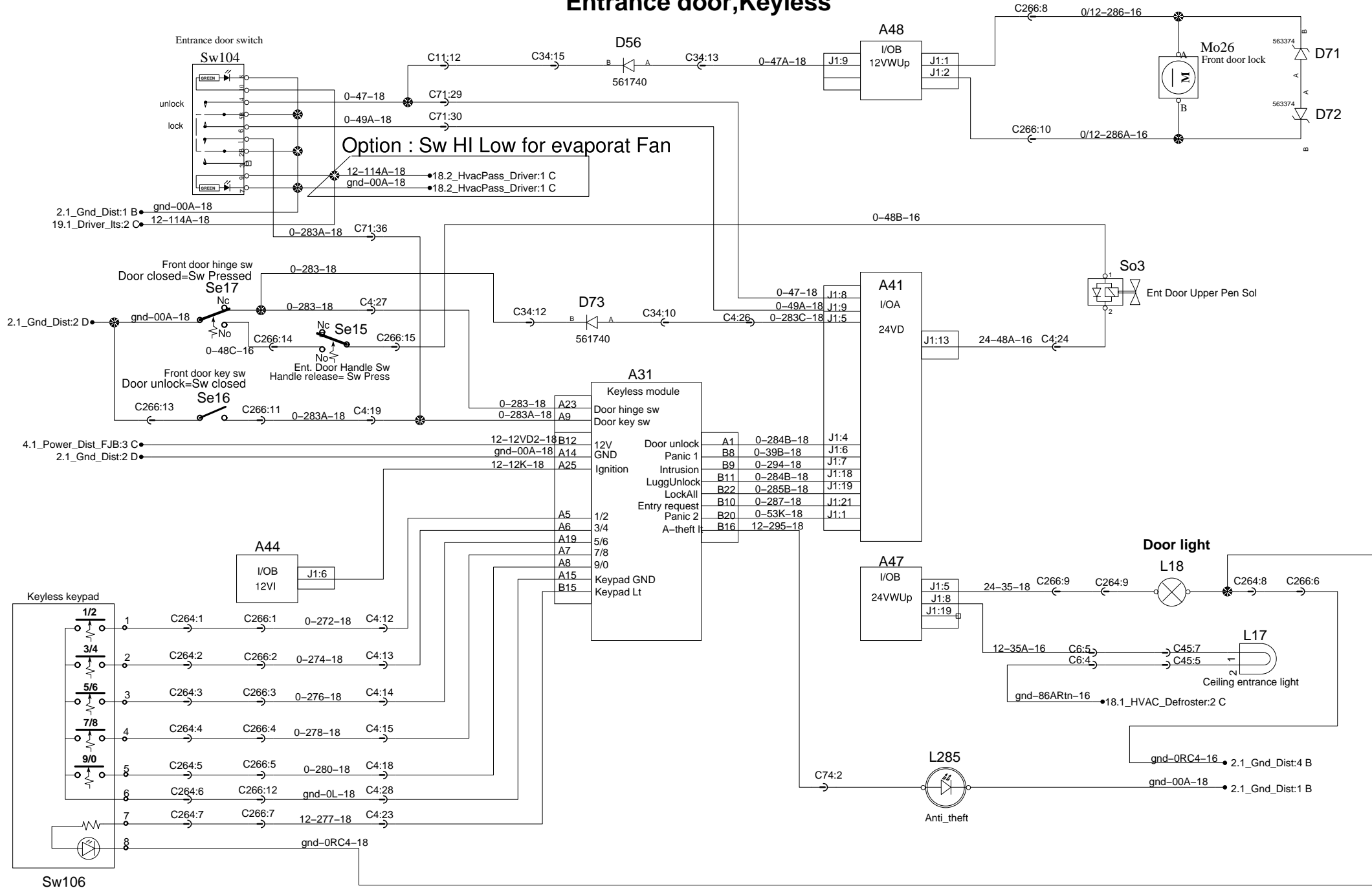
Level low control switch



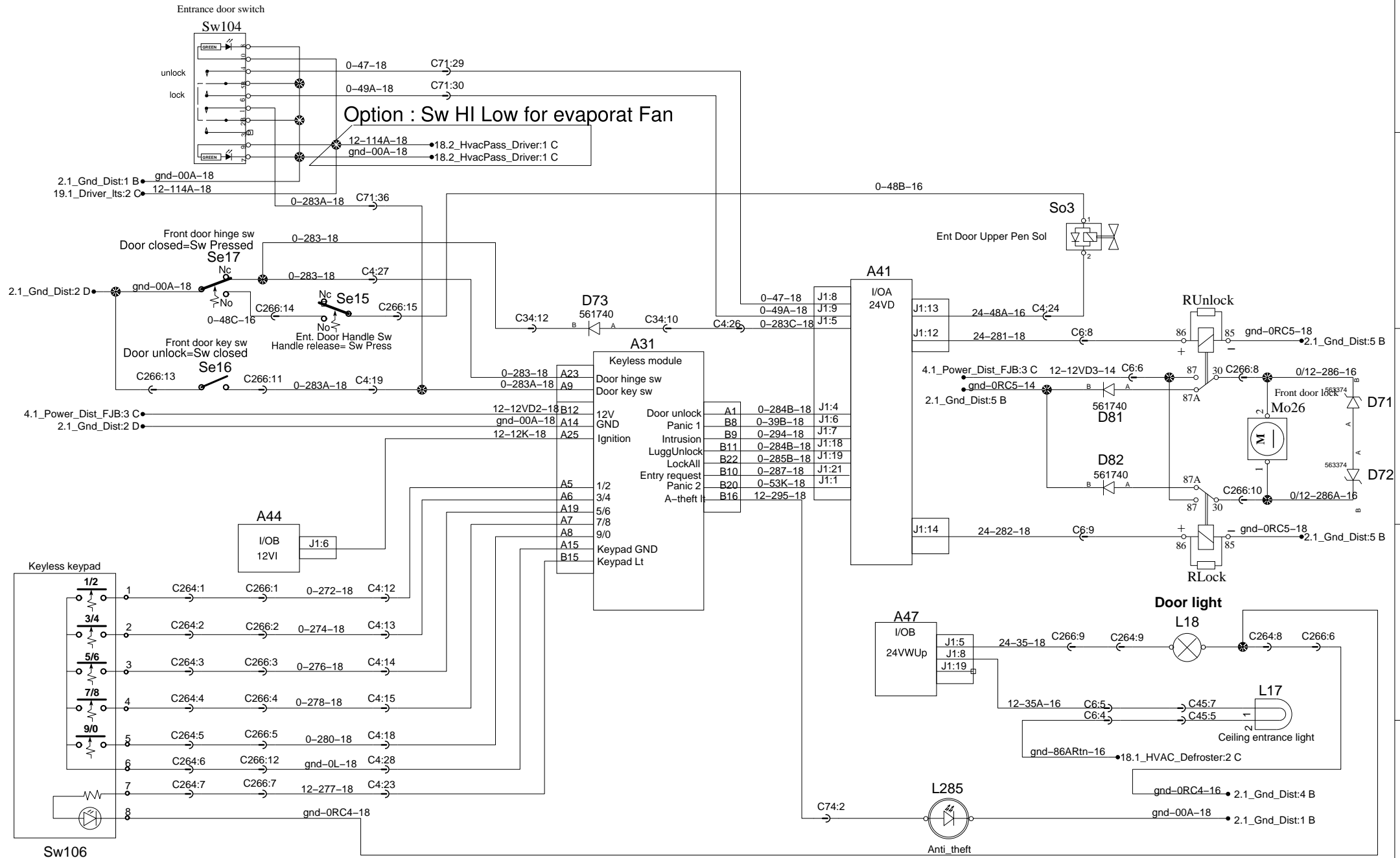
Entrance door, Keyless



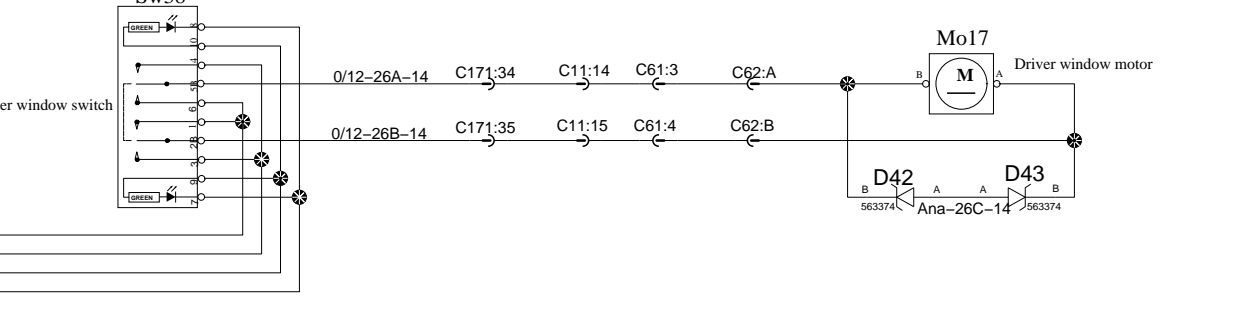
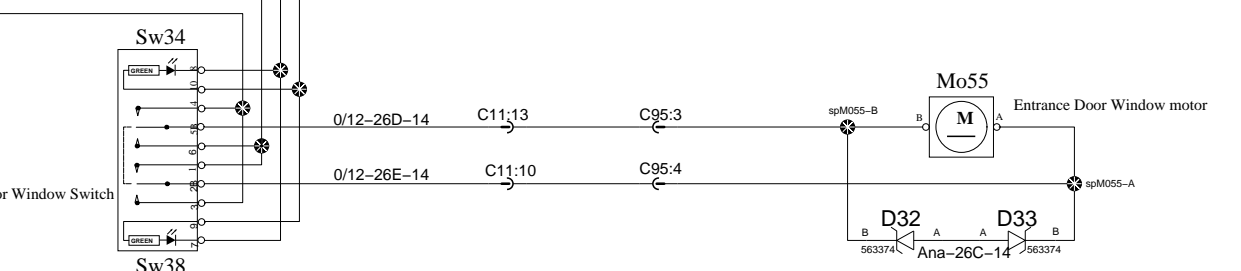
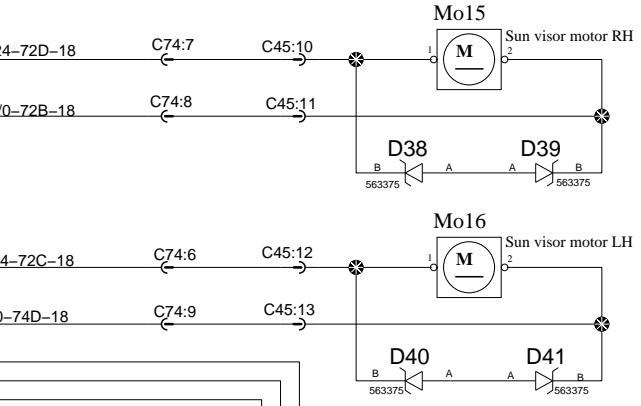
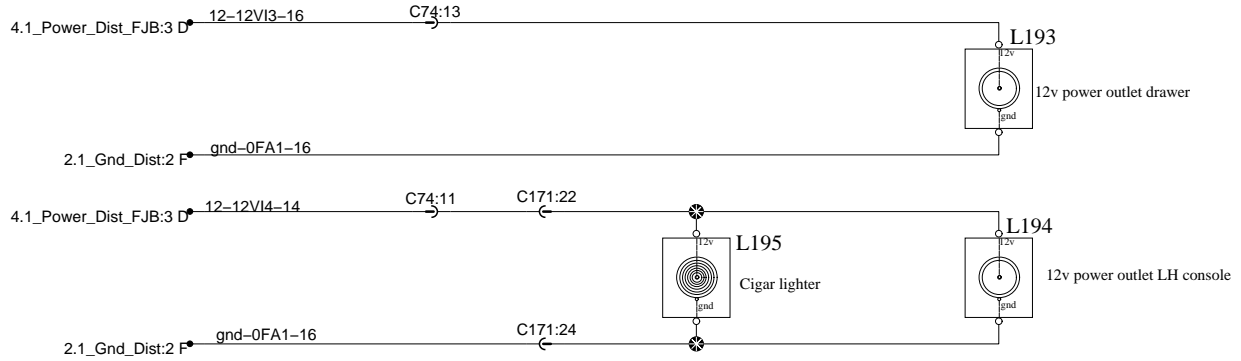
Entrance door, Keyless



Entrance door, Keyless



Sun Visor, Driver and Entrance Window and 12V Outlet



Sun visor switch RH

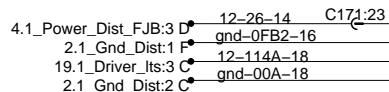
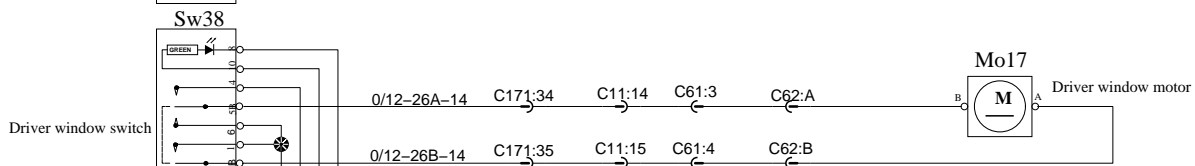
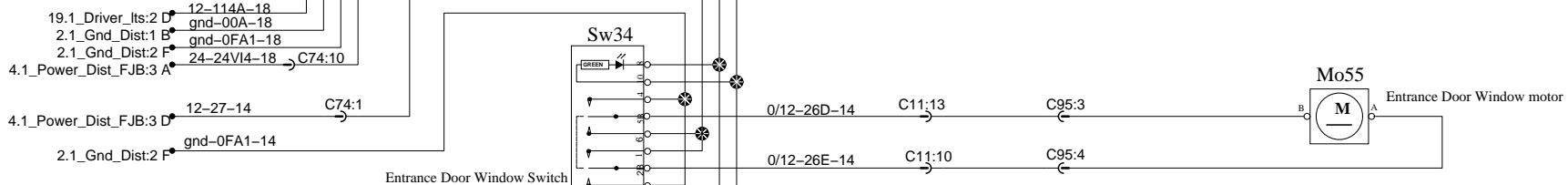
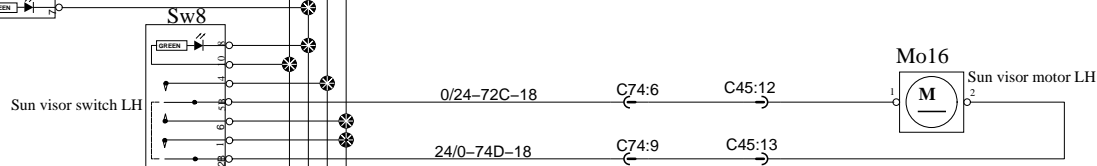
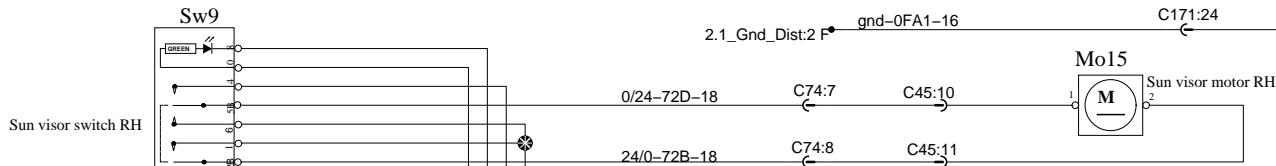
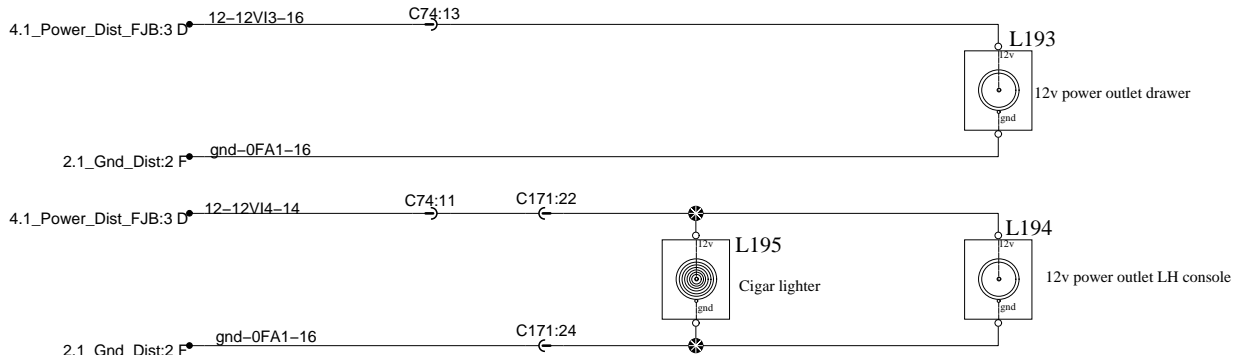
Sun visor switch LH

Entrance Door Window Switch

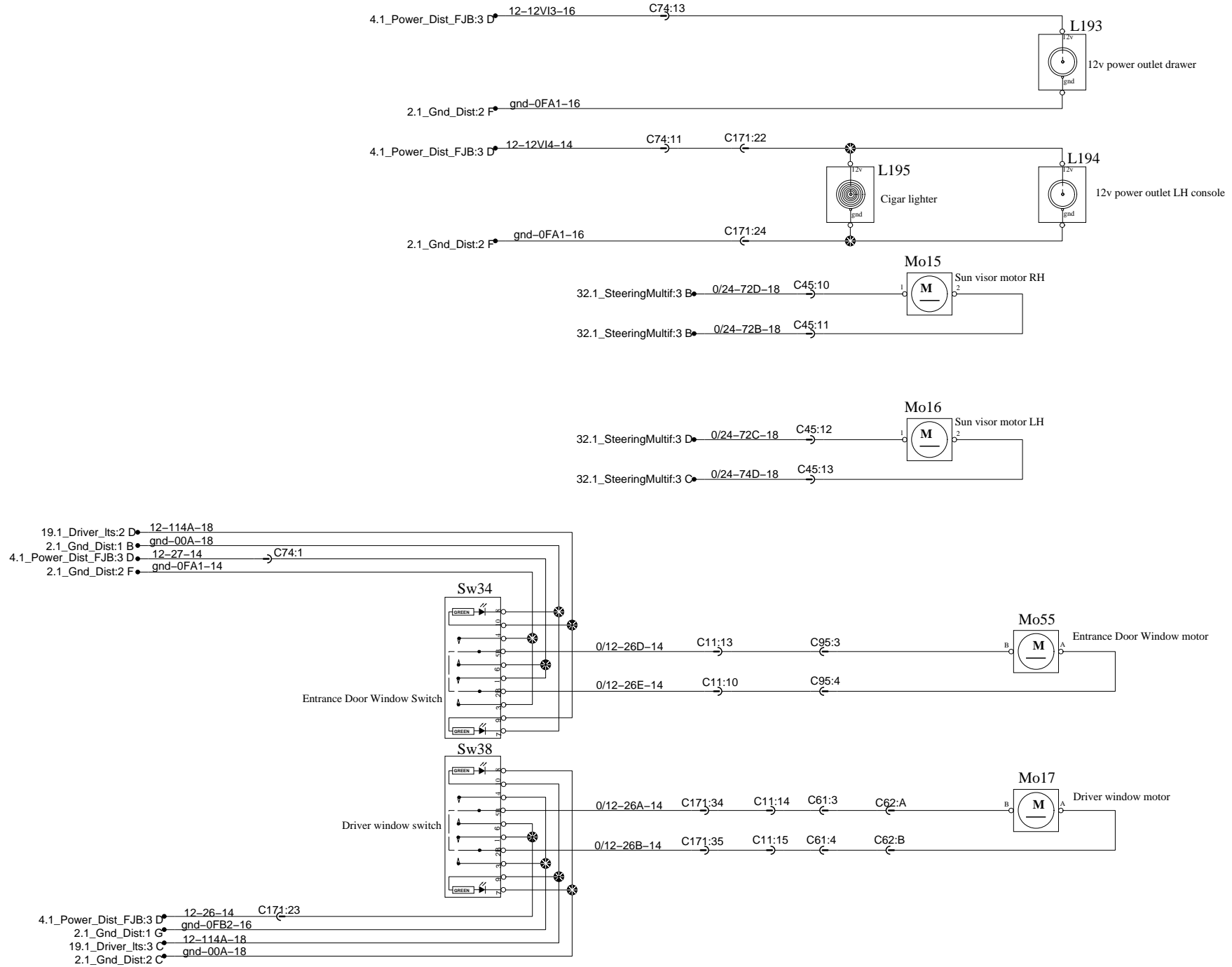
Driver window switch

- 19.1_Driver_Its:2 D 12-114A-18
- 2.1_Gnd_Dist:1 B gnd-00A-18
- 2.1_Gnd_Dist:2 F gnd-0FA1-18
- 4.1_Power_Dist_FJB:3 A 24-24VI4-18 → C74:10
- 4.1_Power_Dist_FJB:3 D 12-27-14 → C74:1
- 2.1_Gnd_Dist:2 F gnd-0FA1-14
- 4.1_Power_Dist_FJB:3 D 12-26-14 → C171:23
- 2.1_Gnd_Dist:1 F gnd-0FB2-16
- 19.1_Driver_Its:3 C 12-114A-18
- 2.1_Gnd_Dist:2 C gnd-00A-18

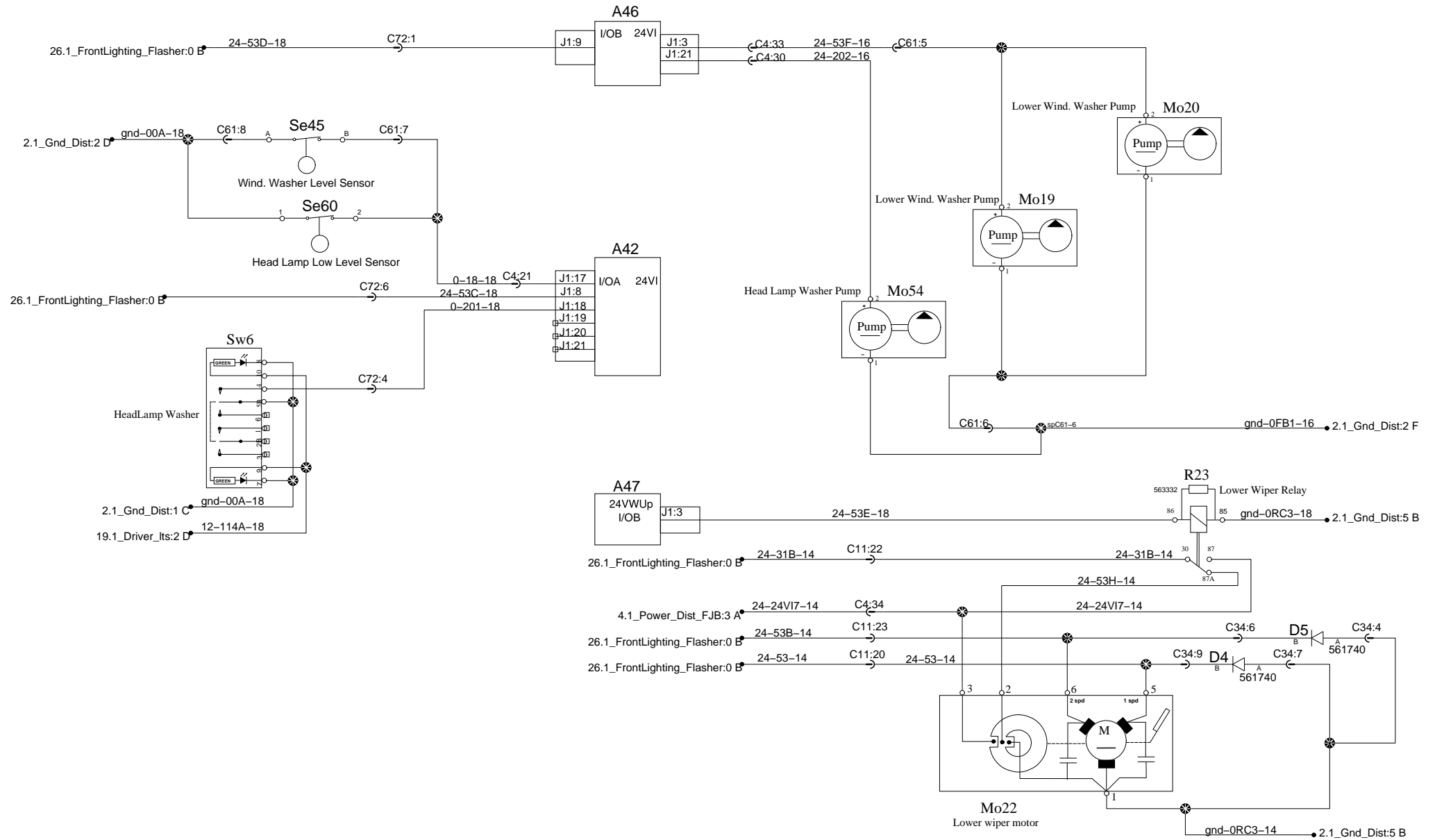
Sun Visor, Driver and Entrance Window and 12V Outlet



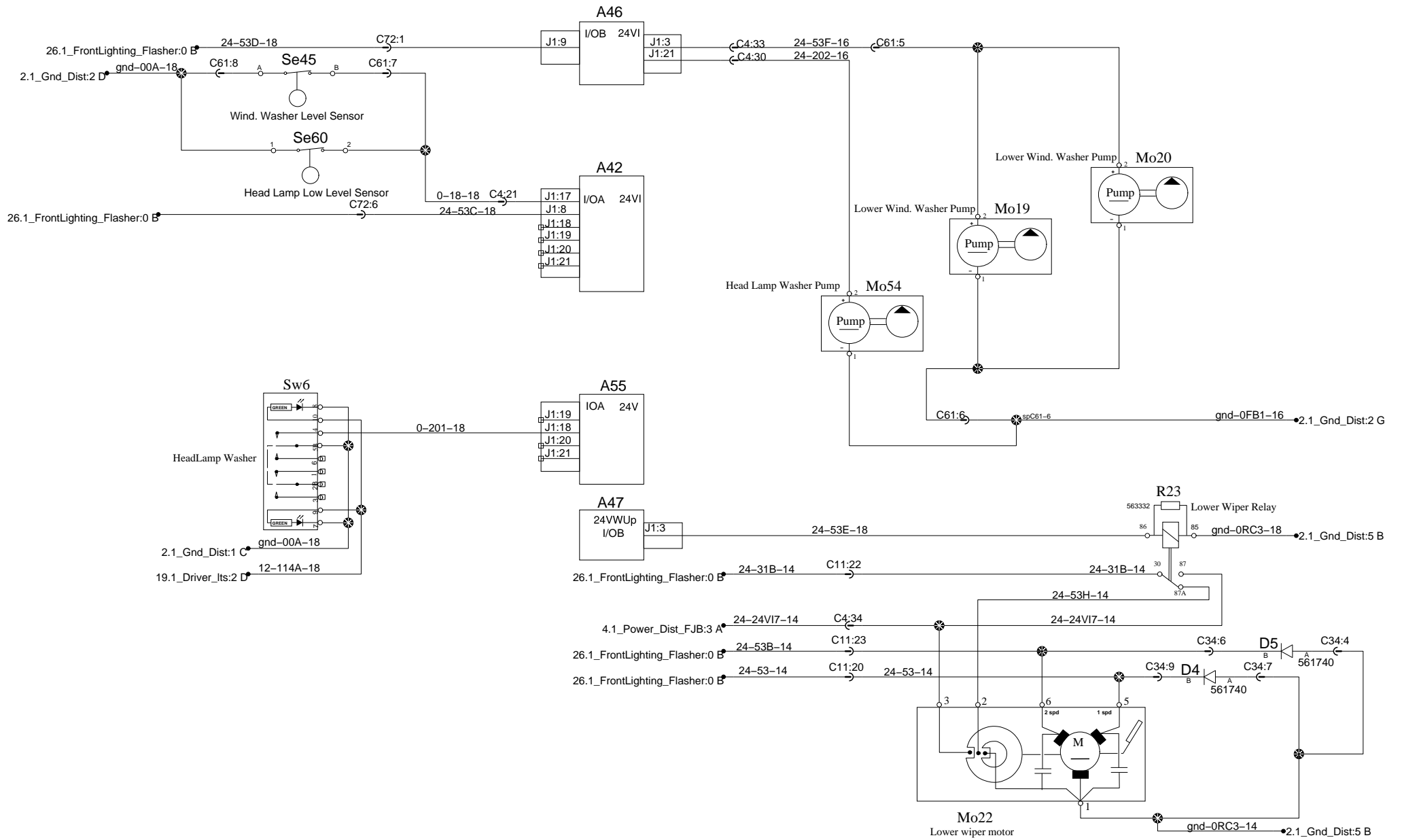
Sun Visor, Driver and Entrance Window and 12V Outlet



Wiper and washer

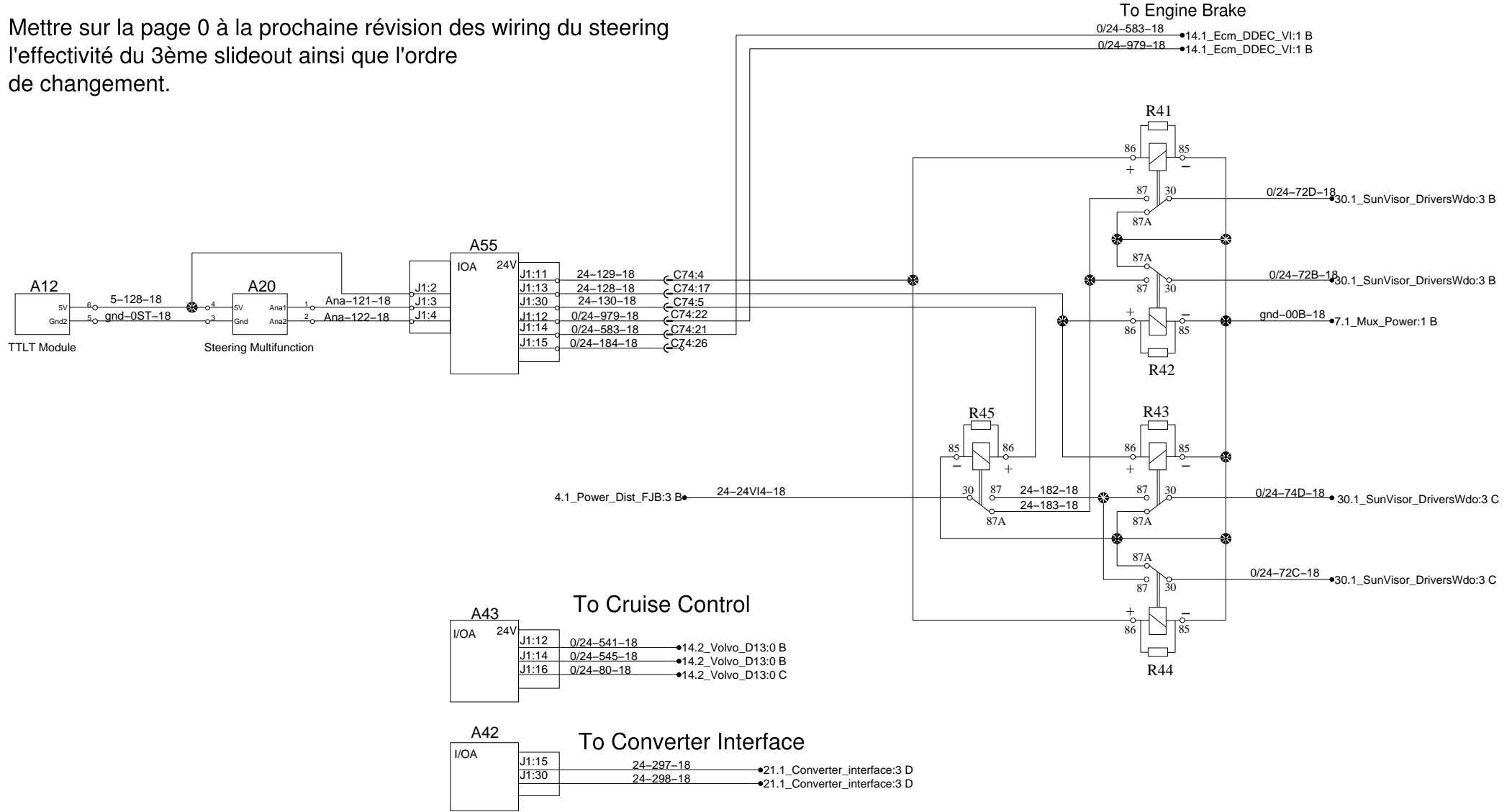


Wiper and washer

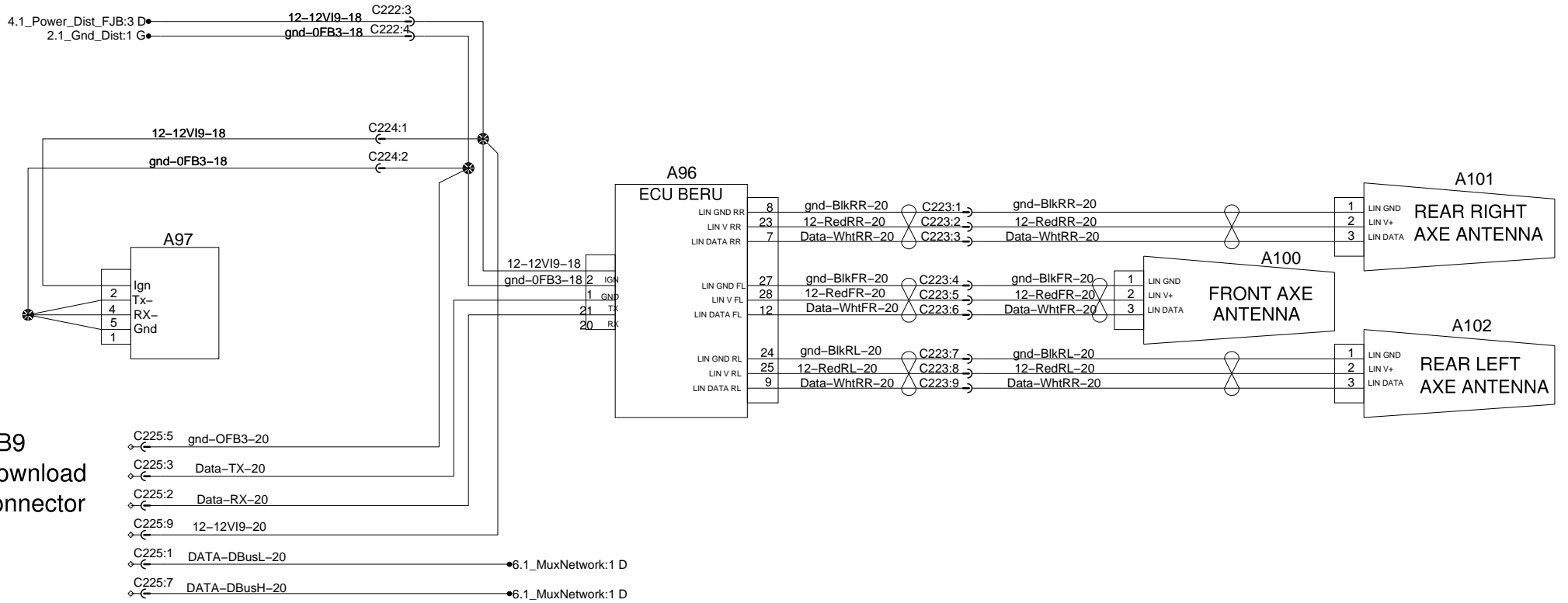


Steering Multifunctions

Mettre sur la page 0 à la prochaine révision des wiring du steering l'effectivité du 3ème slideout ainsi que l'ordre de changement.



Tire Pressure Monitoring System



0

1

2

3

4

A

A

Electric Air Dryer



B

B

C

C

D

D

E

E

0

1

2

3

4

